



RANCHO MURIETA COMMUNITY SERVICES DISTRICT

15160 Jackson Road, Rancho Murieta, CA 95683
Office - 916-354-3700 * Fax - 916-354-2082

IMPROVEMENTS COMMITTEE (Directors Randy Jenco and Martin Pohl)

Regular Meeting
May 7, 2024 at 8:00 a.m.

All persons present at District meetings will place their cellular devices in silent and/or vibrate mode (no ringing of any kind). During meetings, these devices will be used only for emergency purposes and, if used, the party called/calling will exit the meeting room for conversation. Other electronic and internet enabled devices are to be used in the "silent" mode. Under no circumstances will recording devices or problems associated with them be permitted to interrupt or delay District meetings.

AGENDA

1. **Call to Order**
2. **Improvements Staff Report**
 - A. *Discussion Item* **Lumos & Associates CIP Study Presentation**
 - B. *Discussion Item* **SB 170 Projects update**
 - C. *Discussion Item* **Rio Oso Communication**
 - D. *Discussion Item* **Wooden Bridge Transfer to Rancho Murieta Association**
3. **Comments from the Public**

If you wish to speak during Comments from the Public or would like to comment regarding an item appearing on the meeting agenda, please complete a public comment card and submit to the Board Secretary prior to Public Comments. We will hold all comments to the Public Comment section.
4. **Director and Staff Comments/Suggestions**
5. **Adjournment**

"In accordance with California Government Code Section 54957.5, any writing or document that is a public record, relates to an open session agenda item and is distributed less than 24 hours prior to a special meeting, will be made available for public inspection in the District offices during normal business hours. If, however, the document is not distributed until the regular meeting to which it relates, then the document or writing will be made available to the public at the location of the meeting."

In compliance with the Americans with Disabilities Act if you are an individual with a disability and you need a disability-related modification or accommodation to participate in this meeting or need assistance to participate in this teleconference meeting, please contact the District Office at 916-354-3700 or awilder@rmcsd.com. Requests must be made as soon as possible.

Note: This agenda is posted pursuant to the provisions of the Government Code commencing at Section 54950. The date of this posting is May 3, 2024. Posting locations are: 1) District Office; 2) Post Office; 3) Rancho Murieta Association; 4) Murieta Village Association.

MEMORANDUM

Date: May 7, 2024
To: Improvements Committee
From: Travis Bohannon – Interim Director of Operations
Subject: Monthly Improvements Committee Updates

A. Lumos & Associates CIP Study Presentation

On August 28, 2023, the district entered into a contract Lumos & Associates to perform the District Capital Improvements Planning and 5-year rate study.

Lumos & Associates will be presenting a partial update which will include the district's Asset Inventory and a draft Capital Improvement Planning spreadsheet.

B. SB 170 PROJECTS

Water Treatment Facility Sodium Hypochlorite Conversion – The 100% design is completed.

Recycled Water Disinfection Project – Dewberry has provided a 30% completion drawing and after discussing and suggested changes, Dewberry is expected to have 90% design completed in late May, with the 100% design likely completed in July of 2024.

Granlees Safety Improvements – The District has sent the contract to NMI Industrial for their review and signature.

C. Rio Oso Communication

We had another issue with the communication between Rio Oso tank and the water plant on Friday night April 26, 2024 and had to call AT&T for assistance, which took AT&T several days to analyze and fix the issue. As the Rio Oso tank is critical to providing water to many residents in the community, and the current arrangement with AT&T has become unreliable, the District should consider alternatives for the way the tank communicates with the water plant. Staff is in the process of obtaining quotes to determine costs for replacing the current AT&T System with a radio system.

D. Wooden Bridge Transfer to RMA

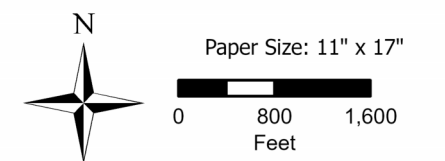
Attached is the draft transfer agreement and a 2022 title report for the bridge property. The transfer agreement would, if approved by RMCS and RMA, transfer the bridge property to RMA with an access easement reserved back to RMCS. If this item is approved by the Improvements Committee, it will be forwarded to the RMA for approval and then to the Board for approval.

(c)LUMOS & ASSOCIATES, INC.: THIS DRAWING IS THE
 PROPERTY OF LUMOS & ASSOCIATES, INC... USE OR
 REPRODUCTION OF THIS DRAWING, IN WHOLE OR IN
 PART, WITHOUT THE WRITTEN PERMISSION OF
 LUMOS & ASSOCIATES, INC. IS STRICTLY PROHIBITED.
 THIS DRAWING IS NOT TO BE USED FOR ANY PROJECT
 OTHER THAN THE PROJECT FOR WHICH IT WAS
 PREPARED.

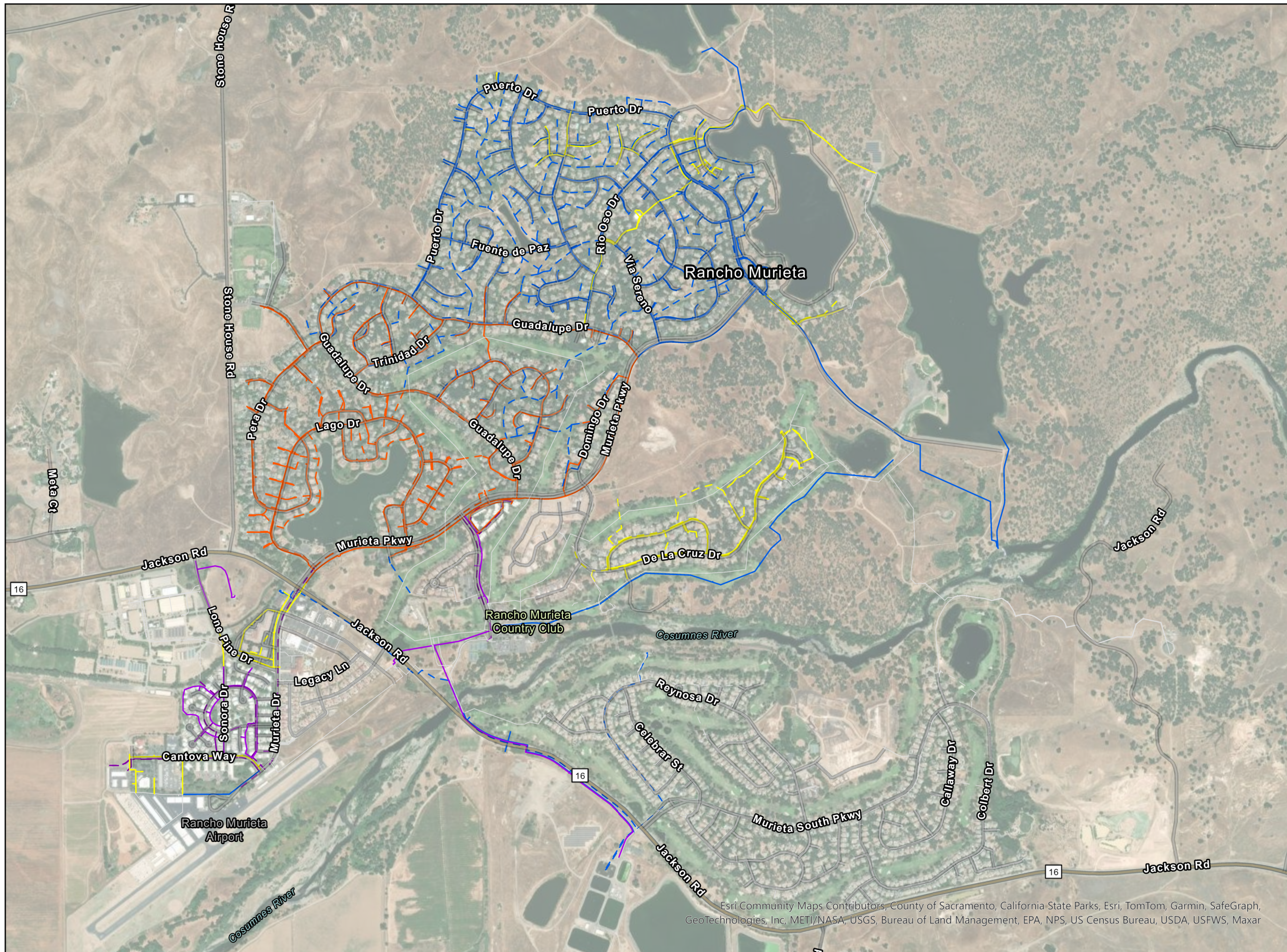
20 YR CIP SEWER AND WATER SYSTEM - RMCSO OVERALL MAP VIEW

LEGEND

- Legend
- RMCSO WATER SYSTEM
- YEAR_INST
- 0-5 Years
 - 5-9 Years
 - 10-14 Years
 - 15-20 Years
 - Outside 20 Yr CIP
- RMCSO SEWER SYSTEM
- YEAR_INST
- - - 0-5 Years
 - - - 5-9 Years
 - - - 10-14 Years
 - - - 15-20 Years
 - - - Outside 20Yr CIP



Date: 5/1/2024
 Project #: 11111.000
 Revision: 0



Esri Community Maps Contributors, County of Sacramento, California State Parks, Esri, TomTom, Garmin, SafeGraph,
 GeoTechnologies, Inc, METI/NASA-USGS, Bureau of Land Management, EPA, NPS, US Census Bureau, USDA, USFWS, Maxar

RMCS D APPURTENANCE INVENTORY (DRAFT)

ID	Item	Material	System	Quantity	Install Year	AGE	Est Life	Estimated Remaining Life	Replacement Year
GV-569	GV	ACP	Treated	1	1969	55	55	0	2024
JCT-520	JCT	ACP	Treated	1	1969	55	55	0	2024
JCT-566	JCT	ACP	Treated	1	1969	55	55	0	2024
JCT-567	JCT	ACP	Treated	1	1969	55	55	0	2024
MH-674	MH	ACP	Gravity	1	1969	55	55	0	2024
MH-675	MH	ACP	Gravity	1	1969	55	55	0	2024
MH-701	MH	ACP	Gravity	1	1969	55	55	0	2024
MH-702	MH	ACP	Gravity	1	1969	55	55	0	2024
MH-703	MH	ACP	Gravity	1	1969	55	55	0	2024
MH-704	MH	ACP	Gravity	1	1969	55	55	0	2024
MH-705	MH	ACP	Gravity	1	1969	55	55	0	2024
MH-706	MH	ACP	Gravity	1	1969	55	55	0	2024
MH-707	MH	ACP	Gravity	1	1969	55	55	0	2024
MH-708	MH	ACP	Gravity	1	1969	55	55	0	2024
MH-709	MH	ACP	Gravity	1	1969	55	55	0	2024
MH-710	MH	ACP	Gravity	1	1969	55	55	0	2024
MH-711	MH	ACP	Gravity	1	1969	55	55	0	2024
MH-712	MH	ACP	Gravity	1	1969	55	55	0	2024
MH-713	MH	ACP	Gravity	1	1969	55	55	0	2024
GV-570	GV	ACP	Treated	1	1969	55	55	0	2024
GV-571	GV	ACP	Treated	1	1969	55	55	0	2024
FH-260	FH	ACP	Treated	1	1971	53	55	2	2026
FH-261	FH	ACP	Treated	1	1971	53	55	2	2026
GV-1011	GV	ACP	Treated	1	1971	53	55	2	2026
GV-1143	GV	ACP	Treated	1	1971	53	55	2	2026
GV-1145	GV	ACP	Treated	1	1971	53	55	2	2026
GV-866	GV	ACP	Treated	1	1971	53	55	2	2026
GV-876	GV	ACP	Treated	1	1971	53	55	2	2026
GV-877	GV	ACP	Treated	1	1971	53	55	2	2026
GV-878	GV	ACP	Treated	1	1971	53	55	2	2026
GV-879	GV	ACP	Treated	1	1971	53	55	2	2026
GV-880	GV	ACP	Treated	1	1971	53	55	2	2026
GV-881	GV	ACP	Treated	1	1971	53	55	2	2026
GV-882	GV	ACP	Treated	1	1971	53	55	2	2026
GV-883	GV	ACP	Treated	1	1971	53	55	2	2026
GV-884	GV	ACP	Treated	1	1971	53	55	2	2026
GV-885	GV	ACP	Treated	1	1971	53	55	2	2026
GV-886	GV	ACP	Treated	1	1971	53	55	2	2026
GV-887	GV	ACP	Treated	1	1971	53	55	2	2026
GV-888	GV	ACP	Treated	1	1971	53	55	2	2026
GV-889	GV	ACP	Treated	1	1971	53	55	2	2026
GV-890	GV	ACP	Treated	1	1971	53	55	2	2026
GV-907	GV	ACP	Treated	1	1971	53	55	2	2026
GV-908	GV	ACP	Treated	1	1971	53	55	2	2026
GV-909	GV	ACP	Treated	1	1971	53	55	2	2026
GV-910	GV	ACP	Treated	1	1971	53	55	2	2026
GV-974	GV	ACP	Treated	1	1971	53	55	2	2026
GV-975	GV	ACP	Treated	1	1971	53	55	2	2026
GV-976	GV	ACP	Treated	1	1971	53	55	2	2026
GV-981	GV	ACP	Treated	1	1971	53	55	2	2026
GV-984	GV	ACP	Treated	1	1971	53	55	2	2026
GV-985	GV	ACP	Treated	1	1971	53	55	2	2026
GV-986	GV	ACP	Treated	1	1971	53	55	2	2026
GV-987	GV	ACP	Treated	1	1971	53	55	2	2026
GV-988	GV	ACP	Treated	1	1971	53	55	2	2026
GV-989	GV	ACP	Treated	1	1971	53	55	2	2026
GV-996	GV	ACP	Treated	1	1971	53	55	2	2026
GV-997	GV	ACP	Treated	1	1971	53	55	2	2026
GV-998	GV	ACP	Treated	1	1971	53	55	2	2026
JCT-777	JCT	ACP	Treated	1	1971	53	55	2	2026
JCT-778	JCT	ACP	Treated	1	1971	53	55	2	2026
JCT-779	JCT	ACP	Treated	1	1971	53	55	2	2026
JCT-780	JCT	ACP	Treated	1	1971	53	55	2	2026
JCT-781	JCT	ACP	Treated	1	1971	53	55	2	2026
JCT-782	JCT	ACP	Treated	1	1971	53	55	2	2026
JCT-783	JCT	ACP	Treated	1	1971	53	55	2	2026
JCT-784	JCT	ACP	Treated	1	1971	53	55	2	2026

RMCS D APPURTENANCE INVENTORY (DRAFT)

ID	Item	Material	System	Quantity	Install Year	AGE	Est Life	Estimated Remaining Life	Replacement Year
JCT-785	JCT	ACP	Treated	1	1971	53	55	2	2026
JCT-786	JCT	ACP	Treated	1	1971	53	55	2	2026
JCT-787	JCT	ACP	Treated	1	1971	53	55	2	2026
JCT-788	JCT	ACP	Treated	1	1971	53	55	2	2026
JCT-789	JCT	ACP	Treated	1	1971	53	55	2	2026
JCT-790	JCT	ACP	Treated	1	1971	53	55	2	2026
JCT-798	JCT	ACP	Treated	1	1971	53	55	2	2026
JCT-799	JCT	ACP	Treated	1	1971	53	55	2	2026
JCT-846	JCT	ACP	Treated	1	1971	53	55	2	2026
JCT-847	JCT	ACP	Treated	1	1971	53	55	2	2026
JCT-849	JCT	ACP	Treated	1	1971	53	55	2	2026
JCT-850	JCT	ACP	Treated	1	1971	53	55	2	2026
JCT-851	JCT	ACP	Treated	1	1971	53	55	2	2026
JCT-852	JCT	ACP	Treated	1	1971	53	55	2	2026
JCT-853	JCT	ACP	Treated	1	1971	53	55	2	2026
JCT-854	JCT	ACP	Treated	1	1971	53	55	2	2026
JCT-855	JCT	ACP	Treated	1	1971	53	55	2	2026
JCT-856	JCT	ACP	Treated	1	1971	53	55	2	2026
JCT-857	JCT	ACP	Treated	1	1971	53	55	2	2026
JCT-858	JCT	ACP	Treated	1	1971	53	55	2	2026
JCT-859	JCT	ACP	Treated	1	1971	53	55	2	2026
JCT-860	JCT	ACP	Treated	1	1971	53	55	2	2026
JCT-861	JCT	ACP	Treated	1	1971	53	55	2	2026
JCT-862	JCT	ACP	Treated	1	1971	53	55	2	2026
JCT-956	JCT	ACP	Treated	1	1971	53	55	2	2026
CO-117	CO	AC	Gravity	1	1971	53	55	2	2026
CO-118	CO	AC	Gravity	1	1971	53	55	2	2026
CO-140	CO	AC	Gravity	1	1971	53	55	2	2026
MH-714	MH	AC	Gravity	1	1971	53	55	2	2026
MH-715	MH	AC	Gravity	1	1971	53	55	2	2026
MH-716	MH	AC	Gravity	1	1971	53	55	2	2026
MH-717	MH	AC	Gravity	1	1971	53	55	2	2026
MH-718	MH	AC	Gravity	1	1971	53	55	2	2026
MH-719	MH	AC	Gravity	1	1971	53	55	2	2026
MH-720	MH	AC	Gravity	1	1971	53	55	2	2026
MH-721	MH	AC	Gravity	1	1971	53	55	2	2026
MH-722	MH	AC	Gravity	1	1971	53	55	2	2026
MH-723	MH	AC	Gravity	1	1971	53	55	2	2026
MH-730	MH	AC	Gravity	1	1971	53	55	2	2026
MH-731	MH	AC	Gravity	1	1971	53	55	2	2026
MH-732	MH	AC	Gravity	1	1971	53	55	2	2026
MH-733	MH	AC	Gravity	1	1971	53	55	2	2026
MH-734	MH	AC	Gravity	1	1971	53	55	2	2026
MH-735	MH	AC	Gravity	1	1971	53	55	2	2026
FH-255	FH	ACP	Treated	1	1971	53	55	2	2026
FH-257	FH	ACP	Treated	1	1971	53	55	2	2026
FH-258	FH	ACP	Treated	1	1971	53	55	2	2026
FH-259	FH	ACP	Treated	1	1971	53	55	2	2026
FH-262	FH	ACP	Treated	1	1971	53	55	2	2026
FH-263	FH	ACP	Treated	1	1971	53	55	2	2026
FH-266	FH	ACP	Treated	1	1971	53	55	2	2026
FH-256	FH	ACP	Treated	1	1971	53	55	2	2026
GV-990	GV	ACP	Treated	1	1971	53	55	2	2026
GV-977	GV	ACP	Treated	1	1971	53	55	2	2026
GV-983	GV	ACP	Treated	1	1971	53	55	2	2026
GV-991	GV	ACP	Treated	1	1971	53	55	2	2026
GV-995	GV	ACP	Treated	1	1971	53	55	2	2026
GV-1144	GV	ACP	Treated	1	1971	53	55	2	2026
CAP-32	CAP	ACP	Treated	1	1973	51	55	4	2028
GV-485	GV	ACP	Treated	1	1973	51	55	4	2028
GV-490	GV	ACP	Treated	1	1973	51	55	4	2028
GV-491	GV	ACP	Treated	1	1973	51	55	4	2028
GV-921	GV	ACP	Reclaimed	1	1973	51	55	4	2028
GV-923	GV	ACP	Treated	1	1973	51	55	4	2028
JCT-495	JCT	ACP	Reclaimed	1	1973	51	55	4	2028
JCT-496	JCT	ACP	Reclaimed	1	1973	51	55	4	2028
JCT-497	JCT	ACP	Reclaimed	1	1973	51	55	4	2028

RMCS D APPURTENANCE INVENTORY (DRAFT)

ID	Item	Material	System	Quantity	Install Year	AGE	Est Life	Estimated Remaining Life	Replacement Year
JCT-503	JCT	ACP	Treated	1	1973	51	55	4	2028
JCT-504	JCT	ACP	Treated	1	1973	51	55	4	2028
JCT-505	JCT	ACP	Treated	1	1973	51	55	4	2028
JCT-517	JCT	ACP	Reclaimed	1	1973	51	55	4	2028
JCT-535	JCT	ACP	Treated	1	1973	51	55	4	2028
JCT-806	JCT	ACP	Treated	1	1973	51	55	4	2028
JCT-808	JCT	ACP	Reclaimed	1	1973	51	55	4	2028
MH-346	MH	AC	Gravity	1	1973	51	55	4	2028
MH-347	MH	AC	Gravity	1	1973	51	55	4	2028
MH-348	MH	AC	Gravity	1	1973	51	55	4	2028
MH-349	MH	AC	Gravity	1	1973	51	55	4	2028
MH-350	MH	AC	Gravity	1	1973	51	55	4	2028
MH-351	MH	AC	Gravity	1	1973	51	55	4	2028
MH-352	MH	AC	Gravity	1	1973	51	55	4	2028
MH-356	MH	AC	Gravity	1	1973	51	55	4	2028
MH-665	MH	ACP	Gravity	1	1973	51	55	4	2028
MH-699	MH	AC	Gravity	1	1973	51	55	4	2028
MH-700	MH	AC	Gravity	1	1973	51	55	4	2028
ARV-134	ARV	ACP	Reclaimed	1	1973	51	55	4	2028
ARV-137	ARV	ACP	Reclaimed	1	1973	51	55	4	2028
GV-832	GV	ACP	Treated	1	1973	51	55	4	2028
GV-924	GV	ACP	Treated	1	1973	51	55	4	2028
ARV-115	ARV	ACP	Treated	1	1974	50	55	5	2029
BO-137	BO	ACP	Treated	1	1974	50	55	5	2029
CAP-31	CAP	ACP	Treated	1	1974	50	55	5	2029
FH-101	FH	ACP	Treated	1	1974	50	55	5	2029
FH-110	FH	ACP	Treated	1	1974	50	55	5	2029
FH-113	FH	ACP	Treated	1	1974	50	55	5	2029
FH-115	FH	ACP	Treated	1	1974	50	55	5	2029
FH-121	FH	ACP	Treated	1	1974	50	55	5	2029
FH-127	FH	ACP	Treated	1	1974	50	55	5	2029
FH-130	FH	ACP	Treated	1	1974	50	55	5	2029
FH-131	FH	ACP	Treated	1	1974	50	55	5	2029
FH-132	FH	ACP	Treated	1	1974	50	55	5	2029
FH-133	FH	ACP	Treated	1	1974	50	55	5	2029
FH-297	FH	ACP	Treated	1	1974	50	55	5	2029
FH-318	FH	ACP	Treated	1	1974	50	55	5	2029
FH-319	FH	ACP	Treated	1	1974	50	55	5	2029
FH-79	FH	ACP	Treated	1	1974	50	55	5	2029
FH-83	FH	ACP	Treated	1	1974	50	55	5	2029
FH-89	FH	ACP	Treated	1	1974	50	55	5	2029
FH-97	FH	ACP	Treated	1	1974	50	55	5	2029
FH-99	FH	ACP	Treated	1	1974	50	55	5	2029
GV-1113	GV	ACP	Treated	1	1974	50	55	5	2029
GV-1114	GV	ACP	Treated	1	1974	50	55	5	2029
GV-1115	GV	ACP	Treated	1	1974	50	55	5	2029
GV-1117	GV	ACP	Treated	1	1974	50	55	5	2029
GV-1118	GV	ACP	Treated	1	1974	50	55	5	2029
GV-1119	GV	ACP	Treated	1	1974	50	55	5	2029
GV-1120	GV	ACP	Treated	1	1974	50	55	5	2029
GV-1121	GV	ACP	Treated	1	1974	50	55	5	2029
GV-1122	GV	ACP	Treated	1	1974	50	55	5	2029
GV-1123	GV	ACP	Treated	1	1974	50	55	5	2029
GV-1124	GV	ACP	Treated	1	1974	50	55	5	2029
GV-1125	GV	ACP	Treated	1	1974	50	55	5	2029
GV-1126	GV	ACP	Treated	1	1974	50	55	5	2029
GV-1127	GV	ACP	Treated	1	1974	50	55	5	2029
GV-1128	GV	ACP	Treated	1	1974	50	55	5	2029
GV-1129	GV	ACP	Treated	1	1974	50	55	5	2029
GV-1130	GV	ACP	Treated	1	1974	50	55	5	2029
GV-1131	GV	ACP	Treated	1	1974	50	55	5	2029
GV-1132	GV	ACP	Treated	1	1974	50	55	5	2029
GV-1133	GV	ACP	Treated	1	1974	50	55	5	2029
GV-1134	GV	ACP	Treated	1	1974	50	55	5	2029
GV-1135	GV	ACP	Treated	1	1974	50	55	5	2029
GV-1136	GV	ACP	Treated	1	1974	50	55	5	2029
GV-1137	GV	ACP	Treated	1	1974	50	55	5	2029

RMCS D APPURTENANCE INVENTORY (DRAFT)

ID	Item	Material	System	Quantity	Install Year	AGE	Est Life	Estimated Remaining Life	Replacement Year
GV-1138	GV	ACP	Treated	1	1974	50	55	5	2029
GV-1139	GV	ACP	Treated	1	1974	50	55	5	2029
GV-1140	GV	ACP	Treated	1	1974	50	55	5	2029
GV-1141	GV	ACP	Treated	1	1974	50	55	5	2029
GV-272	GV	ACP	Treated	1	1974	50	55	5	2029
GV-275	GV	ACP	Treated	1	1974	50	55	5	2029
GV-284	GV	ACP	Treated	1	1974	50	55	5	2029
GV-286	GV	ACP	Treated	1	1974	50	55	5	2029
GV-300	GV	ACP	Treated	1	1974	50	55	5	2029
GV-301	GV	ACP	Treated	1	1974	50	55	5	2029
GV-302	GV	ACP	Treated	1	1974	50	55	5	2029
GV-305	GV	ACP	Treated	1	1974	50	55	5	2029
GV-306	GV	ACP	Treated	1	1974	50	55	5	2029
GV-308	GV	ACP	Treated	1	1974	50	55	5	2029
GV-328	GV	ACP	Treated	1	1974	50	55	5	2029
GV-332	GV	ACP	Treated	1	1974	50	55	5	2029
GV-333	GV	ACP	Treated	1	1974	50	55	5	2029
GV-334	GV	ACP	Treated	1	1974	50	55	5	2029
GV-335	GV	ACP	Treated	1	1974	50	55	5	2029
GV-336	GV	ACP	Treated	1	1974	50	55	5	2029
GV-337	GV	ACP	Treated	1	1974	50	55	5	2029
GV-338	GV	ACP	Treated	1	1974	50	55	5	2029
GV-339	GV	ACP	Treated	1	1974	50	55	5	2029
GV-340	GV	ACP	Treated	1	1974	50	55	5	2029
GV-341	GV	ACP	Treated	1	1974	50	55	5	2029
GV-342	GV	ACP	Treated	1	1974	50	55	5	2029
GV-343	GV	ACP	Treated	1	1974	50	55	5	2029
GV-345	GV	ACP	Treated	1	1974	50	55	5	2029
GV-363	GV	ACP	Treated	1	1974	50	55	5	2029
GV-365	GV	ACP	Treated	1	1974	50	55	5	2029
GV-366	GV	ACP	Treated	1	1974	50	55	5	2029
GV-367	GV	ACP	Treated	1	1974	50	55	5	2029
GV-368	GV	ACP	Treated	1	1974	50	55	5	2029
GV-369	GV	ACP	Treated	1	1974	50	55	5	2029
GV-370	GV	ACP	Treated	1	1974	50	55	5	2029
GV-371	GV	ACP	Treated	1	1974	50	55	5	2029
GV-372	GV	ACP	Treated	1	1974	50	55	5	2029
GV-373	GV	ACP	Treated	1	1974	50	55	5	2029
GV-374	GV	ACP	Treated	1	1974	50	55	5	2029
GV-375	GV	ACP	Treated	1	1974	50	55	5	2029
GV-376	GV	ACP	Treated	1	1974	50	55	5	2029
GV-377	GV	ACP	Treated	1	1974	50	55	5	2029
GV-378	GV	ACP	Treated	1	1974	50	55	5	2029
GV-379	GV	ACP	Treated	1	1974	50	55	5	2029
GV-380	GV	ACP	Treated	1	1974	50	55	5	2029
GV-381	GV	ACP	Treated	1	1974	50	55	5	2029
GV-382	GV	ACP	Treated	1	1974	50	55	5	2029
GV-383	GV	ACP	Treated	1	1974	50	55	5	2029
GV-384	GV	ACP	Treated	1	1974	50	55	5	2029
GV-385	GV	ACP	Treated	1	1974	50	55	5	2029
GV-386	GV	ACP	Treated	1	1974	50	55	5	2029
GV-388	GV	ACP	Treated	1	1974	50	55	5	2029
GV-389	GV	ACP	Treated	1	1974	50	55	5	2029
GV-390	GV	ACP	Treated	1	1974	50	55	5	2029
GV-391	GV	ACP	Treated	1	1974	50	55	5	2029
GV-392	GV	ACP	Treated	1	1974	50	55	5	2029
GV-393	GV	ACP	Treated	1	1974	50	55	5	2029
GV-395	GV	ACP	Treated	1	1974	50	55	5	2029
GV-396	GV	ACP	Treated	1	1974	50	55	5	2029
GV-397	GV	ACP	Treated	1	1974	50	55	5	2029
GV-398	GV	ACP	Treated	1	1974	50	55	5	2029
GV-399	GV	ACP	Treated	1	1974	50	55	5	2029
GV-400	GV	ACP	Treated	1	1974	50	55	5	2029
GV-401	GV	ACP	Treated	1	1974	50	55	5	2029
GV-402	GV	ACP	Treated	1	1974	50	55	5	2029
GV-403	GV	ACP	Treated	1	1974	50	55	5	2029
GV-404	GV	ACP	Treated	1	1974	50	55	5	2029

RMCS D APPURTENANCE INVENTORY (DRAFT)

ID	Item	Material	System	Quantity	Install Year	AGE	Est Life	Estimated Remaining Life	Replacement Year
GV-405	GV	ACP	Treated	1	1974	50	55	5	2029
GV-406	GV	ACP	Treated	1	1974	50	55	5	2029
GV-407	GV	ACP	Treated	1	1974	50	55	5	2029
GV-408	GV	ACP	Treated	1	1974	50	55	5	2029
GV-409	GV	ACP	Treated	1	1974	50	55	5	2029
GV-410	GV	ACP	Treated	1	1974	50	55	5	2029
GV-411	GV	ACP	Treated	1	1974	50	55	5	2029
GV-412	GV	ACP	Treated	1	1974	50	55	5	2029
GV-414	GV	ACP	Treated	1	1974	50	55	5	2029
GV-415	GV	ACP	Treated	1	1974	50	55	5	2029
GV-416	GV	ACP	Treated	1	1974	50	55	5	2029
GV-418	GV	ACP	Treated	1	1974	50	55	5	2029
GV-419	GV	ACP	Treated	1	1974	50	55	5	2029
GV-420	GV	ACP	Treated	1	1974	50	55	5	2029
GV-421	GV	ACP	Treated	1	1974	50	55	5	2029
GV-422	GV	ACP	Treated	1	1974	50	55	5	2029
GV-423	GV	ACP	Treated	1	1974	50	55	5	2029
GV-424	GV	ACP	Treated	1	1974	50	55	5	2029
GV-425	GV	ACP	Treated	1	1974	50	55	5	2029
GV-426	GV	ACP	Treated	1	1974	50	55	5	2029
GV-427	GV	ACP	Treated	1	1974	50	55	5	2029
GV-428	GV	ACP	Treated	1	1974	50	55	5	2029
GV-429	GV	ACP	Treated	1	1974	50	55	5	2029
GV-431	GV	ACP	Treated	1	1974	50	55	5	2029
GV-432	GV	ACP	Treated	1	1974	50	55	5	2029
GV-433	GV	ACP	Treated	1	1974	50	55	5	2029
GV-434	GV	ACP	Treated	1	1974	50	55	5	2029
GV-435	GV	ACP	Treated	1	1974	50	55	5	2029
GV-436	GV	ACP	Treated	1	1974	50	55	5	2029
GV-437	GV	ACP	Treated	1	1974	50	55	5	2029
GV-438	GV	ACP	Treated	1	1974	50	55	5	2029
GV-439	GV	ACP	Treated	1	1974	50	55	5	2029
GV-440	GV	ACP	Treated	1	1974	50	55	5	2029
GV-441	GV	ACP	Treated	1	1974	50	55	5	2029
GV-442	GV	ACP	Treated	1	1974	50	55	5	2029
GV-443	GV	ACP	Treated	1	1974	50	55	5	2029
GV-444	GV	ACP	Treated	1	1974	50	55	5	2029
GV-445	GV	ACP	Treated	1	1974	50	55	5	2029
GV-446	GV	ACP	Treated	1	1974	50	55	5	2029
GV-447	GV	ACP	Treated	1	1974	50	55	5	2029
GV-448	GV	ACP	Treated	1	1974	50	55	5	2029
GV-449	GV	ACP	Treated	1	1974	50	55	5	2029
GV-450	GV	ACP	Treated	1	1974	50	55	5	2029
GV-451	GV	ACP	Treated	1	1974	50	55	5	2029
GV-452	GV	ACP	Treated	1	1974	50	55	5	2029
GV-453	GV	ACP	Treated	1	1974	50	55	5	2029
GV-454	GV	ACP	Treated	1	1974	50	55	5	2029
GV-512	GV	ACP	Treated	1	1974	50	55	5	2029
JCT-284	JCT	ACP	Treated	1	1974	50	55	5	2029
JCT-296	JCT	ACP	Treated	1	1974	50	55	5	2029
JCT-297	JCT	ACP	Treated	1	1974	50	55	5	2029
JCT-319	JCT	ACP	Treated	1	1974	50	55	5	2029
JCT-320	JCT	ACP	Treated	1	1974	50	55	5	2029
JCT-321	JCT	ACP	Treated	1	1974	50	55	5	2029
JCT-325	JCT	ACP	Treated	1	1974	50	55	5	2029
JCT-326	JCT	ACP	Treated	1	1974	50	55	5	2029
JCT-328	JCT	ACP	Treated	1	1974	50	55	5	2029
JCT-348	JCT	ACP	Treated	1	1974	50	55	5	2029
JCT-350	JCT	ACP	Treated	1	1974	50	55	5	2029
JCT-351	JCT	ACP	Treated	1	1974	50	55	5	2029
JCT-352	JCT	ACP	Treated	1	1974	50	55	5	2029
JCT-353	JCT	ACP	Treated	1	1974	50	55	5	2029
JCT-354	JCT	ACP	Treated	1	1974	50	55	5	2029
JCT-355	JCT	ACP	Treated	1	1974	50	55	5	2029
JCT-356	JCT	ACP	Treated	1	1974	50	55	5	2029
JCT-357	JCT	ACP	Treated	1	1974	50	55	5	2029
JCT-358	JCT	ACP	Treated	1	1974	50	55	5	2029

RMCS D APPURTENANCE INVENTORY (DRAFT)

ID	Item	Material	System	Quantity	Install Year	AGE	Est Life	Estimated Remaining Life	Replacement Year
JCT-359	JCT	ACP	Treated	1	1974	50	55	5	2029
JCT-360	JCT	ACP	Treated	1	1974	50	55	5	2029
JCT-361	JCT	ACP	Treated	1	1974	50	55	5	2029
JCT-362	JCT	ACP	Treated	1	1974	50	55	5	2029
JCT-364	JCT	ACP	Treated	1	1974	50	55	5	2029
JCT-390	JCT	ACP	Treated	1	1974	50	55	5	2029
JCT-392	JCT	ACP	Treated	1	1974	50	55	5	2029
JCT-393	JCT	ACP	Treated	1	1974	50	55	5	2029
JCT-394	JCT	ACP	Treated	1	1974	50	55	5	2029
JCT-395	JCT	ACP	Treated	1	1974	50	55	5	2029
JCT-396	JCT	ACP	Treated	1	1974	50	55	5	2029
JCT-397	JCT	ACP	Treated	1	1974	50	55	5	2029
JCT-398	JCT	ACP	Treated	1	1974	50	55	5	2029
JCT-399	JCT	ACP	Treated	1	1974	50	55	5	2029
JCT-400	JCT	ACP	Treated	1	1974	50	55	5	2029
JCT-401	JCT	ACP	Treated	1	1974	50	55	5	2029
JCT-402	JCT	ACP	Treated	1	1974	50	55	5	2029
JCT-403	JCT	ACP	Treated	1	1974	50	55	5	2029
JCT-404	JCT	ACP	Treated	1	1974	50	55	5	2029
JCT-405	JCT	ACP	Treated	1	1974	50	55	5	2029
JCT-406	JCT	ACP	Treated	1	1974	50	55	5	2029
JCT-407	JCT	ACP	Treated	1	1974	50	55	5	2029
JCT-408	JCT	ACP	Treated	1	1974	50	55	5	2029
JCT-409	JCT	ACP	Treated	1	1974	50	55	5	2029
JCT-411	JCT	ACP	Treated	1	1974	50	55	5	2029
JCT-412	JCT	ACP	Treated	1	1974	50	55	5	2029
JCT-413	JCT	ACP	Treated	1	1974	50	55	5	2029
JCT-414	JCT	ACP	Treated	1	1974	50	55	5	2029
JCT-415	JCT	ACP	Treated	1	1974	50	55	5	2029
JCT-416	JCT	ACP	Treated	1	1974	50	55	5	2029
JCT-417	JCT	ACP	Treated	1	1974	50	55	5	2029
JCT-418	JCT	ACP	Treated	1	1974	50	55	5	2029
JCT-420	JCT	ACP	Treated	1	1974	50	55	5	2029
JCT-421	JCT	ACP	Treated	1	1974	50	55	5	2029
JCT-422	JCT	ACP	Treated	1	1974	50	55	5	2029
JCT-423	JCT	ACP	Treated	1	1974	50	55	5	2029
JCT-424	JCT	ACP	Treated	1	1974	50	55	5	2029
JCT-425	JCT	ACP	Treated	1	1974	50	55	5	2029
JCT-426	JCT	ACP	Treated	1	1974	50	55	5	2029
JCT-427	JCT	ACP	Treated	1	1974	50	55	5	2029
JCT-428	JCT	ACP	Treated	1	1974	50	55	5	2029
JCT-429	JCT	ACP	Treated	1	1974	50	55	5	2029
JCT-430	JCT	ACP	Treated	1	1974	50	55	5	2029
JCT-431	JCT	ACP	Treated	1	1974	50	55	5	2029
JCT-432	JCT	ACP	Treated	1	1974	50	55	5	2029
JCT-433	JCT	ACP	Treated	1	1974	50	55	5	2029
JCT-435	JCT	ACP	Treated	1	1974	50	55	5	2029
JCT-436	JCT	ACP	Treated	1	1974	50	55	5	2029
JCT-437	JCT	ACP	Treated	1	1974	50	55	5	2029
JCT-438	JCT	ACP	Treated	1	1974	50	55	5	2029
JCT-439	JCT	ACP	Treated	1	1974	50	55	5	2029
JCT-440	JCT	ACP	Treated	1	1974	50	55	5	2029
JCT-442	JCT	ACP	Treated	1	1974	50	55	5	2029
JCT-443	JCT	ACP	Treated	1	1974	50	55	5	2029
JCT-444	JCT	ACP	Treated	1	1974	50	55	5	2029
JCT-445	JCT	ACP	Treated	1	1974	50	55	5	2029
JCT-446	JCT	ACP	Treated	1	1974	50	55	5	2029
JCT-447	JCT	ACP	Treated	1	1974	50	55	5	2029
JCT-448	JCT	ACP	Treated	1	1974	50	55	5	2029
JCT-449	JCT	ACP	Treated	1	1974	50	55	5	2029
JCT-450	JCT	ACP	Treated	1	1974	50	55	5	2029
JCT-451	JCT	ACP	Treated	1	1974	50	55	5	2029
JCT-452	JCT	ACP	Treated	1	1974	50	55	5	2029
JCT-453	JCT	ACP	Treated	1	1974	50	55	5	2029
JCT-454	JCT	ACP	Treated	1	1974	50	55	5	2029
JCT-455	JCT	ACP	Treated	1	1974	50	55	5	2029
JCT-456	JCT	ACP	Treated	1	1974	50	55	5	2029

RMCS D APPURTENANCE INVENTORY (DRAFT)

ID	Item	Material	System	Quantity	Install Year	AGE	Est Life	Estimated Remaining Life	Replacement Year
JCT-457	JCT	ACP	Treated	1	1974	50	55	5	2029
JCT-458	JCT	ACP	Treated	1	1974	50	55	5	2029
JCT-459	JCT	ACP	Treated	1	1974	50	55	5	2029
JCT-460	JCT	ACP	Treated	1	1974	50	55	5	2029
JCT-461	JCT	ACP	Treated	1	1974	50	55	5	2029
JCT-890	JCT	ACP	Treated	1	1974	50	55	5	2029
JCT-945	JCT	ACP	Treated	1	1974	50	55	5	2029
JCT-946	JCT	ACP	Treated	1	1974	50	55	5	2029
JCT-947	JCT	ACP	Treated	1	1974	50	55	5	2029
CO-224	CO	AC	Gravity	1	1974	50	55	5	2029
CO-231	CO	AC	Gravity	1	1974	50	55	5	2029
CO-232	CO	AC	Gravity	1	1974	50	55	5	2029
CO-65	CO	AC	Gravity	1	1974	50	55	5	2029
CO-70	CO	AC	Gravity	1	1974	50	55	5	2029
CO-71	CO	AC	Gravity	1	1974	50	55	5	2029
CO-72	CO	AC	Gravity	1	1974	50	55	5	2029
CO-73	CO	AC	Gravity	1	1974	50	55	5	2029
CO-74	CO	AC	Gravity	1	1974	50	55	5	2029
CO-75	CO	AC	Gravity	1	1974	50	55	5	2029
CO-76	CO	AC	Gravity	1	1974	50	55	5	2029
CO-77	CO	AC	Gravity	1	1974	50	55	5	2029
CO-83	CO	AC	Gravity	1	1974	50	55	5	2029
MH-275	MH	AC	Gravity	1	1974	50	55	5	2029
MH-276	MH	AC	Gravity	1	1974	50	55	5	2029
MH-277	MH	AC	Gravity	1	1974	50	55	5	2029
MH-287	MH	AC	Gravity	1	1974	50	55	5	2029
MH-288	MH	AC	Gravity	1	1974	50	55	5	2029
MH-289	MH	AC	Gravity	1	1974	50	55	5	2029
MH-290	MH	AC	Gravity	1	1974	50	55	5	2029
MH-320	MH	AC	Gravity	1	1974	50	55	5	2029
MH-321	MH	AC	Gravity	1	1974	50	55	5	2029
MH-322	MH	AC	Gravity	1	1974	50	55	5	2029
MH-323	MH	AC	Gravity	1	1974	50	55	5	2029
MH-324	MH	AC	Gravity	1	1974	50	55	5	2029
MH-329	MH	AC	Gravity	1	1974	50	55	5	2029
MH-330	MH	AC	Gravity	1	1974	50	55	5	2029
MH-333	MH	AC	Gravity	1	1974	50	55	5	2029
MH-334	MH	AC	Gravity	1	1974	50	55	5	2029
MH-335	MH	AC	Gravity	1	1974	50	55	5	2029
MH-336	MH	AC	Gravity	1	1974	50	55	5	2029
MH-337	MH	AC	Gravity	1	1974	50	55	5	2029
MH-341	MH	AC	Gravity	1	1974	50	55	5	2029
MH-353	MH	AC	Gravity	1	1974	50	55	5	2029
MH-354	MH	AC	Gravity	1	1974	50	55	5	2029
MH-355	MH	AC	Gravity	1	1974	50	55	5	2029
MH-357	MH	AC	Gravity	1	1974	50	55	5	2029
MH-358	MH	AC	Gravity	1	1974	50	55	5	2029
MH-359	MH	AC	Gravity	1	1974	50	55	5	2029
MH-360	MH	AC	Gravity	1	1974	50	55	5	2029
MH-361	MH	AC	Gravity	1	1974	50	55	5	2029
MH-362	MH	AC	Gravity	1	1974	50	55	5	2029
MH-363	MH	AC	Gravity	1	1974	50	55	5	2029
MH-364	MH	AC	Gravity	1	1974	50	55	5	2029
MH-365	MH	AC	Gravity	1	1974	50	55	5	2029
MH-366	MH	AC	Gravity	1	1974	50	55	5	2029
MH-367	MH	AC	Gravity	1	1974	50	55	5	2029
MH-368	MH	AC	Gravity	1	1974	50	55	5	2029
MH-369	MH	AC	Gravity	1	1974	50	55	5	2029
MH-370	MH	AC	Gravity	1	1974	50	55	5	2029
MH-371	MH	AC	Gravity	1	1974	50	55	5	2029
MH-372	MH	AC	Gravity	1	1974	50	55	5	2029
MH-373	MH	AC	Gravity	1	1974	50	55	5	2029
MH-374	MH	AC	Gravity	1	1974	50	55	5	2029
MH-376	MH	AC	Gravity	1	1974	50	55	5	2029
MH-392	MH	AC	Gravity	1	1974	50	55	5	2029
MH-396	MH	AC	Gravity	1	1974	50	55	5	2029
MH-397	MH	AC	Gravity	1	1974	50	55	5	2029

RMCS D APPURTENANCE INVENTORY (DRAFT)

ID	Item	Material	System	Quantity	Install Year	AGE	Est Life	Estimated Remaining Life	Replacement Year
MH-398	MH	AC	Gravity	1	1974	50	55	5	2029
MH-399	MH	AC	Gravity	1	1974	50	55	5	2029
MH-400	MH	AC	Gravity	1	1974	50	55	5	2029
MH-401	MH	AC	Gravity	1	1974	50	55	5	2029
MH-402	MH	AC	Gravity	1	1974	50	55	5	2029
MH-403	MH	AC	Gravity	1	1974	50	55	5	2029
MH-404	MH	AC	Gravity	1	1974	50	55	5	2029
MH-405	MH	AC	Gravity	1	1974	50	55	5	2029
MH-406	MH	AC	Gravity	1	1974	50	55	5	2029
MH-407	MH	AC	Gravity	1	1974	50	55	5	2029
MH-408	MH	AC	Gravity	1	1974	50	55	5	2029
MH-409	MH	AC	Gravity	1	1974	50	55	5	2029
MH-410	MH	AC	Gravity	1	1974	50	55	5	2029
MH-411	MH	AC	Gravity	1	1974	50	55	5	2029
MH-412	MH	AC	Gravity	1	1974	50	55	5	2029
MH-413	MH	AC	Gravity	1	1974	50	55	5	2029
MH-414	MH	AC	Gravity	1	1974	50	55	5	2029
MH-415	MH	AC	Gravity	1	1974	50	55	5	2029
MH-416	MH	AC	Gravity	1	1974	50	55	5	2029
MH-417	MH	AC	Gravity	1	1974	50	55	5	2029
MH-418	MH	AC	Gravity	1	1974	50	55	5	2029
MH-419	MH	AC	Gravity	1	1974	50	55	5	2029
MH-420	MH	AC	Gravity	1	1974	50	55	5	2029
MH-421	MH	AC	Gravity	1	1974	50	55	5	2029
MH-422	MH	AC	Gravity	1	1974	50	55	5	2029
MH-423	MH	AC	Gravity	1	1974	50	55	5	2029
MH-424	MH	AC	Gravity	1	1974	50	55	5	2029
MH-425	MH	AC	Gravity	1	1974	50	55	5	2029
MH-428	MH	AC	Gravity	1	1974	50	55	5	2029
MH-430	MH	AC	Gravity	1	1974	50	55	5	2029
MH-433	MH	AC	Gravity	1	1974	50	55	5	2029
MH-434	MH	AC	Gravity	1	1974	50	55	5	2029
MH-436	MH	AC	Gravity	1	1974	50	55	5	2029
MH-437	MH	AC	Gravity	1	1974	50	55	5	2029
MH-438	MH	AC	Gravity	1	1974	50	55	5	2029
MH-440	MH	AC	Gravity	1	1974	50	55	5	2029
MH-444	MH	AC	Gravity	1	1974	50	55	5	2029
MH-760	MH	AC	Gravity	1	1974	50	55	5	2029
MH-761	MH	AC	Gravity	1	1974	50	55	5	2029
MH-762	MH	AC	Gravity	1	1974	50	55	5	2029
MH-766	MH	AC	Gravity	1	1974	50	55	5	2029
MH-767	MH	AC	Gravity	1	1974	50	55	5	2029
GV-387	GV	ACP	Treated	1	1974	50	55	5	2029
GV-362	GV	ACP	Treated	1	1974	50	55	5	2029
GV-430	GV	ACP	Treated	1	1974	50	55	5	2029
BO-253	BO	ACP	Treated	1	1974	50	55	5	2029
BO-252	BO	ACP	Treated	1	1974	50	55	5	2029
JCT-434	JCT	ACP	Treated	1	1974	50	55	5	2029
GV-394	GV	ACP	Treated	1	1974	50	55	5	2029
BO-146	BO	ACP	Treated	1	1974	50	55	5	2029
GV-417	GV	ACP	Treated	1	1974	50	55	5	2029
BO-152	BO	ACP	Treated	1	1974	50	55	5	2029
FH-90	FH	ACP	Treated	1	1974	50	55	5	2029
FH-102	FH	ACP	Treated	1	1974	50	55	5	2029
FH-103	FH	ACP	Treated	1	1974	50	55	5	2029
JCT-391	JCT	ACP	Treated	1	1974	50	55	5	2029
FH-111	FH	ACP	Treated	1	1974	50	55	5	2029
FH-112	FH	ACP	Treated	1	1974	50	55	5	2029
FH-114	FH	ACP	Treated	1	1974	50	55	5	2029
FH-116	FH	ACP	Treated	1	1974	50	55	5	2029
BO-135	BO	ACP	Treated	1	1974	50	55	5	2029
FH-117	FH	ACP	Treated	1	1974	50	55	5	2029
FH-118	FH	ACP	Treated	1	1974	50	55	5	2029
BO-136	BO	ACP	Treated	1	1974	50	55	5	2029
FH-119	FH	ACP	Treated	1	1974	50	55	5	2029
FH-120	FH	ACP	Treated	1	1974	50	55	5	2029
BO-138	BO	ACP	Treated	1	1974	50	55	5	2029

RMCS D APPURTENANCE INVENTORY (DRAFT)

ID	Item	Material	System	Quantity	Install Year	AGE	Est Life	Estimated Remaining Life	Replacement Year
JCT-410	JCT	ACP	Treated	1	1974	50	55	5	2029
FH-122	FH	ACP	Treated	1	1974	50	55	5	2029
FH-123	FH	ACP	Treated	1	1974	50	55	5	2029
FH-124	FH	ACP	Treated	1	1974	50	55	5	2029
BO-140	BO	ACP	Treated	1	1974	50	55	5	2029
BO-139	BO	ACP	Treated	1	1974	50	55	5	2029
BO-142	BO	ACP	Treated	1	1974	50	55	5	2029
ARV-114	ARV	ACP	Treated	1	1974	50	55	5	2029
BO-144	BO	ACP	Treated	1	1974	50	55	5	2029
BO-143	BO	ACP	Treated	1	1974	50	55	5	2029
FH-125	FH	ACP	Treated	1	1974	50	55	5	2029
BO-145	BO	ACP	Treated	1	1974	50	55	5	2029
FH-126	FH	ACP	Treated	1	1974	50	55	5	2029
BO-147	BO	ACP	Treated	1	1974	50	55	5	2029
FH-128	FH	ACP	Treated	1	1974	50	55	5	2029
BO-148	BO	ACP	Treated	1	1974	50	55	5	2029
FH-129	FH	ACP	Treated	1	1974	50	55	5	2029
BO-149	BO	ACP	Treated	1	1974	50	55	5	2029
BO-150	BO	ACP	Treated	1	1974	50	55	5	2029
JCT-441	JCT	ACP	Treated	1	1974	50	55	5	2029
BO-151	BO	ACP	Treated	1	1974	50	55	5	2029
FH-134	FH	ACP	Treated	1	1974	50	55	5	2029
FH-135	FH	ACP	Treated	1	1974	50	55	5	2029
FH-136	FH	ACP	Treated	1	1974	50	55	5	2029
FH-137	FH	ACP	Treated	1	1974	50	55	5	2029
BO-153	BO	ACP	Treated	1	1974	50	55	5	2029
FH-138	FH	ACP	Treated	1	1974	50	55	5	2029
BO-154	BO	ACP	Treated	1	1974	50	55	5	2029
BO-155	BO	ACP	Treated	1	1974	50	55	5	2029
BO-157	BO	ACP	Treated	1	1974	50	55	5	2029
BO-156	BO	ACP	Treated	1	1974	50	55	5	2029
BO-158	BO	ACP	Treated	1	1974	50	55	5	2029
BO-159	BO	ACP	Treated	1	1974	50	55	5	2029
FH-139	FH	ACP	Treated	1	1974	50	55	5	2029
BO-160	BO	ACP	Treated	1	1974	50	55	5	2029
BO-161	BO	ACP	Treated	1	1974	50	55	5	2029
BO-162	BO	ACP	Treated	1	1974	50	55	5	2029
ARV-94	ARV	ACP	Treated	1	1974	50	55	5	2029
ARV-96	ARV	ACP	Treated	1	1974	50	55	5	2029
JCT-870	JCT	ACP	Treated	1	1974	50	55	5	2029
FH-100	FH	ACP	Treated	1	1974	50	55	5	2029
ARV-112	ARV	ACP	Treated	1	1974	50	55	5	2029
GV-1116	GV	ACP	Treated	1	1974	50	55	5	2029
ARV-113	ARV	ACP	Treated	1	1974	50	55	5	2029
GV-413	GV	ACP	Treated	1	1974	50	55	5	2029
ARV-116	ARV	ACP	Treated	1	1974	50	55	5	2029
ARV-117	ARV	ACP	Treated	1	1974	50	55	5	2029
ARV-118	ARV	ACP	Treated	1	1974	50	55	5	2029
CAP-30	CAP	ACP	Treated	1	1977	47	55	8	2032
FH-267	FH	ACP	Treated	1	1977	47	55	8	2032
GV-330	GV	ACP	Treated	1	1977	47	55	8	2032
GV-331	GV	ACP	Treated	1	1977	47	55	8	2032
GV-911	GV	ACP	Treated	1	1977	47	55	8	2032
GV-914	GV	ACP	Treated	1	1977	47	55	8	2032
GV-915	GV	ACP	Treated	1	1977	47	55	8	2032
GV-916	GV	ACP	Treated	1	1977	47	55	8	2032
GV-917	GV	ACP	Treated	1	1977	47	55	8	2032
GV-918	GV	ACP	Treated	1	1977	47	55	8	2032
GV-919	GV	ACP	Treated	1	1977	47	55	8	2032
GV-920	GV	ACP	Treated	1	1977	47	55	8	2032
JCT-349	JCT	ACP	Treated	1	1977	47	55	8	2032
JCT-801	JCT	ACP	Treated	1	1977	47	55	8	2032
JCT-802	JCT	ACP	Treated	1	1977	47	55	8	2032
JCT-803	JCT	ACP	Treated	1	1977	47	55	8	2032
JCT-804	JCT	ACP	Treated	1	1977	47	55	8	2032
JCT-805	JCT	ACP	Treated	1	1977	47	55	8	2032
JCT-807	JCT	ACP	Treated	1	1977	47	55	8	2032

RMCS APPURTENANCE INVENTORY (DRAFT)

ID	Item	Material	System	Quantity	Install Year	AGE	Est Life	Estimated Remaining Life	Replacement Year
FH-98	FH	ACP	Treated	1	1977	47	55	8	2032
GV-912	GV	ACP	Treated	1	1977	47	55	8	2032
GV-913	GV	ACP	Treated	1	1977	47	55	8	2032
ARV-102	ARV	ACP	Treated	1	1978	46	55	9	2033
ARV-106	ARV	ACP	Treated	1	1978	46	55	9	2033
ARV-107	ARV	ACP	Treated	1	1978	46	55	9	2033
ARV-110	ARV	ACP	Treated	1	1978	46	55	9	2033
ARV-75	ARV	ACP	Treated	1	1978	46	55	9	2033
ARV-76	ARV	ACP	Treated	1	1978	46	55	9	2033
ARV-77	ARV	ACP	Treated	1	1978	46	55	9	2033
ARV-80	ARV	ACP	Treated	1	1978	46	55	9	2033
ARV-81	ARV	ACP	Treated	1	1978	46	55	9	2033
ARV-82	ARV	ACP	Treated	1	1978	46	55	9	2033
ARV-83	ARV	ACP	Treated	1	1978	46	55	9	2033
ARV-84	ARV	ACP	Treated	1	1978	46	55	9	2033
ARV-86	ARV	ACP	Treated	1	1978	46	55	9	2033
ARV-87	ARV	ACP	Treated	1	1978	46	55	9	2033
ARV-88	ARV	ACP	Treated	1	1978	46	55	9	2033
ARV-89	ARV	ACP	Treated	1	1978	46	55	9	2033
ARV-91	ARV	ACP	Treated	1	1978	46	55	9	2033
ARV-92	ARV	ACP	Treated	1	1978	46	55	9	2033
ARV-93	ARV	ACP	Treated	1	1978	46	55	9	2033
ARV-97	ARV	ACP	Treated	1	1978	46	55	9	2033
ARV-99	ARV	ACP	Treated	1	1978	46	55	9	2033
BO-100	BO	ACP	Treated	1	1978	46	55	9	2033
BO-103	BO	ACP	Treated	1	1978	46	55	9	2033
BO-104	BO	ACP	Treated	1	1978	46	55	9	2033
BO-105	BO	ACP	Treated	1	1978	46	55	9	2033
BO-106	BO	ACP	Treated	1	1978	46	55	9	2033
BO-109	BO	ACP	Treated	1	1978	46	55	9	2033
BO-110	BO	ACP	Treated	1	1978	46	55	9	2033
BO-111	BO	ACP	Treated	1	1978	46	55	9	2033
BO-112	BO	ACP	Treated	1	1978	46	55	9	2033
BO-113	BO	ACP	Treated	1	1978	46	55	9	2033
BO-114	BO	ACP	Treated	1	1978	46	55	9	2033
BO-115	BO	ACP	Treated	1	1978	46	55	9	2033
BO-120	BO	ACP	Treated	1	1978	46	55	9	2033
BO-122	BO	ACP	Treated	1	1978	46	55	9	2033
BO-124	BO	ACP	Treated	1	1978	46	55	9	2033
BO-126	BO	ACP	Treated	1	1978	46	55	9	2033
BO-128	BO	ACP	Treated	1	1978	46	55	9	2033
BO-251	BO	ACP	Treated	1	1978	46	55	9	2033
BO-98	BO	ACP	Treated	1	1978	46	55	9	2033
BO-99	BO	ACP	Treated	1	1978	46	55	9	2033
FH-70	FH	ACP	Treated	1	1978	46	55	9	2033
FH-71	FH	ACP	Treated	1	1978	46	55	9	2033
FH-73	FH	ACP	Treated	1	1978	46	55	9	2033
FH-74	FH	ACP	Treated	1	1978	46	55	9	2033
FH-75	FH	ACP	Treated	1	1978	46	55	9	2033
FH-78	FH	ACP	Treated	1	1978	46	55	9	2033
FH-80	FH	ACP	Treated	1	1978	46	55	9	2033
FH-81	FH	ACP	Treated	1	1978	46	55	9	2033
FH-82	FH	ACP	Treated	1	1978	46	55	9	2033
FH-84	FH	ACP	Treated	1	1978	46	55	9	2033
FH-85	FH	ACP	Treated	1	1978	46	55	9	2033
FH-86	FH	ACP	Treated	1	1978	46	55	9	2033
FH-87	FH	ACP	Treated	1	1978	46	55	9	2033
FH-88	FH	ACP	Treated	1	1978	46	55	9	2033
FH-91	FH	ACP	Treated	1	1978	46	55	9	2033
FH-94	FH	ACP	Treated	1	1978	46	55	9	2033
GV-1076	GV	ACP	Treated	1	1978	46	55	9	2033
GV-1078	GV	ACP	Treated	1	1978	46	55	9	2033
GV-190	GV	ACP	Treated	1	1978	46	55	9	2033
GV-248	GV	ACP	Treated	1	1978	46	55	9	2033
GV-249	GV	ACP	Treated	1	1978	46	55	9	2033
GV-250	GV	ACP	Treated	1	1978	46	55	9	2033
GV-251	GV	ACP	Treated	1	1978	46	55	9	2033

RMCS D APPURTENANCE INVENTORY (DRAFT)

ID	Item	Material	System	Quantity	Install Year	AGE	Est Life	Estimated Remaining Life	Replacement Year
GV-252	GV	ACP	Treated	1	1978	46	55	9	2033
GV-254	GV	ACP	Treated	1	1978	46	55	9	2033
GV-255	GV	ACP	Treated	1	1978	46	55	9	2033
GV-256	GV	ACP	Treated	1	1978	46	55	9	2033
GV-257	GV	ACP	Treated	1	1978	46	55	9	2033
GV-258	GV	ACP	Treated	1	1978	46	55	9	2033
GV-259	GV	ACP	Treated	1	1978	46	55	9	2033
GV-260	GV	ACP	Treated	1	1978	46	55	9	2033
GV-261	GV	ACP	Treated	1	1978	46	55	9	2033
GV-262	GV	ACP	Treated	1	1978	46	55	9	2033
GV-263	GV	ACP	Treated	1	1978	46	55	9	2033
GV-264	GV	ACP	Treated	1	1978	46	55	9	2033
GV-265	GV	ACP	Treated	1	1978	46	55	9	2033
GV-266	GV	ACP	Treated	1	1978	46	55	9	2033
GV-267	GV	ACP	Treated	1	1978	46	55	9	2033
GV-270	GV	ACP	Treated	1	1978	46	55	9	2033
GV-271	GV	ACP	Treated	1	1978	46	55	9	2033
GV-273	GV	ACP	Treated	1	1978	46	55	9	2033
GV-274	GV	ACP	Treated	1	1978	46	55	9	2033
GV-276	GV	ACP	Treated	1	1978	46	55	9	2033
GV-277	GV	ACP	Treated	1	1978	46	55	9	2033
GV-278	GV	ACP	Treated	1	1978	46	55	9	2033
GV-279	GV	ACP	Treated	1	1978	46	55	9	2033
GV-280	GV	ACP	Treated	1	1978	46	55	9	2033
GV-281	GV	ACP	Treated	1	1978	46	55	9	2033
GV-282	GV	ACP	Treated	1	1978	46	55	9	2033
GV-283	GV	ACP	Treated	1	1978	46	55	9	2033
GV-285	GV	ACP	Treated	1	1978	46	55	9	2033
GV-287	GV	ACP	Treated	1	1978	46	55	9	2033
GV-288	GV	ACP	Treated	1	1978	46	55	9	2033
GV-289	GV	ACP	Treated	1	1978	46	55	9	2033
GV-290	GV	ACP	Treated	1	1978	46	55	9	2033
GV-291	GV	ACP	Treated	1	1978	46	55	9	2033
GV-292	GV	ACP	Treated	1	1978	46	55	9	2033
GV-293	GV	ACP	Treated	1	1978	46	55	9	2033
GV-294	GV	ACP	Treated	1	1978	46	55	9	2033
GV-295	GV	ACP	Treated	1	1978	46	55	9	2033
GV-296	GV	ACP	Treated	1	1978	46	55	9	2033
GV-297	GV	ACP	Treated	1	1978	46	55	9	2033
GV-298	GV	ACP	Treated	1	1978	46	55	9	2033
GV-299	GV	ACP	Treated	1	1978	46	55	9	2033
GV-303	GV	ACP	Treated	1	1978	46	55	9	2033
GV-304	GV	ACP	Treated	1	1978	46	55	9	2033
GV-307	GV	ACP	Treated	1	1978	46	55	9	2033
GV-309	GV	ACP	Treated	1	1978	46	55	9	2033
GV-310	GV	ACP	Treated	1	1978	46	55	9	2033
GV-312	GV	ACP	Treated	1	1978	46	55	9	2033
GV-313	GV	ACP	Treated	1	1978	46	55	9	2033
GV-314	GV	ACP	Treated	1	1978	46	55	9	2033
GV-315	GV	ACP	Treated	1	1978	46	55	9	2033
GV-316	GV	ACP	Treated	1	1978	46	55	9	2033
GV-317	GV	ACP	Treated	1	1978	46	55	9	2033
GV-318	GV	ACP	Treated	1	1978	46	55	9	2033
GV-319	GV	ACP	Treated	1	1978	46	55	9	2033
GV-320	GV	ACP	Treated	1	1978	46	55	9	2033
GV-321	GV	ACP	Treated	1	1978	46	55	9	2033
GV-322	GV	ACP	Treated	1	1978	46	55	9	2033
GV-323	GV	ACP	Treated	1	1978	46	55	9	2033
GV-324	GV	ACP	Treated	1	1978	46	55	9	2033
GV-325	GV	ACP	Treated	1	1978	46	55	9	2033
GV-326	GV	ACP	Treated	1	1978	46	55	9	2033
GV-327	GV	ACP	Treated	1	1978	46	55	9	2033
GV-329	GV	ACP	Treated	1	1978	46	55	9	2033
GV-344	GV	ACP	Treated	1	1978	46	55	9	2033
GV-346	GV	ACP	Treated	1	1978	46	55	9	2033
GV-347	GV	ACP	Treated	1	1978	46	55	9	2033
GV-348	GV	ACP	Treated	1	1978	46	55	9	2033

RMCS D APPURTENANCE INVENTORY (DRAFT)

ID	Item	Material	System	Quantity	Install Year	AGE	Est Life	Estimated Remaining Life	Replacement Year
GV-349	GV	ACP	Treated	1	1978	46	55	9	2033
GV-350	GV	ACP	Treated	1	1978	46	55	9	2033
GV-351	GV	ACP	Treated	1	1978	46	55	9	2033
GV-352	GV	ACP	Treated	1	1978	46	55	9	2033
GV-353	GV	ACP	Treated	1	1978	46	55	9	2033
GV-354	GV	ACP	Treated	1	1978	46	55	9	2033
GV-355	GV	ACP	Treated	1	1978	46	55	9	2033
GV-356	GV	ACP	Treated	1	1978	46	55	9	2033
GV-357	GV	ACP	Treated	1	1978	46	55	9	2033
GV-358	GV	ACP	Treated	1	1978	46	55	9	2033
GV-359	GV	ACP	Treated	1	1978	46	55	9	2033
GV-360	GV	ACP	Treated	1	1978	46	55	9	2033
GV-849	GV	ACP	Treated	1	1978	46	55	9	2033
GV-850	GV	ACP	Treated	1	1978	46	55	9	2033
GV-851	GV	ACP	Treated	1	1978	46	55	9	2033
GV-852	GV	ACP	Treated	1	1978	46	55	9	2033
GV-853	GV	ACP	Treated	1	1978	46	55	9	2033
JCT-149	JCT	ACP	Treated	1	1978	46	55	9	2033
JCT-205	JCT	ACP	Treated	1	1978	46	55	9	2033
JCT-253	JCT	ACP	Treated	1	1978	46	55	9	2033
JCT-254	JCT	ACP	Treated	1	1978	46	55	9	2033
JCT-255	JCT	ACP	Treated	1	1978	46	55	9	2033
JCT-256	JCT	ACP	Treated	1	1978	46	55	9	2033
JCT-257	JCT	ACP	Treated	1	1978	46	55	9	2033
JCT-258	JCT	ACP	Treated	1	1978	46	55	9	2033
JCT-259	JCT	ACP	Treated	1	1978	46	55	9	2033
JCT-261	JCT	ACP	Treated	1	1978	46	55	9	2033
JCT-262	JCT	ACP	Treated	1	1978	46	55	9	2033
JCT-263	JCT	ACP	Treated	1	1978	46	55	9	2033
JCT-264	JCT	ACP	Treated	1	1978	46	55	9	2033
JCT-265	JCT	ACP	Treated	1	1978	46	55	9	2033
JCT-267	JCT	ACP	Treated	1	1978	46	55	9	2033
JCT-268	JCT	ACP	Treated	1	1978	46	55	9	2033
JCT-269	JCT	ACP	Treated	1	1978	46	55	9	2033
JCT-270	JCT	ACP	Treated	1	1978	46	55	9	2033
JCT-271	JCT	ACP	Treated	1	1978	46	55	9	2033
JCT-272	JCT	ACP	Treated	1	1978	46	55	9	2033
JCT-273	JCT	ACP	Treated	1	1978	46	55	9	2033
JCT-274	JCT	ACP	Treated	1	1978	46	55	9	2033
JCT-275	JCT	ACP	Treated	1	1978	46	55	9	2033
JCT-276	JCT	ACP	Treated	1	1978	46	55	9	2033
JCT-277	JCT	ACP	Treated	1	1978	46	55	9	2033
JCT-278	JCT	ACP	Treated	1	1978	46	55	9	2033
JCT-280	JCT	ACP	Treated	1	1978	46	55	9	2033
JCT-281	JCT	ACP	Treated	1	1978	46	55	9	2033
JCT-282	JCT	ACP	Treated	1	1978	46	55	9	2033
JCT-285	JCT	ACP	Treated	1	1978	46	55	9	2033
JCT-286	JCT	ACP	Treated	1	1978	46	55	9	2033
JCT-287	JCT	ACP	Treated	1	1978	46	55	9	2033
JCT-289	JCT	ACP	Treated	1	1978	46	55	9	2033
JCT-290	JCT	ACP	Treated	1	1978	46	55	9	2033
JCT-291	JCT	ACP	Treated	1	1978	46	55	9	2033
JCT-292	JCT	ACP	Treated	1	1978	46	55	9	2033
JCT-293	JCT	ACP	Treated	1	1978	46	55	9	2033
JCT-294	JCT	ACP	Treated	1	1978	46	55	9	2033
JCT-295	JCT	ACP	Treated	1	1978	46	55	9	2033
JCT-298	JCT	ACP	Treated	1	1978	46	55	9	2033
JCT-299	JCT	ACP	Treated	1	1978	46	55	9	2033
JCT-300	JCT	ACP	Treated	1	1978	46	55	9	2033
JCT-301	JCT	ACP	Treated	1	1978	46	55	9	2033
JCT-302	JCT	ACP	Treated	1	1978	46	55	9	2033
JCT-303	JCT	ACP	Treated	1	1978	46	55	9	2033
JCT-304	JCT	ACP	Treated	1	1978	46	55	9	2033
JCT-305	JCT	ACP	Treated	1	1978	46	55	9	2033
JCT-306	JCT	ACP	Treated	1	1978	46	55	9	2033
JCT-308	JCT	ACP	Treated	1	1978	46	55	9	2033
JCT-309	JCT	ACP	Treated	1	1978	46	55	9	2033

RMCS D APPURTENANCE INVENTORY (DRAFT)

ID	Item	Material	System	Quantity	Install Year	AGE	Est Life	Estimated Remaining Life	Replacement Year
JCT-311	JCT	ACP	Treated	1	1978	46	55	9	2033
JCT-312	JCT	ACP	Treated	1	1978	46	55	9	2033
JCT-313	JCT	ACP	Treated	1	1978	46	55	9	2033
JCT-314	JCT	ACP	Treated	1	1978	46	55	9	2033
JCT-315	JCT	ACP	Treated	1	1978	46	55	9	2033
JCT-316	JCT	ACP	Treated	1	1978	46	55	9	2033
JCT-317	JCT	ACP	Treated	1	1978	46	55	9	2033
JCT-318	JCT	ACP	Treated	1	1978	46	55	9	2033
JCT-322	JCT	ACP	Treated	1	1978	46	55	9	2033
JCT-323	JCT	ACP	Treated	1	1978	46	55	9	2033
JCT-324	JCT	ACP	Treated	1	1978	46	55	9	2033
JCT-327	JCT	ACP	Treated	1	1978	46	55	9	2033
JCT-329	JCT	ACP	Treated	1	1978	46	55	9	2033
JCT-330	JCT	ACP	Treated	1	1978	46	55	9	2033
JCT-331	JCT	ACP	Treated	1	1978	46	55	9	2033
JCT-332	JCT	ACP	Treated	1	1978	46	55	9	2033
JCT-333	JCT	ACP	Treated	1	1978	46	55	9	2033
JCT-334	JCT	ACP	Treated	1	1978	46	55	9	2033
JCT-335	JCT	ACP	Treated	1	1978	46	55	9	2033
JCT-336	JCT	ACP	Treated	1	1978	46	55	9	2033
JCT-337	JCT	ACP	Treated	1	1978	46	55	9	2033
JCT-338	JCT	ACP	Treated	1	1978	46	55	9	2033
JCT-339	JCT	ACP	Treated	1	1978	46	55	9	2033
JCT-340	JCT	ACP	Treated	1	1978	46	55	9	2033
JCT-341	JCT	ACP	Treated	1	1978	46	55	9	2033
JCT-342	JCT	ACP	Treated	1	1978	46	55	9	2033
JCT-343	JCT	ACP	Treated	1	1978	46	55	9	2033
JCT-344	JCT	ACP	Treated	1	1978	46	55	9	2033
JCT-346	JCT	ACP	Treated	1	1978	46	55	9	2033
JCT-347	JCT	ACP	Treated	1	1978	46	55	9	2033
JCT-363	JCT	ACP	Treated	1	1978	46	55	9	2033
JCT-365	JCT	ACP	Treated	1	1978	46	55	9	2033
JCT-366	JCT	ACP	Treated	1	1978	46	55	9	2033
JCT-367	JCT	ACP	Treated	1	1978	46	55	9	2033
JCT-368	JCT	ACP	Treated	1	1978	46	55	9	2033
JCT-369	JCT	ACP	Treated	1	1978	46	55	9	2033
JCT-370	JCT	ACP	Treated	1	1978	46	55	9	2033
JCT-371	JCT	ACP	Treated	1	1978	46	55	9	2033
JCT-372	JCT	ACP	Treated	1	1978	46	55	9	2033
JCT-373	JCT	ACP	Treated	1	1978	46	55	9	2033
JCT-374	JCT	ACP	Treated	1	1978	46	55	9	2033
JCT-375	JCT	ACP	Treated	1	1978	46	55	9	2033
JCT-376	JCT	ACP	Treated	1	1978	46	55	9	2033
JCT-377	JCT	ACP	Treated	1	1978	46	55	9	2033
JCT-378	JCT	ACP	Treated	1	1978	46	55	9	2033
JCT-379	JCT	ACP	Treated	1	1978	46	55	9	2033
JCT-380	JCT	ACP	Treated	1	1978	46	55	9	2033
JCT-381	JCT	ACP	Treated	1	1978	46	55	9	2033
JCT-382	JCT	ACP	Treated	1	1978	46	55	9	2033
JCT-383	JCT	ACP	Treated	1	1978	46	55	9	2033
JCT-384	JCT	ACP	Treated	1	1978	46	55	9	2033
JCT-385	JCT	ACP	Treated	1	1978	46	55	9	2033
JCT-386	JCT	ACP	Treated	1	1978	46	55	9	2033
JCT-387	JCT	ACP	Treated	1	1978	46	55	9	2033
JCT-388	JCT	ACP	Treated	1	1978	46	55	9	2033
JCT-389	JCT	ACP	Treated	1	1978	46	55	9	2033
CO-22	CO	AC	Gravity	1	1978	46	55	9	2033
CO-223	CO	AC	Gravity	1	1978	46	55	9	2033
CO-23	CO	AC	Gravity	1	1978	46	55	9	2033
CO-233	CO	AC	Gravity	1	1978	46	55	9	2033
CO-234	CO	AC	Gravity	1	1978	46	55	9	2033
CO-235	CO	AC	Gravity	1	1978	46	55	9	2033
CO-236	CO	AC	Gravity	1	1978	46	55	9	2033
CO-24	CO	AC	Gravity	1	1978	46	55	9	2033
CO-66	CO	AC	Gravity	1	1978	46	55	9	2033
CO-67	CO	AC	Gravity	1	1978	46	55	9	2033
CO-68	CO	AC	Gravity	1	1978	46	55	9	2033

RMCS D APPURTENANCE INVENTORY (DRAFT)

ID	Item	Material	System	Quantity	Install Year	AGE	Est Life	Estimated Remaining Life	Replacement Year
CO-69	CO	AC	Gravity	1	1978	46	55	9	2033
CO-79	CO	AC	Gravity	1	1978	46	55	9	2033
CO-80	CO	AC	Gravity	1	1978	46	55	9	2033
CO-81	CO	AC	Gravity	1	1978	46	55	9	2033
CO-82	CO	AC	Gravity	1	1978	46	55	9	2033
MH-100	MH	AC	Gravity	1	1978	46	55	9	2033
MH-101	MH	AC	Gravity	1	1978	46	55	9	2033
MH-103	MH	AC	Gravity	1	1978	46	55	9	2033
MH-104	MH	AC	Gravity	1	1978	46	55	9	2033
MH-210	MH	AC	Gravity	1	1978	46	55	9	2033
MH-221	MH	AC	Gravity	1	1978	46	55	9	2033
MH-222	MH	AC	Gravity	1	1978	46	55	9	2033
MH-223	MH	AC	Gravity	1	1978	46	55	9	2033
MH-224	MH	AC	Gravity	1	1978	46	55	9	2033
MH-225	MH	AC	Gravity	1	1978	46	55	9	2033
MH-229	MH	AC	Gravity	1	1978	46	55	9	2033
MH-230	MH	AC	Gravity	1	1978	46	55	9	2033
MH-232	MH	AC	Gravity	1	1978	46	55	9	2033
MH-245	MH	AC	Gravity	1	1978	46	55	9	2033
MH-248	MH	AC	Gravity	1	1978	46	55	9	2033
MH-250	MH	AC	Gravity	1	1978	46	55	9	2033
MH-251	MH	AC	Gravity	1	1978	46	55	9	2033
MH-252	MH	AC	Gravity	1	1978	46	55	9	2033
MH-253	MH	AC	Gravity	1	1978	46	55	9	2033
MH-254	MH	AC	Gravity	1	1978	46	55	9	2033
MH-255	MH	AC	Gravity	1	1978	46	55	9	2033
MH-256	MH	AC	Gravity	1	1978	46	55	9	2033
MH-257	MH	AC	Gravity	1	1978	46	55	9	2033
MH-258	MH	AC	Gravity	1	1978	46	55	9	2033
MH-259	MH	AC	Gravity	1	1978	46	55	9	2033
MH-260	MH	AC	Gravity	1	1978	46	55	9	2033
MH-261	MH	AC	Gravity	1	1978	46	55	9	2033
MH-262	MH	AC	Gravity	1	1978	46	55	9	2033
MH-263	MH	AC	Gravity	1	1978	46	55	9	2033
MH-264	MH	AC	Gravity	1	1978	46	55	9	2033
MH-265	MH	AC	Gravity	1	1978	46	55	9	2033
MH-266	MH	AC	Gravity	1	1978	46	55	9	2033
MH-267	MH	AC	Gravity	1	1978	46	55	9	2033
MH-268	MH	AC	Gravity	1	1978	46	55	9	2033
MH-270	MH	AC	Gravity	1	1978	46	55	9	2033
MH-271	MH	AC	Gravity	1	1978	46	55	9	2033
MH-272	MH	AC	Gravity	1	1978	46	55	9	2033
MH-273	MH	AC	Gravity	1	1978	46	55	9	2033
MH-274	MH	AC	Gravity	1	1978	46	55	9	2033
MH-278	MH	AC	Gravity	1	1978	46	55	9	2033
MH-279	MH	AC	Gravity	1	1978	46	55	9	2033
MH-280	MH	AC	Gravity	1	1978	46	55	9	2033
MH-281	MH	AC	Gravity	1	1978	46	55	9	2033
MH-282	MH	AC	Gravity	1	1978	46	55	9	2033
MH-283	MH	AC	Gravity	1	1978	46	55	9	2033
MH-284	MH	AC	Gravity	1	1978	46	55	9	2033
MH-286	MH	AC	Gravity	1	1978	46	55	9	2033
MH-291	MH	AC	Gravity	1	1978	46	55	9	2033
MH-292	MH	AC	Gravity	1	1978	46	55	9	2033
MH-293	MH	AC	Gravity	1	1978	46	55	9	2033
MH-294	MH	AC	Gravity	1	1978	46	55	9	2033
MH-295	MH	AC	Gravity	1	1978	46	55	9	2033
MH-296	MH	AC	Gravity	1	1978	46	55	9	2033
MH-297	MH	AC	Gravity	1	1978	46	55	9	2033
MH-298	MH	AC	Gravity	1	1978	46	55	9	2033
MH-299	MH	AC	Gravity	1	1978	46	55	9	2033
MH-300	MH	AC	Gravity	1	1978	46	55	9	2033
MH-301	MH	AC	Gravity	1	1978	46	55	9	2033
MH-302	MH	AC	Gravity	1	1978	46	55	9	2033
MH-303	MH	AC	Gravity	1	1978	46	55	9	2033
MH-304	MH	AC	Gravity	1	1978	46	55	9	2033
MH-305	MH	AC	Gravity	1	1978	46	55	9	2033

RMCS D APPURTENANCE INVENTORY (DRAFT)

ID	Item	Material	System	Quantity	Install Year	AGE	Est Life	Estimated Remaining Life	Replacement Year
MH-306	MH	AC	Gravity	1	1978	46	55	9	2033
MH-308	MH	AC	Gravity	1	1978	46	55	9	2033
MH-309	MH	AC	Gravity	1	1978	46	55	9	2033
MH-310	MH	AC	Gravity	1	1978	46	55	9	2033
MH-311	MH	AC	Gravity	1	1978	46	55	9	2033
MH-312	MH	AC	Gravity	1	1978	46	55	9	2033
MH-313	MH	AC	Gravity	1	1978	46	55	9	2033
MH-314	MH	AC	Gravity	1	1978	46	55	9	2033
MH-315	MH	AC	Gravity	1	1978	46	55	9	2033
MH-316	MH	AC	Gravity	1	1978	46	55	9	2033
MH-317	MH	AC	Gravity	1	1978	46	55	9	2033
MH-318	MH	AC	Gravity	1	1978	46	55	9	2033
MH-319	MH	AC	Gravity	1	1978	46	55	9	2033
MH-381	MH	AC	Gravity	1	1978	46	55	9	2033
MH-382	MH	AC	Gravity	1	1978	46	55	9	2033
MH-383	MH	AC	Gravity	1	1978	46	55	9	2033
MH-384	MH	AC	Gravity	1	1978	46	55	9	2033
MH-385	MH	AC	Gravity	1	1978	46	55	9	2033
MH-386	MH	AC	Gravity	1	1978	46	55	9	2033
MH-387	MH	AC	Gravity	1	1978	46	55	9	2033
MH-388	MH	AC	Gravity	1	1978	46	55	9	2033
MH-389	MH	AC	Gravity	1	1978	46	55	9	2033
MH-390	MH	AC	Gravity	1	1978	46	55	9	2033
MH-391	MH	AC	Gravity	1	1978	46	55	9	2033
MH-393	MH	AC	Gravity	1	1978	46	55	9	2033
MH-394	MH	AC	Gravity	1	1978	46	55	9	2033
MH-395	MH	AC	Gravity	1	1978	46	55	9	2033
MH-76	MH	AC	Gravity	1	1978	46	55	9	2033
MH-763	MH	AC	Gravity	1	1978	46	55	9	2033
MH-764	MH	AC	Gravity	1	1978	46	55	9	2033
MH-765	MH	AC	Gravity	1	1978	46	55	9	2033
MH-77	MH	AC	Gravity	1	1978	46	55	9	2033
MH-98	MH	AC	Gravity	1	1978	46	55	9	2033
MH-99	MH	AC	Gravity	1	1978	46	55	9	2033
MH-380	MH	VCP	Gravity	1	1973	51	60	9	2033
JCT-260	JCT	ACP	Treated	1	1978	46	55	9	2033
GV-269	GV	ACP	Treated	1	1978	46	55	9	2033
GV-268	GV	ACP	Treated	1	1978	46	55	9	2033
FH-69	FH	ACP	Treated	1	1978	46	55	9	2033
FH-72	FH	ACP	Treated	1	1978	46	55	9	2033
JCT-266	JCT	ACP	Treated	1	1978	46	55	9	2033
FH-76	FH	ACP	Treated	1	1978	46	55	9	2033
FH-77	FH	ACP	Treated	1	1978	46	55	9	2033
JCT-288	JCT	ACP	Treated	1	1978	46	55	9	2033
JCT-283	JCT	ACP	Treated	1	1978	46	55	9	2033
JCT-279	JCT	ACP	Treated	1	1978	46	55	9	2033
JCT-310	JCT	ACP	Treated	1	1978	46	55	9	2033
FH-92	FH	ACP	Treated	1	1978	46	55	9	2033
GV-191	GV	ACP	Treated	1	1978	46	55	9	2033
FH-93	FH	ACP	Treated	1	1978	46	55	9	2033
BO-121	BO	ACP	Treated	1	1978	46	55	9	2033
FH-95	FH	ACP	Treated	1	1978	46	55	9	2033
FH-96	FH	ACP	Treated	1	1978	46	55	9	2033
BO-123	BO	ACP	Treated	1	1978	46	55	9	2033
FH-104	FH	ACP	Treated	1	1978	46	55	9	2033
BO-125	BO	ACP	Treated	1	1978	46	55	9	2033
FH-105	FH	ACP	Treated	1	1978	46	55	9	2033
FH-106	FH	ACP	Treated	1	1978	46	55	9	2033
FH-107	FH	ACP	Treated	1	1978	46	55	9	2033
BO-130	BO	ACP	Treated	1	1978	46	55	9	2033
FH-108	FH	ACP	Treated	1	1978	46	55	9	2033
FH-109	FH	ACP	Treated	1	1978	46	55	9	2033
BO-134	BO	ACP	Treated	1	1978	46	55	9	2033
BO-116	BO	ACP	Treated	1	1978	46	55	9	2033
BO-132	BO	ACP	Treated	1	1978	46	55	9	2033
BO-96	BO	ACP	Treated	1	1978	46	55	9	2033
BO-97	BO	ACP	Treated	1	1978	46	55	9	2033

RMCS D APPURTENANCE INVENTORY (DRAFT)

ID	Item	Material	System	Quantity	Install Year	AGE	Est Life	Estimated Remaining Life	Replacement Year
ARV-78	ARV	ACP	Treated	1	1978	46	55	9	2033
ARV-79	ARV	ACP	Treated	1	1978	46	55	9	2033
BO-101	BO	ACP	Treated	1	1978	46	55	9	2033
BO-102	BO	ACP	Treated	1	1978	46	55	9	2033
GV-311	GV	ACP	Treated	1	1978	46	55	9	2033
BO-107	BO	ACP	Treated	1	1978	46	55	9	2033
BO-108	BO	ACP	Treated	1	1978	46	55	9	2033
ARV-85	ARV	ACP	Treated	1	1978	46	55	9	2033
ARV-95	ARV	ACP	Treated	1	1978	46	55	9	2033
BO-117	BO	ACP	Treated	1	1978	46	55	9	2033
ARV-98	ARV	ACP	Treated	1	1978	46	55	9	2033
BO-118	BO	ACP	Treated	1	1978	46	55	9	2033
BO-119	BO	ACP	Treated	1	1978	46	55	9	2033
ARV-100	ARV	ACP	Treated	1	1978	46	55	9	2033
ARV-101	ARV	ACP	Treated	1	1978	46	55	9	2033
ARV-103	ARV	ACP	Treated	1	1978	46	55	9	2033
ARV-104	ARV	ACP	Treated	1	1978	46	55	9	2033
ARV-105	ARV	ACP	Treated	1	1978	46	55	9	2033
BO-127	BO	ACP	Treated	1	1978	46	55	9	2033
ARV-108	ARV	ACP	Treated	1	1978	46	55	9	2033
BO-129	BO	ACP	Treated	1	1978	46	55	9	2033
ARV-109	ARV	ACP	Treated	1	1978	46	55	9	2033
BO-131	BO	ACP	Treated	1	1978	46	55	9	2033
ARV-111	ARV	ACP	Treated	1	1978	46	55	9	2033
BO-133	BO	ACP	Treated	1	1978	46	55	9	2033
ARV-179	ARV	ACP	Treated	1	1979	45	55	10	2034
ARV-180	ARV	ACP	Treated	1	1979	45	55	10	2034
ARV-19	ARV	ACP	Treated	1	1979	45	55	10	2034
ARV-30	ARV	ACP	Treated	1	1979	45	55	10	2034
ARV-37	ARV	ACP	Treated	1	1979	45	55	10	2034
ARV-45	ARV	ACP	Treated	1	1979	45	55	10	2034
ARV-57	ARV	ACP	Treated	1	1979	45	55	10	2034
BO-220	BO	ACP	Treated	1	1979	45	55	10	2034
BO-256	BO	ACP	Treated	1	1979	45	55	10	2034
BO-36	BO	ACP	Treated	1	1979	45	55	10	2034
BO-39	BO	ACP	Treated	1	1979	45	55	10	2034
BO-41	BO	ACP	Treated	1	1979	45	55	10	2034
BO-55	BO	ACP	Treated	1	1979	45	55	10	2034
BO-63	BO	ACP	Treated	1	1979	45	55	10	2034
BO-65	BO	ACP	Treated	1	1979	45	55	10	2034
BO-67	BO	ACP	Treated	1	1979	45	55	10	2034
BO-85	BO	ACP	Treated	1	1979	45	55	10	2034
FH-16	FH	ACP	Treated	1	1979	45	55	10	2034
FH-17	FH	ACP	Treated	1	1979	45	55	10	2034
FH-20	FH	ACP	Treated	1	1979	45	55	10	2034
FH-22	FH	ACP	Treated	1	1979	45	55	10	2034
FH-23	FH	ACP	Treated	1	1979	45	55	10	2034
FH-27	FH	ACP	Treated	1	1979	45	55	10	2034
FH-28	FH	ACP	Treated	1	1979	45	55	10	2034
FH-320	FH	ACP	Treated	1	1979	45	55	10	2034
FH-34	FH	ACP	Treated	1	1979	45	55	10	2034
FH-35	FH	ACP	Treated	1	1979	45	55	10	2034
FH-43	FH	ACP	Treated	1	1979	45	55	10	2034
GV-109	GV	ACP	Treated	1	1979	45	55	10	2034
GV-110	GV	ACP	Treated	1	1979	45	55	10	2034
GV-111	GV	ACP	Treated	1	1979	45	55	10	2034
GV-112	GV	ACP	Treated	1	1979	45	55	10	2034
GV-113	GV	ACP	Treated	1	1979	45	55	10	2034
GV-1142	GV	ACP	Treated	1	1979	45	55	10	2034
GV-116	GV	ACP	Treated	1	1979	45	55	10	2034
GV-129	GV	ACP	Treated	1	1979	45	55	10	2034
GV-131	GV	ACP	Treated	1	1979	45	55	10	2034
GV-133	GV	ACP	Treated	1	1979	45	55	10	2034
GV-134	GV	ACP	Treated	1	1979	45	55	10	2034
GV-135	GV	ACP	Treated	1	1979	45	55	10	2034
GV-136	GV	ACP	Treated	1	1979	45	55	10	2034
GV-137	GV	ACP	Treated	1	1979	45	55	10	2034

RMCS D APPURTENANCE INVENTORY (DRAFT)

ID	Item	Material	System	Quantity	Install Year	AGE	Est Life	Estimated Remaining Life	Replacement Year
GV-138	GV	ACP	Treated	1	1979	45	55	10	2034
GV-139	GV	ACP	Treated	1	1979	45	55	10	2034
GV-140	GV	ACP	Treated	1	1979	45	55	10	2034
GV-142	GV	ACP	Treated	1	1979	45	55	10	2034
GV-143	GV	ACP	Treated	1	1979	45	55	10	2034
GV-144	GV	ACP	Treated	1	1979	45	55	10	2034
GV-154	GV	ACP	Treated	1	1979	45	55	10	2034
GV-155	GV	ACP	Treated	1	1979	45	55	10	2034
GV-156	GV	ACP	Treated	1	1979	45	55	10	2034
GV-157	GV	ACP	Treated	1	1979	45	55	10	2034
GV-159	GV	ACP	Treated	1	1979	45	55	10	2034
GV-160	GV	ACP	Treated	1	1979	45	55	10	2034
GV-161	GV	ACP	Treated	1	1979	45	55	10	2034
GV-162	GV	ACP	Treated	1	1979	45	55	10	2034
GV-163	GV	ACP	Treated	1	1979	45	55	10	2034
GV-164	GV	ACP	Treated	1	1979	45	55	10	2034
GV-165	GV	ACP	Treated	1	1979	45	55	10	2034
GV-166	GV	ACP	Treated	1	1979	45	55	10	2034
GV-167	GV	ACP	Treated	1	1979	45	55	10	2034
GV-168	GV	ACP	Treated	1	1979	45	55	10	2034
GV-169	GV	ACP	Treated	1	1979	45	55	10	2034
GV-170	GV	ACP	Treated	1	1979	45	55	10	2034
GV-171	GV	ACP	Treated	1	1979	45	55	10	2034
GV-172	GV	ACP	Treated	1	1979	45	55	10	2034
GV-173	GV	ACP	Treated	1	1979	45	55	10	2034
GV-174	GV	ACP	Treated	1	1979	45	55	10	2034
GV-175	GV	ACP	Treated	1	1979	45	55	10	2034
GV-176	GV	ACP	Treated	1	1979	45	55	10	2034
GV-177	GV	ACP	Treated	1	1979	45	55	10	2034
GV-178	GV	ACP	Treated	1	1979	45	55	10	2034
GV-179	GV	ACP	Treated	1	1979	45	55	10	2034
GV-180	GV	ACP	Treated	1	1979	45	55	10	2034
GV-181	GV	ACP	Treated	1	1979	45	55	10	2034
GV-182	GV	ACP	Treated	1	1979	45	55	10	2034
GV-184	GV	ACP	Treated	1	1979	45	55	10	2034
GV-185	GV	ACP	Treated	1	1979	45	55	10	2034
GV-186	GV	ACP	Treated	1	1979	45	55	10	2034
GV-187	GV	ACP	Treated	1	1979	45	55	10	2034
GV-188	GV	ACP	Treated	1	1979	45	55	10	2034
GV-189	GV	ACP	Treated	1	1979	45	55	10	2034
GV-192	GV	ACP	Treated	1	1979	45	55	10	2034
GV-193	GV	ACP	Treated	1	1979	45	55	10	2034
GV-194	GV	ACP	Treated	1	1979	45	55	10	2034
GV-195	GV	ACP	Treated	1	1979	45	55	10	2034
GV-196	GV	ACP	Treated	1	1979	45	55	10	2034
GV-197	GV	ACP	Treated	1	1979	45	55	10	2034
GV-198	GV	ACP	Treated	1	1979	45	55	10	2034
GV-199	GV	ACP	Treated	1	1979	45	55	10	2034
GV-200	GV	ACP	Treated	1	1979	45	55	10	2034
GV-201	GV	ACP	Treated	1	1979	45	55	10	2034
GV-202	GV	ACP	Treated	1	1979	45	55	10	2034
GV-203	GV	ACP	Treated	1	1979	45	55	10	2034
GV-204	GV	ACP	Treated	1	1979	45	55	10	2034
GV-205	GV	ACP	Treated	1	1979	45	55	10	2034
GV-206	GV	ACP	Treated	1	1979	45	55	10	2034
GV-207	GV	ACP	Treated	1	1979	45	55	10	2034
GV-208	GV	ACP	Treated	1	1979	45	55	10	2034
GV-209	GV	ACP	Treated	1	1979	45	55	10	2034
GV-210	GV	ACP	Treated	1	1979	45	55	10	2034
GV-211	GV	ACP	Treated	1	1979	45	55	10	2034
GV-212	GV	ACP	Treated	1	1979	45	55	10	2034
GV-213	GV	ACP	Treated	1	1979	45	55	10	2034
GV-214	GV	ACP	Treated	1	1979	45	55	10	2034
GV-215	GV	ACP	Treated	1	1979	45	55	10	2034
GV-216	GV	ACP	Treated	1	1979	45	55	10	2034
GV-217	GV	ACP	Treated	1	1979	45	55	10	2034
GV-218	GV	ACP	Treated	1	1979	45	55	10	2034

RMCS D APPURTENANCE INVENTORY (DRAFT)

ID	Item	Material	System	Quantity	Install Year	AGE	Est Life	Estimated Remaining Life	Replacement Year
GV-219	GV	ACP	Treated	1	1979	45	55	10	2034
GV-220	GV	ACP	Treated	1	1979	45	55	10	2034
GV-221	GV	ACP	Treated	1	1979	45	55	10	2034
GV-222	GV	ACP	Treated	1	1979	45	55	10	2034
GV-223	GV	ACP	Treated	1	1979	45	55	10	2034
GV-224	GV	ACP	Treated	1	1979	45	55	10	2034
GV-225	GV	ACP	Treated	1	1979	45	55	10	2034
GV-226	GV	ACP	Treated	1	1979	45	55	10	2034
GV-227	GV	ACP	Treated	1	1979	45	55	10	2034
GV-228	GV	ACP	Treated	1	1979	45	55	10	2034
GV-511	GV	ACP	Treated	1	1979	45	55	10	2034
GV-65	GV	ACP	Treated	1	1979	45	55	10	2034
GV-66	GV	ACP	Treated	1	1979	45	55	10	2034
GV-67	GV	ACP	Treated	1	1979	45	55	10	2034
GV-68	GV	ACP	Treated	1	1979	45	55	10	2034
GV-69	GV	ACP	Treated	1	1979	45	55	10	2034
GV-82	GV	ACP	Treated	1	1979	45	55	10	2034
GV-83	GV	ACP	Treated	1	1979	45	55	10	2034
GV-845	GV	ACP	Treated	1	1979	45	55	10	2034
GV-846	GV	ACP	Treated	1	1979	45	55	10	2034
GV-847	GV	ACP	Treated	1	1979	45	55	10	2034
GV-848	GV	ACP	Treated	1	1979	45	55	10	2034
GV-86	GV	ACP	Treated	1	1979	45	55	10	2034
GV-861	GV	ACP	Treated	1	1979	45	55	10	2034
GV-87	GV	ACP	Treated	1	1979	45	55	10	2034
GV-88	GV	ACP	Treated	1	1979	45	55	10	2034
GV-89	GV	ACP	Treated	1	1979	45	55	10	2034
GV-90	GV	ACP	Treated	1	1979	45	55	10	2034
GV-91	GV	ACP	Treated	1	1979	45	55	10	2034
GV-92	GV	ACP	Treated	1	1979	45	55	10	2034
GV-93	GV	ACP	Treated	1	1979	45	55	10	2034
GV-94	GV	ACP	Treated	1	1979	45	55	10	2034
GV-95	GV	ACP	Treated	1	1979	45	55	10	2034
GV-96	GV	ACP	Treated	1	1979	45	55	10	2034
GV-97	GV	ACP	Treated	1	1979	45	55	10	2034
GV-98	GV	ACP	Treated	1	1979	45	55	10	2034
GV-99	GV	ACP	Treated	1	1979	45	55	10	2034
JCT-103	JCT	ACP	Treated	1	1979	45	55	10	2034
JCT-104	JCT	ACP	Treated	1	1979	45	55	10	2034
JCT-105	JCT	ACP	Treated	1	1979	45	55	10	2034
JCT-106	JCT	ACP	Treated	1	1979	45	55	10	2034
JCT-107	JCT	ACP	Treated	1	1979	45	55	10	2034
JCT-108	JCT	ACP	Treated	1	1979	45	55	10	2034
JCT-123	JCT	ACP	Treated	1	1979	45	55	10	2034
JCT-125	JCT	ACP	Treated	1	1979	45	55	10	2034
JCT-126	JCT	ACP	Treated	1	1979	45	55	10	2034
JCT-127	JCT	ACP	Treated	1	1979	45	55	10	2034
JCT-128	JCT	ACP	Treated	1	1979	45	55	10	2034
JCT-129	JCT	ACP	Treated	1	1979	45	55	10	2034
JCT-130	JCT	ACP	Treated	1	1979	45	55	10	2034
JCT-131	JCT	ACP	Treated	1	1979	45	55	10	2034
JCT-132	JCT	ACP	Treated	1	1979	45	55	10	2034
JCT-133	JCT	ACP	Treated	1	1979	45	55	10	2034
JCT-134	JCT	ACP	Treated	1	1979	45	55	10	2034
JCT-135	JCT	ACP	Treated	1	1979	45	55	10	2034
JCT-146	JCT	ACP	Treated	1	1979	45	55	10	2034
JCT-147	JCT	ACP	Treated	1	1979	45	55	10	2034
JCT-148	JCT	ACP	Treated	1	1979	45	55	10	2034
JCT-150	JCT	ACP	Treated	1	1979	45	55	10	2034
JCT-151	JCT	ACP	Treated	1	1979	45	55	10	2034
JCT-152	JCT	ACP	Treated	1	1979	45	55	10	2034
JCT-153	JCT	ACP	Treated	1	1979	45	55	10	2034
JCT-154	JCT	ACP	Treated	1	1979	45	55	10	2034
JCT-155	JCT	ACP	Treated	1	1979	45	55	10	2034
JCT-156	JCT	ACP	Treated	1	1979	45	55	10	2034
JCT-159	JCT	ACP	Treated	1	1979	45	55	10	2034
JCT-161	JCT	ACP	Treated	1	1979	45	55	10	2034

RMCS D APPURTENANCE INVENTORY (DRAFT)

ID	Item	Material	System	Quantity	Install Year	AGE	Est Life	Estimated Remaining Life	Replacement Year
JCT-163	JCT	ACP	Treated	1	1979	45	55	10	2034
JCT-165	JCT	ACP	Treated	1	1979	45	55	10	2034
JCT-166	JCT	ACP	Treated	1	1979	45	55	10	2034
JCT-167	JCT	ACP	Treated	1	1979	45	55	10	2034
JCT-168	JCT	ACP	Treated	1	1979	45	55	10	2034
JCT-169	JCT	ACP	Treated	1	1979	45	55	10	2034
JCT-170	JCT	ACP	Treated	1	1979	45	55	10	2034
JCT-172	JCT	ACP	Treated	1	1979	45	55	10	2034
JCT-173	JCT	ACP	Treated	1	1979	45	55	10	2034
JCT-174	JCT	ACP	Treated	1	1979	45	55	10	2034
JCT-175	JCT	ACP	Treated	1	1979	45	55	10	2034
JCT-176	JCT	ACP	Treated	1	1979	45	55	10	2034
JCT-177	JCT	ACP	Treated	1	1979	45	55	10	2034
JCT-178	JCT	ACP	Treated	1	1979	45	55	10	2034
JCT-179	JCT	ACP	Treated	1	1979	45	55	10	2034
JCT-180	JCT	ACP	Treated	1	1979	45	55	10	2034
JCT-181	JCT	ACP	Treated	1	1979	45	55	10	2034
JCT-182	JCT	ACP	Treated	1	1979	45	55	10	2034
JCT-183	JCT	ACP	Treated	1	1979	45	55	10	2034
JCT-184	JCT	ACP	Treated	1	1979	45	55	10	2034
JCT-185	JCT	ACP	Treated	1	1979	45	55	10	2034
JCT-186	JCT	ACP	Treated	1	1979	45	55	10	2034
JCT-187	JCT	ACP	Treated	1	1979	45	55	10	2034
JCT-188	JCT	ACP	Treated	1	1979	45	55	10	2034
JCT-189	JCT	ACP	Treated	1	1979	45	55	10	2034
JCT-190	JCT	ACP	Treated	1	1979	45	55	10	2034
JCT-191	JCT	ACP	Treated	1	1979	45	55	10	2034
JCT-192	JCT	ACP	Treated	1	1979	45	55	10	2034
JCT-193	JCT	ACP	Treated	1	1979	45	55	10	2034
JCT-194	JCT	ACP	Treated	1	1979	45	55	10	2034
JCT-195	JCT	ACP	Treated	1	1979	45	55	10	2034
JCT-196	JCT	ACP	Treated	1	1979	45	55	10	2034
JCT-197	JCT	ACP	Treated	1	1979	45	55	10	2034
JCT-198	JCT	ACP	Treated	1	1979	45	55	10	2034
JCT-199	JCT	ACP	Treated	1	1979	45	55	10	2034
JCT-200	JCT	ACP	Treated	1	1979	45	55	10	2034
JCT-201	JCT	ACP	Treated	1	1979	45	55	10	2034
JCT-202	JCT	ACP	Treated	1	1979	45	55	10	2034
JCT-203	JCT	ACP	Treated	1	1979	45	55	10	2034
JCT-204	JCT	ACP	Treated	1	1979	45	55	10	2034
JCT-206	JCT	ACP	Treated	1	1979	45	55	10	2034
JCT-207	JCT	ACP	Treated	1	1979	45	55	10	2034
JCT-208	JCT	ACP	Treated	1	1979	45	55	10	2034
JCT-209	JCT	ACP	Treated	1	1979	45	55	10	2034
JCT-210	JCT	ACP	Treated	1	1979	45	55	10	2034
JCT-211	JCT	ACP	Treated	1	1979	45	55	10	2034
JCT-212	JCT	ACP	Treated	1	1979	45	55	10	2034
JCT-213	JCT	ACP	Treated	1	1979	45	55	10	2034
JCT-214	JCT	ACP	Treated	1	1979	45	55	10	2034
JCT-215	JCT	ACP	Treated	1	1979	45	55	10	2034
JCT-216	JCT	ACP	Treated	1	1979	45	55	10	2034
JCT-217	JCT	ACP	Treated	1	1979	45	55	10	2034
JCT-218	JCT	ACP	Treated	1	1979	45	55	10	2034
JCT-219	JCT	ACP	Treated	1	1979	45	55	10	2034
JCT-220	JCT	ACP	Treated	1	1979	45	55	10	2034
JCT-221	JCT	ACP	Treated	1	1979	45	55	10	2034
JCT-222	JCT	ACP	Treated	1	1979	45	55	10	2034
JCT-223	JCT	ACP	Treated	1	1979	45	55	10	2034
JCT-224	JCT	ACP	Treated	1	1979	45	55	10	2034
JCT-225	JCT	ACP	Treated	1	1979	45	55	10	2034
JCT-226	JCT	ACP	Treated	1	1979	45	55	10	2034
JCT-227	JCT	ACP	Treated	1	1979	45	55	10	2034
JCT-228	JCT	ACP	Treated	1	1979	45	55	10	2034
JCT-229	JCT	ACP	Treated	1	1979	45	55	10	2034
JCT-231	JCT	ACP	Treated	1	1979	45	55	10	2034
JCT-233	JCT	ACP	Treated	1	1979	45	55	10	2034
JCT-234	JCT	ACP	Treated	1	1979	45	55	10	2034

RMCS D APPURTENANCE INVENTORY (DRAFT)

ID	Item	Material	System	Quantity	Install Year	AGE	Est Life	Estimated Remaining Life	Replacement Year
JCT-235	JCT	ACP	Treated	1	1979	45	55	10	2034
JCT-236	JCT	ACP	Treated	1	1979	45	55	10	2034
JCT-237	JCT	ACP	Treated	1	1979	45	55	10	2034
JCT-42	JCT	ACP	Treated	1	1979	45	55	10	2034
JCT-60	JCT	ACP	Treated	1	1979	45	55	10	2034
JCT-61	JCT	ACP	Treated	1	1979	45	55	10	2034
JCT-62	JCT	ACP	Treated	1	1979	45	55	10	2034
JCT-63	JCT	ACP	Treated	1	1979	45	55	10	2034
JCT-64	JCT	ACP	Treated	1	1979	45	55	10	2034
JCT-65	JCT	ACP	Treated	1	1979	45	55	10	2034
JCT-78	JCT	ACP	Treated	1	1979	45	55	10	2034
JCT-79	JCT	ACP	Treated	1	1979	45	55	10	2034
JCT-80	JCT	ACP	Treated	1	1979	45	55	10	2034
JCT-81	JCT	ACP	Treated	1	1979	45	55	10	2034
JCT-82	JCT	ACP	Treated	1	1979	45	55	10	2034
JCT-83	JCT	ACP	Treated	1	1979	45	55	10	2034
JCT-84	JCT	ACP	Treated	1	1979	45	55	10	2034
JCT-85	JCT	ACP	Treated	1	1979	45	55	10	2034
JCT-86	JCT	ACP	Treated	1	1979	45	55	10	2034
JCT-87	JCT	ACP	Treated	1	1979	45	55	10	2034
JCT-88	JCT	ACP	Treated	1	1979	45	55	10	2034
JCT-89	JCT	ACP	Treated	1	1979	45	55	10	2034
JCT-90	JCT	ACP	Treated	1	1979	45	55	10	2034
JCT-91	JCT	ACP	Treated	1	1979	45	55	10	2034
JCT-92	JCT	ACP	Treated	1	1979	45	55	10	2034
CO-10	CO	AC	Gravity	1	1979	45	55	10	2034
CO-107	CO	AC	Gravity	1	1979	45	55	10	2034
CO-11	CO	AC	Gravity	1	1979	45	55	10	2034
CO-12	CO	AC	Gravity	1	1979	45	55	10	2034
CO-13	CO	AC	Gravity	1	1979	45	55	10	2034
CO-14	CO	AC	Gravity	1	1979	45	55	10	2034
CO-15	CO	AC	Gravity	1	1979	45	55	10	2034
CO-16	CO	AC	Gravity	1	1979	45	55	10	2034
CO-18	CO	AC	Gravity	1	1979	45	55	10	2034
CO-19	CO	AC	Gravity	1	1979	45	55	10	2034
CO-20	CO	AC	Gravity	1	1979	45	55	10	2034
CO-21	CO	AC	Gravity	1	1979	45	55	10	2034
CO-238	CO	AC	Gravity	1	1979	45	55	10	2034
CO-239	CO	AC	Gravity	1	1979	45	55	10	2034
CO-51	CO	AC	Gravity	1	1979	45	55	10	2034
CO-52	CO	AC	Gravity	1	1979	45	55	10	2034
CO-53	CO	AC	Gravity	1	1979	45	55	10	2034
CO-54	CO	AC	Gravity	1	1979	45	55	10	2034
CO-55	CO	AC	Gravity	1	1979	45	55	10	2034
CO-56	CO	AC	Gravity	1	1979	45	55	10	2034
CO-57	CO	AC	Gravity	1	1979	45	55	10	2034
CO-6	CO	AC	Gravity	1	1979	45	55	10	2034
CO-7	CO	AC	Gravity	1	1979	45	55	10	2034
MH-12	MH	AC	Gravity	1	1979	45	55	10	2034
MH-14	MH	AC	Gravity	1	1979	45	55	10	2034
MH-15	MH	AC	Gravity	1	1979	45	55	10	2034
MH-16	MH	AC	Gravity	1	1979	45	55	10	2034
MH-161	MH	AC	Gravity	1	1979	45	55	10	2034
MH-17	MH	AC	Gravity	1	1979	45	55	10	2034
MH-176	MH	AC	Gravity	1	1979	45	55	10	2034
MH-177	MH	AC	Gravity	1	1979	45	55	10	2034
MH-178	MH	AC	Gravity	1	1979	45	55	10	2034
MH-179	MH	AC	Gravity	1	1979	45	55	10	2034
MH-18	MH	AC	Gravity	1	1979	45	55	10	2034
MH-180	MH	AC	Gravity	1	1979	45	55	10	2034
MH-181	MH	AC	Gravity	1	1979	45	55	10	2034
MH-182	MH	AC	Gravity	1	1979	45	55	10	2034
MH-183	MH	AC	Gravity	1	1979	45	55	10	2034
MH-184	MH	AC	Gravity	1	1979	45	55	10	2034
MH-185	MH	AC	Gravity	1	1979	45	55	10	2034
MH-186	MH	AC	Gravity	1	1979	45	55	10	2034
MH-187	MH	AC	Gravity	1	1979	45	55	10	2034

RMCS D APPURTENANCE INVENTORY (DRAFT)

ID	Item	Material	System	Quantity	Install Year	AGE	Est Life	Estimated Remaining Life	Replacement Year
MH-188	MH	AC	Gravity	1	1979	45	55	10	2034
MH-189	MH	AC	Gravity	1	1979	45	55	10	2034
MH-190	MH	AC	Gravity	1	1979	45	55	10	2034
MH-192	MH	AC	Gravity	1	1979	45	55	10	2034
MH-193	MH	AC	Gravity	1	1979	45	55	10	2034
MH-194	MH	AC	Gravity	1	1979	45	55	10	2034
MH-195	MH	AC	Gravity	1	1979	45	55	10	2034
MH-196	MH	AC	Gravity	1	1979	45	55	10	2034
MH-197	MH	AC	Gravity	1	1979	45	55	10	2034
MH-198	MH	AC	Gravity	1	1979	45	55	10	2034
MH-199	MH	AC	Gravity	1	1979	45	55	10	2034
MH-200	MH	AC	Gravity	1	1979	45	55	10	2034
MH-201	MH	AC	Gravity	1	1979	45	55	10	2034
MH-202	MH	AC	Gravity	1	1979	45	55	10	2034
MH-203	MH	AC	Gravity	1	1979	45	55	10	2034
MH-204	MH	AC	Gravity	1	1979	45	55	10	2034
MH-205	MH	AC	Gravity	1	1979	45	55	10	2034
MH-206	MH	AC	Gravity	1	1979	45	55	10	2034
MH-207	MH	AC	Gravity	1	1979	45	55	10	2034
MH-208	MH	AC	Gravity	1	1979	45	55	10	2034
MH-209	MH	AC	Gravity	1	1979	45	55	10	2034
MH-21	MH	AC	Gravity	1	1979	45	55	10	2034
MH-211	MH	AC	Gravity	1	1979	45	55	10	2034
MH-212	MH	AC	Gravity	1	1979	45	55	10	2034
MH-213	MH	AC	Gravity	1	1979	45	55	10	2034
MH-214	MH	AC	Gravity	1	1979	45	55	10	2034
MH-215	MH	AC	Gravity	1	1979	45	55	10	2034
MH-216	MH	AC	Gravity	1	1979	45	55	10	2034
MH-217	MH	AC	Gravity	1	1979	45	55	10	2034
MH-218	MH	AC	Gravity	1	1979	45	55	10	2034
MH-219	MH	AC	Gravity	1	1979	45	55	10	2034
MH-220	MH	AC	Gravity	1	1979	45	55	10	2034
MH-24	MH	AC	Gravity	1	1979	45	55	10	2034
MH-27	MH	AC	Gravity	1	1979	45	55	10	2034
MH-29	MH	AC	Gravity	1	1979	45	55	10	2034
MH-30	MH	AC	Gravity	1	1979	45	55	10	2034
MH-31	MH	AC	Gravity	1	1979	45	55	10	2034
MH-32	MH	AC	Gravity	1	1979	45	55	10	2034
MH-33	MH	AC	Gravity	1	1979	45	55	10	2034
MH-34	MH	AC	Gravity	1	1979	45	55	10	2034
MH-35	MH	AC	Gravity	1	1979	45	55	10	2034
MH-36	MH	AC	Gravity	1	1979	45	55	10	2034
MH-37	MH	AC	Gravity	1	1979	45	55	10	2034
MH-38	MH	AC	Gravity	1	1979	45	55	10	2034
MH-39	MH	AC	Gravity	1	1979	45	55	10	2034
MH-40	MH	AC	Gravity	1	1979	45	55	10	2034
MH-41	MH	AC	Gravity	1	1979	45	55	10	2034
MH-42	MH	AC	Gravity	1	1979	45	55	10	2034
MH-43	MH	AC	Gravity	1	1979	45	55	10	2034
MH-44	MH	AC	Gravity	1	1979	45	55	10	2034
MH-45	MH	AC	Gravity	1	1979	45	55	10	2034
MH-46	MH	AC	Gravity	1	1979	45	55	10	2034
MH-47	MH	AC	Gravity	1	1979	45	55	10	2034
MH-48	MH	AC	Gravity	1	1979	45	55	10	2034
MH-49	MH	AC	Gravity	1	1979	45	55	10	2034
MH-50	MH	AC	Gravity	1	1979	45	55	10	2034
MH-51	MH	AC	Gravity	1	1979	45	55	10	2034
MH-52	MH	AC	Gravity	1	1979	45	55	10	2034
MH-53	MH	AC	Gravity	1	1979	45	55	10	2034
MH-54	MH	AC	Gravity	1	1979	45	55	10	2034
MH-55	MH	AC	Gravity	1	1979	45	55	10	2034
MH-56	MH	AC	Gravity	1	1979	45	55	10	2034
MH-57	MH	AC	Gravity	1	1979	45	55	10	2034
MH-58	MH	AC	Gravity	1	1979	45	55	10	2034
MH-59	MH	AC	Gravity	1	1979	45	55	10	2034
MH-60	MH	AC	Gravity	1	1979	45	55	10	2034
MH-61	MH	AC	Gravity	1	1979	45	55	10	2034

RMCS D APPURTENANCE INVENTORY (DRAFT)

ID	Item	Material	System	Quantity	Install Year	AGE	Est Life	Estimated Remaining Life	Replacement Year
MH-62	MH	AC	Gravity	1	1979	45	55	10	2034
MH-63	MH	AC	Gravity	1	1979	45	55	10	2034
MH-64	MH	AC	Gravity	1	1979	45	55	10	2034
MH-65	MH	AC	Gravity	1	1979	45	55	10	2034
MH-66	MH	AC	Gravity	1	1979	45	55	10	2034
MH-663	MH	ACP	Gravity	1	1979	45	55	10	2034
MH-67	MH	AC	Gravity	1	1979	45	55	10	2034
MH-68	MH	AC	Gravity	1	1979	45	55	10	2034
MH-69	MH	AC	Gravity	1	1979	45	55	10	2034
MH-70	MH	AC	Gravity	1	1979	45	55	10	2034
MH-71	MH	AC	Gravity	1	1979	45	55	10	2034
MH-72	MH	AC	Gravity	1	1979	45	55	10	2034
MH-73	MH	AC	Gravity	1	1979	45	55	10	2034
MH-74	MH	AC	Gravity	1	1979	45	55	10	2034
MH-75	MH	AC	Gravity	1	1979	45	55	10	2034
MH-768	MH	AC	Gravity	1	1979	45	55	10	2034
MH-769	MH	AC	Gravity	1	1979	45	55	10	2034
MH-770	MH	AC	Gravity	1	1979	45	55	10	2034
MH-771	MH	AC	Gravity	1	1979	45	55	10	2034
MH-772	MH	AC	Gravity	1	1979	45	55	10	2034
MH-773	MH	AC	Gravity	1	1979	45	55	10	2034
MH-774	MH	AC	Gravity	1	1979	45	55	10	2034
MH-775	MH	AC	Gravity	1	1979	45	55	10	2034
MH-776	MH	AC	Gravity	1	1979	45	55	10	2034
MH-78	MH	AC	Gravity	1	1979	45	55	10	2034
MH-79	MH	AC	Gravity	1	1979	45	55	10	2034
MH-8	MH	AC	Gravity	1	1979	45	55	10	2034
MH-80	MH	AC	Gravity	1	1979	45	55	10	2034
MH-81	MH	AC	Gravity	1	1979	45	55	10	2034
MH-86	MH	AC	Gravity	1	1979	45	55	10	2034
MH-87	MH	AC	Gravity	1	1979	45	55	10	2034
MH-89	MH	AC	Gravity	1	1979	45	55	10	2034
MH-90	MH	AC	Gravity	1	1979	45	55	10	2034
MH-91	MH	AC	Gravity	1	1979	45	55	10	2034
MH-92	MH	AC	Gravity	1	1979	45	55	10	2034
MH-93	MH	AC	Gravity	1	1979	45	55	10	2034
CO-78	CO	VCP	Gravity	1	1974	50	60	10	2034
MH-325	MH	VCP	Gravity	1	1974	50	60	10	2034
MH-326	MH	VCP	Gravity	1	1974	50	60	10	2034
MH-327	MH	VCP	Gravity	1	1974	50	60	10	2034
MH-328	MH	VCP	Gravity	1	1974	50	60	10	2034
MH-331	MH	VCP	Gravity	1	1974	50	60	10	2034
MH-332	MH	VCP	Gravity	1	1974	50	60	10	2034
MH-338	MH	VCP	Gravity	1	1974	50	60	10	2034
MH-339	MH	VCP	Gravity	1	1974	50	60	10	2034
MH-340	MH	VCP	Gravity	1	1974	50	60	10	2034
MH-342	MH	VCP	Gravity	1	1974	50	60	10	2034
MH-343	MH	VCP	Gravity	1	1974	50	60	10	2034
MH-344	MH	VCP	Gravity	1	1974	50	60	10	2034
MH-345	MH	VCP	Gravity	1	1974	50	60	10	2034
MH-375	MH	41' VCP/ 4	Gravity	1	1974	50	60	10	2034
MH-377	MH	VCP	Gravity	1	1974	50	60	10	2034
MH-378	MH	VCP	Gravity	1	1974	50	60	10	2034
MH-379	MH	VCP	Gravity	1	1974	50	60	10	2034
MH-426	MH	VCP	Gravity	1	1974	50	60	10	2034
MH-427	MH	VCP	Gravity	1	1974	50	60	10	2034
MH-429	MH	VCP	Gravity	1	1974	50	60	10	2034
MH-431	MH	VCP	Gravity	1	1974	50	60	10	2034
MH-435	MH	VCP	Gravity	1	1974	50	60	10	2034
MH-439	MH	VCP	Gravity	1	1974	50	60	10	2034
MH-441	MH	VCP	Gravity	1	1974	50	60	10	2034
MH-442	MH	VCP	Gravity	1	1974	50	60	10	2034
MH-443	MH	VCP	Gravity	1	1974	50	60	10	2034
FH-33	FH	ACP	Treated	1	1979	45	55	10	2034
FH-32	FH	ACP	Treated	1	1979	45	55	10	2034
FH-31	FH	ACP	Treated	1	1979	45	55	10	2034
FH-37	FH	ACP	Treated	1	1979	45	55	10	2034

RMCS D APPURTENANCE INVENTORY (DRAFT)

ID	Item	Material	System	Quantity	Install Year	AGE	Est Life	Estimated Remaining Life	Replacement Year
BO-56	BO	ACP	Treated	1	1979	45	55	10	2034
BO-255	BO	ACP	Treated	1	1979	45	55	10	2034
FH-40	FH	ACP	Treated	1	1979	45	55	10	2034
FH-41	FH	ACP	Treated	1	1979	45	55	10	2034
BO-62	BO	ACP	Treated	1	1979	45	55	10	2034
FH-42	FH	ACP	Treated	1	1979	45	55	10	2034
JCT-164	JCT	ACP	Treated	1	1979	45	55	10	2034
FH-44	FH	ACP	Treated	1	1979	45	55	10	2034
BO-66	BO	ACP	Treated	1	1979	45	55	10	2034
FH-45	FH	ACP	Treated	1	1979	45	55	10	2034
FH-46	FH	ACP	Treated	1	1979	45	55	10	2034
FH-47	FH	ACP	Treated	1	1979	45	55	10	2034
FH-48	FH	ACP	Treated	1	1979	45	55	10	2034
FH-49	FH	ACP	Treated	1	1979	45	55	10	2034
FH-50	FH	ACP	Treated	1	1979	45	55	10	2034
FH-51	FH	ACP	Treated	1	1979	45	55	10	2034
FH-52	FH	ACP	Treated	1	1979	45	55	10	2034
BO-72	BO	ACP	Treated	1	1979	45	55	10	2034
BO-74	BO	ACP	Treated	1	1979	45	55	10	2034
FH-321	FH	ACP	Treated	1	1979	45	55	10	2034
BO-75	BO	ACP	Treated	1	1979	45	55	10	2034
FH-53	FH	ACP	Treated	1	1979	45	55	10	2034
BO-78	BO	ACP	Treated	1	1979	45	55	10	2034
BO-77	BO	ACP	Treated	1	1979	45	55	10	2034
FH-54	FH	ACP	Treated	1	1979	45	55	10	2034
FH-55	FH	ACP	Treated	1	1979	45	55	10	2034
BO-80	BO	ACP	Treated	1	1979	45	55	10	2034
FH-56	FH	ACP	Treated	1	1979	45	55	10	2034
BO-81	BO	ACP	Treated	1	1979	45	55	10	2034
FH-57	FH	ACP	Treated	1	1979	45	55	10	2034
FH-244	FH	ACP	Treated	1	1979	45	55	10	2034
BO-83	BO	ACP	Treated	1	1979	45	55	10	2034
FH-58	FH	ACP	Treated	1	1979	45	55	10	2034
FH-59	FH	ACP	Treated	1	1979	45	55	10	2034
FH-60	FH	ACP	Treated	1	1979	45	55	10	2034
FH-61	FH	ACP	Treated	1	1979	45	55	10	2034
FH-62	FH	ACP	Treated	1	1979	45	55	10	2034
BO-37	BO	ACP	Treated	1	1979	45	55	10	2034
BO-38	BO	ACP	Treated	1	1979	45	55	10	2034
BO-40	BO	ACP	Treated	1	1979	45	55	10	2034
FH-21	FH	ACP	Treated	1	1979	45	55	10	2034
BO-46	BO	ACP	Treated	1	1979	45	55	10	2034
GV-132	GV	ACP	Treated	1	1979	45	55	10	2034
ARV-36	ARV	ACP	Treated	1	1979	45	55	10	2034
ARV-38	ARV	ACP	Treated	1	1979	45	55	10	2034
ARV-44	ARV	ACP	Treated	1	1979	45	55	10	2034
GV-158	GV	ACP	Treated	1	1979	45	55	10	2034
ARV-43	ARV	ACP	Treated	1	1979	45	55	10	2034
BO-64	BO	ACP	Treated	1	1979	45	55	10	2034
ARV-46	ARV	ACP	Treated	1	1979	45	55	10	2034
ARV-47	ARV	ACP	Treated	1	1979	45	55	10	2034
ARV-48	ARV	ACP	Treated	1	1979	45	55	10	2034
ARV-49	ARV	ACP	Treated	1	1979	45	55	10	2034
BO-68	BO	ACP	Treated	1	1979	45	55	10	2034
ARV-50	ARV	ACP	Treated	1	1979	45	55	10	2034
ARV-52	ARV	ACP	Treated	1	1979	45	55	10	2034
BO-70	BO	ACP	Treated	1	1979	45	55	10	2034
ARV-51	ARV	ACP	Treated	1	1979	45	55	10	2034
ARV-53	ARV	ACP	Treated	1	1979	45	55	10	2034
BO-76	BO	ACP	Treated	1	1979	45	55	10	2034
ARV-54	ARV	ACP	Treated	1	1979	45	55	10	2034
ARV-55	ARV	ACP	Treated	1	1979	45	55	10	2034
ARV-56	ARV	ACP	Treated	1	1979	45	55	10	2034
BO-79	BO	ACP	Treated	1	1979	45	55	10	2034
BO-82	BO	ACP	Treated	1	1979	45	55	10	2034
ARV-60	ARV	ACP	Treated	1	1979	45	55	10	2034
BO-254	BO	ACP	Treated	1	1979	45	55	10	2034

RMCS D APPURTENANCE INVENTORY (DRAFT)

ID	Item	Material	System	Quantity	Install Year	AGE	Est Life	Estimated Remaining Life	Replacement Year
ARV-58	ARV	ACP	Treated	1	1979	45	55	10	2034
BO-84	BO	ACP	Treated	1	1979	45	55	10	2034
ARV-61	ARV	ACP	Treated	1	1979	45	55	10	2034
BO-86	BO	ACP	Treated	1	1979	45	55	10	2034
ARV-62	ARV	ACP	Treated	1	1979	45	55	10	2034
BO-87	BO	ACP	Treated	1	1979	45	55	10	2034
ARV-65	ARV	ACP	Treated	1	1979	45	55	10	2034
ARV-63	ARV	ACP	Treated	1	1979	45	55	10	2034
BO-88	BO	ACP	Treated	1	1979	45	55	10	2034
ARV-64	ARV	ACP	Treated	1	1979	45	55	10	2034
BO-89	BO	ACP	Treated	1	1979	45	55	10	2034
BO-29	BO	ACP	Treated	1	1979	45	55	10	2034
ARV-20	ARV	ACP	Treated	1	1979	45	55	10	2034
BO-30	BO	ACP	Treated	1	1979	45	55	10	2034
ARV-25	ARV	ACP	Treated	1	1979	45	55	10	2034
BO-61	BO	ACP	Treated	1	1979	45	55	10	2034
BO-69	BO	ACP	Treated	1	1979	45	55	10	2034
ARV-10	ARV	ACP	Treated	1	1980	44	55	11	2035
ARV-11	ARV	ACP	Treated	1	1980	44	55	11	2035
ARV-12	ARV	ACP	Treated	1	1980	44	55	11	2035
ARV-13	ARV	ACP	Treated	1	1980	44	55	11	2035
ARV-15	ARV	ACP	Treated	1	1980	44	55	11	2035
ARV-16	ARV	ACP	Treated	1	1980	44	55	11	2035
ARV-181	ARV	ACP	Treated	1	1980	44	55	11	2035
ARV-2	ARV	ACP	Treated	1	1980	44	55	11	2035
ARV-26	ARV	ACP	Treated	1	1980	44	55	11	2035
ARV-27	ARV	ACP	Treated	1	1980	44	55	11	2035
ARV-28	ARV	ACP	Treated	1	1980	44	55	11	2035
ARV-29	ARV	ACP	Treated	1	1980	44	55	11	2035
ARV-3	ARV	ACP	Treated	1	1980	44	55	11	2035
ARV-6	ARV	ACP	Treated	1	1980	44	55	11	2035
ARV-66	ARV	ACP	Raw	1	1980	44	55	11	2035
ARV-7	ARV	ACP	Treated	1	1980	44	55	11	2035
BO-1	BO	ACP	Treated	1	1980	44	55	11	2035
BO-10	BO	ACP	Treated	1	1980	44	55	11	2035
BO-11	BO	ACP	Treated	1	1980	44	55	11	2035
BO-12	BO	ACP	Treated	1	1980	44	55	11	2035
BO-13	BO	ACP	Treated	1	1980	44	55	11	2035
BO-14	BO	ACP	Treated	1	1980	44	55	11	2035
BO-15	BO	ACP	Treated	1	1980	44	55	11	2035
BO-16	BO	ACP	Treated	1	1980	44	55	11	2035
BO-19	BO	ACP	Treated	1	1980	44	55	11	2035
BO-2	BO	ACP	Treated	1	1980	44	55	11	2035
BO-20	BO	ACP	Treated	1	1980	44	55	11	2035
BO-21	BO	ACP	Treated	1	1980	44	55	11	2035
BO-25	BO	ACP	Treated	1	1980	44	55	11	2035
BO-257	BO	ACP	Treated	1	1980	44	55	11	2035
BO-43	BO	ACP	Treated	1	1980	44	55	11	2035
BO-45	BO	ACP	Treated	1	1980	44	55	11	2035
FH-1	FH	ACP	Treated	1	1980	44	55	11	2035
FH-10	FH	ACP	Treated	1	1980	44	55	11	2035
FH-12	FH	ACP	Treated	1	1980	44	55	11	2035
FH-14	FH	ACP	Treated	1	1980	44	55	11	2035
FH-15	FH	ACP	Treated	1	1980	44	55	11	2035
FH-2	FH	ACP	Treated	1	1980	44	55	11	2035
FH-24	FH	ACP	Treated	1	1980	44	55	11	2035
FH-25	FH	ACP	Treated	1	1980	44	55	11	2035
FH-26	FH	ACP	Treated	1	1980	44	55	11	2035
FH-4	FH	ACP	Treated	1	1980	44	55	11	2035
FH-5	FH	ACP	Treated	1	1980	44	55	11	2035
FH-7	FH	ACP	Treated	1	1980	44	55	11	2035
GV-1	GV	ACP	Treated	1	1980	44	55	11	2035
GV-10	GV	ACP	Treated	1	1980	44	55	11	2035
GV-100	GV	ACP	Treated	1	1980	44	55	11	2035
GV-101	GV	ACP	Treated	1	1980	44	55	11	2035
GV-102	GV	ACP	Treated	1	1980	44	55	11	2035
GV-103	GV	ACP	Treated	1	1980	44	55	11	2035

RMCS D APPURTENANCE INVENTORY (DRAFT)

ID	Item	Material	System	Quantity	Install Year	AGE	Est Life	Estimated Remaining Life	Replacement Year
GV-104	GV	ACP	Treated	1	1980	44	55	11	2035
GV-105	GV	ACP	Treated	1	1980	44	55	11	2035
GV-106	GV	ACP	Treated	1	1980	44	55	11	2035
GV-107	GV	ACP	Treated	1	1980	44	55	11	2035
GV-108	GV	ACP	Treated	1	1980	44	55	11	2035
GV-114	GV	ACP	Treated	1	1980	44	55	11	2035
GV-1146	GV	ACP	Treated	1	1980	44	55	11	2035
GV-1147	GV	ACP	Treated	1	1980	44	55	11	2035
GV-115	GV	ACP	Treated	1	1980	44	55	11	2035
GV-12	GV	ACP	Treated	1	1980	44	55	11	2035
GV-13	GV	ACP	Treated	1	1980	44	55	11	2035
GV-130	GV	ACP	Treated	1	1980	44	55	11	2035
GV-14	GV	ACP	Treated	1	1980	44	55	11	2035
GV-145	GV	ACP	Treated	1	1980	44	55	11	2035
GV-146	GV	ACP	Treated	1	1980	44	55	11	2035
GV-147	GV	ACP	Treated	1	1980	44	55	11	2035
GV-148	GV	ACP	Treated	1	1980	44	55	11	2035
GV-149	GV	ACP	Treated	1	1980	44	55	11	2035
GV-15	GV	ACP	Treated	1	1980	44	55	11	2035
GV-150	GV	ACP	Treated	1	1980	44	55	11	2035
GV-151	GV	ACP	Treated	1	1980	44	55	11	2035
GV-152	GV	ACP	Treated	1	1980	44	55	11	2035
GV-153	GV	ACP	Treated	1	1980	44	55	11	2035
GV-16	GV	ACP	Treated	1	1980	44	55	11	2035
GV-17	GV	ACP	Treated	1	1980	44	55	11	2035
GV-18	GV	ACP	Treated	1	1980	44	55	11	2035
GV-183	GV	ACP	Raw	1	1980	44	55	11	2035
GV-19	GV	ACP	Treated	1	1980	44	55	11	2035
GV-2	GV	ACP	Treated	1	1980	44	55	11	2035
GV-20	GV	ACP	Treated	1	1980	44	55	11	2035
GV-21	GV	ACP	Treated	1	1980	44	55	11	2035
GV-22	GV	ACP	Treated	1	1980	44	55	11	2035
GV-23	GV	ACP	Treated	1	1980	44	55	11	2035
GV-230	GV	ACP	Raw	1	1980	44	55	11	2035
GV-231	GV	ACP	Raw	1	1980	44	55	11	2035
GV-24	GV	ACP	Treated	1	1980	44	55	11	2035
GV-243	GV	ACP	Treated	1	1980	44	55	11	2035
GV-25	GV	ACP	Treated	1	1980	44	55	11	2035
GV-26	GV	ACP	Treated	1	1980	44	55	11	2035
GV-27	GV	ACP	Treated	1	1980	44	55	11	2035
GV-29	GV	ACP	Treated	1	1980	44	55	11	2035
GV-3	GV	ACP	Treated	1	1980	44	55	11	2035
GV-30	GV	ACP	Treated	1	1980	44	55	11	2035
GV-31	GV	ACP	Treated	1	1980	44	55	11	2035
GV-32	GV	ACP	Treated	1	1980	44	55	11	2035
GV-34	GV	ACP	Treated	1	1980	44	55	11	2035
GV-35	GV	ACP	Treated	1	1980	44	55	11	2035
GV-36	GV	ACP	Treated	1	1980	44	55	11	2035
GV-37	GV	ACP	Treated	1	1980	44	55	11	2035
GV-39	GV	ACP	Treated	1	1980	44	55	11	2035
GV-4	GV	ACP	Treated	1	1980	44	55	11	2035
GV-40	GV	ACP	Treated	1	1980	44	55	11	2035
GV-41	GV	ACP	Treated	1	1980	44	55	11	2035
GV-42	GV	ACP	Treated	1	1980	44	55	11	2035
GV-43	GV	ACP	Treated	1	1980	44	55	11	2035
GV-44	GV	ACP	Treated	1	1980	44	55	11	2035
GV-45	GV	ACP	Treated	1	1980	44	55	11	2035
GV-46	GV	ACP	Treated	1	1980	44	55	11	2035
GV-47	GV	ACP	Treated	1	1980	44	55	11	2035
GV-48	GV	ACP	Treated	1	1980	44	55	11	2035
GV-49	GV	ACP	Treated	1	1980	44	55	11	2035
GV-5	GV	ACP	Treated	1	1980	44	55	11	2035
GV-50	GV	ACP	Treated	1	1980	44	55	11	2035
GV-51	GV	ACP	Treated	1	1980	44	55	11	2035
GV-52	GV	ACP	Treated	1	1980	44	55	11	2035
GV-53	GV	ACP	Treated	1	1980	44	55	11	2035
GV-54	GV	ACP	Treated	1	1980	44	55	11	2035

RMCS D APPURTENANCE INVENTORY (DRAFT)

ID	Item	Material	System	Quantity	Install Year	AGE	Est Life	Estimated Remaining Life	Replacement Year
GV-55	GV	ACP	Treated	1	1980	44	55	11	2035
GV-56	GV	ACP	Treated	1	1980	44	55	11	2035
GV-57	GV	ACP	Treated	1	1980	44	55	11	2035
GV-58	GV	ACP	Treated	1	1980	44	55	11	2035
GV-59	GV	ACP	Treated	1	1980	44	55	11	2035
GV-6	GV	ACP	Treated	1	1980	44	55	11	2035
GV-60	GV	ACP	Treated	1	1980	44	55	11	2035
GV-61	GV	ACP	Treated	1	1980	44	55	11	2035
GV-62	GV	ACP	Treated	1	1980	44	55	11	2035
GV-63	GV	ACP	Treated	1	1980	44	55	11	2035
GV-64	GV	ACP	Treated	1	1980	44	55	11	2035
GV-7	GV	ACP	Treated	1	1980	44	55	11	2035
GV-70	GV	ACP	Treated	1	1980	44	55	11	2035
GV-77	GV	ACP	Treated	1	1980	44	55	11	2035
GV-8	GV	ACP	Treated	1	1980	44	55	11	2035
GV-9	GV	ACP	Treated	1	1980	44	55	11	2035
IF-4	IF	ACP	Raw	1	1980	44	55	11	2035
JCT-1	JCT	ACP	Treated	1	1980	44	55	11	2035
JCT-10	JCT	ACP	Treated	1	1980	44	55	11	2035
JCT-100	JCT	ACP	Treated	1	1980	44	55	11	2035
JCT-101	JCT	ACP	Treated	1	1980	44	55	11	2035
JCT-102	JCT	ACP	Treated	1	1980	44	55	11	2035
JCT-11	JCT	ACP	Treated	1	1980	44	55	11	2035
JCT-12	JCT	ACP	Treated	1	1980	44	55	11	2035
JCT-124	JCT	ACP	Treated	1	1980	44	55	11	2035
JCT-137	JCT	ACP	Treated	1	1980	44	55	11	2035
JCT-138	JCT	ACP	Treated	1	1980	44	55	11	2035
JCT-139	JCT	ACP	Treated	1	1980	44	55	11	2035
JCT-14	JCT	ACP	Treated	1	1980	44	55	11	2035
JCT-140	JCT	ACP	Treated	1	1980	44	55	11	2035
JCT-141	JCT	ACP	Treated	1	1980	44	55	11	2035
JCT-142	JCT	ACP	Treated	1	1980	44	55	11	2035
JCT-143	JCT	ACP	Treated	1	1980	44	55	11	2035
JCT-15	JCT	ACP	Treated	1	1980	44	55	11	2035
JCT-16	JCT	ACP	Treated	1	1980	44	55	11	2035
JCT-160	JCT	ACP	Raw	1	1980	44	55	11	2035
JCT-162	JCT	ACP	Raw	1	1980	44	55	11	2035
JCT-17	JCT	ACP	Treated	1	1980	44	55	11	2035
JCT-18	JCT	ACP	Treated	1	1980	44	55	11	2035
JCT-2	JCT	ACP	Treated	1	1980	44	55	11	2035
JCT-20	JCT	ACP	Treated	1	1980	44	55	11	2035
JCT-21	JCT	ACP	Treated	1	1980	44	55	11	2035
JCT-22	JCT	ACP	Treated	1	1980	44	55	11	2035
JCT-23	JCT	ACP	Treated	1	1980	44	55	11	2035
JCT-24	JCT	ACP	Treated	1	1980	44	55	11	2035
JCT-25	JCT	ACP	Treated	1	1980	44	55	11	2035
JCT-26	JCT	ACP	Treated	1	1980	44	55	11	2035
JCT-27	JCT	ACP	Treated	1	1980	44	55	11	2035
JCT-28	JCT	ACP	Treated	1	1980	44	55	11	2035
JCT-29	JCT	ACP	Treated	1	1980	44	55	11	2035
JCT-3	JCT	ACP	Treated	1	1980	44	55	11	2035
JCT-30	JCT	ACP	Treated	1	1980	44	55	11	2035
JCT-31	JCT	ACP	Treated	1	1980	44	55	11	2035
JCT-32	JCT	ACP	Treated	1	1980	44	55	11	2035
JCT-33	JCT	ACP	Treated	1	1980	44	55	11	2035
JCT-34	JCT	ACP	Treated	1	1980	44	55	11	2035
JCT-35	JCT	ACP	Treated	1	1980	44	55	11	2035
JCT-36	JCT	ACP	Treated	1	1980	44	55	11	2035
JCT-38	JCT	ACP	Treated	1	1980	44	55	11	2035
JCT-40	JCT	ACP	Treated	1	1980	44	55	11	2035
JCT-43	JCT	ACP	Treated	1	1980	44	55	11	2035
JCT-44	JCT	ACP	Treated	1	1980	44	55	11	2035
JCT-45	JCT	ACP	Treated	1	1980	44	55	11	2035
JCT-46	JCT	ACP	Treated	1	1980	44	55	11	2035
JCT-47	JCT	ACP	Treated	1	1980	44	55	11	2035
JCT-48	JCT	ACP	Treated	1	1980	44	55	11	2035
JCT-49	JCT	ACP	Treated	1	1980	44	55	11	2035

RMCS D APPURTENANCE INVENTORY (DRAFT)

ID	Item	Material	System	Quantity	Install Year	AGE	Est Life	Estimated Remaining Life	Replacement Year
JCT-5	JCT	ACP	Treated	1	1980	44	55	11	2035
JCT-50	JCT	ACP	Treated	1	1980	44	55	11	2035
JCT-51	JCT	ACP	Treated	1	1980	44	55	11	2035
JCT-52	JCT	ACP	Treated	1	1980	44	55	11	2035
JCT-53	JCT	ACP	Treated	1	1980	44	55	11	2035
JCT-55	JCT	ACP	Treated	1	1980	44	55	11	2035
JCT-56	JCT	ACP	Treated	1	1980	44	55	11	2035
JCT-57	JCT	ACP	Treated	1	1980	44	55	11	2035
JCT-58	JCT	ACP	Treated	1	1980	44	55	11	2035
JCT-59	JCT	ACP	Treated	1	1980	44	55	11	2035
JCT-7	JCT	ACP	Treated	1	1980	44	55	11	2035
JCT-755	JCT	ACP	Raw	1	1980	44	55	11	2035
JCT-8	JCT	ACP	Treated	1	1980	44	55	11	2035
JCT-899	JCT	ACP	Raw	1	1980	44	55	11	2035
JCT-9	JCT	ACP	Treated	1	1980	44	55	11	2035
JCT-900	JCT	ACP	Raw	1	1980	44	55	11	2035
JCT-901	JCT	ACP	Raw	1	1980	44	55	11	2035
JCT-902	JCT	ACP	Raw	1	1980	44	55	11	2035
JCT-903	JCT	ACP	Raw	1	1980	44	55	11	2035
JCT-93	JCT	ACP	Treated	1	1980	44	55	11	2035
JCT-94	JCT	ACP	Treated	1	1980	44	55	11	2035
JCT-95	JCT	ACP	Treated	1	1980	44	55	11	2035
JCT-97	JCT	ACP	Treated	1	1980	44	55	11	2035
JCT-98	JCT	ACP	Treated	1	1980	44	55	11	2035
JCT-99	JCT	ACP	Treated	1	1980	44	55	11	2035
CO-1	CO	AC	Gravity	1	1980	44	55	11	2035
CO-17	CO	AC	Gravity	1	1980	44	55	11	2035
CO-2	CO	AC	Gravity	1	1980	44	55	11	2035
CO-237	CO	AC	Gravity	1	1980	44	55	11	2035
CO-240	CO	AC	Gravity	1	1980	44	55	11	2035
CO-241	CO	AC	Gravity	1	1980	44	55	11	2035
CO-242	CO	AC	Gravity	1	1980	44	55	11	2035
CO-243	CO	AC	Gravity	1	1980	44	55	11	2035
CO-244	CO	AC	Gravity	1	1980	44	55	11	2035
CO-245	CO	AC	Gravity	1	1980	44	55	11	2035
CO-246	CO	AC	Gravity	1	1980	44	55	11	2035
CO-247	CO	AC	Gravity	1	1980	44	55	11	2035
CO-248	CO	AC	Gravity	1	1980	44	55	11	2035
CO-249	CO	AC	Gravity	1	1980	44	55	11	2035
CO-25	CO	AC	Gravity	1	1980	44	55	11	2035
CO-250	CO	AC	Gravity	1	1980	44	55	11	2035
CO-251	CO	AC	Gravity	1	1980	44	55	11	2035
CO-26	CO	AC	Gravity	1	1980	44	55	11	2035
CO-27	CO	AC	Gravity	1	1980	44	55	11	2035
CO-28	CO	AC	Gravity	1	1980	44	55	11	2035
CO-3	CO	AC	Gravity	1	1980	44	55	11	2035
CO-30	CO	AC	Gravity	1	1980	44	55	11	2035
CO-31	CO	AC	Gravity	1	1980	44	55	11	2035
CO-32	CO	AC	Gravity	1	1980	44	55	11	2035
CO-33	CO	AC	Gravity	1	1980	44	55	11	2035
CO-34	CO	AC	Gravity	1	1980	44	55	11	2035
CO-35	CO	AC	Gravity	1	1980	44	55	11	2035
CO-36	CO	AC	Gravity	1	1980	44	55	11	2035
CO-37	CO	AC	Gravity	1	1980	44	55	11	2035
CO-38	CO	AC	Gravity	1	1980	44	55	11	2035
CO-39	CO	AC	Gravity	1	1980	44	55	11	2035
CO-4	CO	AC	Gravity	1	1980	44	55	11	2035
CO-40	CO	AC	Gravity	1	1980	44	55	11	2035
CO-41	CO	AC	Gravity	1	1980	44	55	11	2035
CO-42	CO	AC	Gravity	1	1980	44	55	11	2035
CO-43	CO	AC	Gravity	1	1980	44	55	11	2035
CO-44	CO	AC	Gravity	1	1980	44	55	11	2035
CO-45	CO	AC	Gravity	1	1980	44	55	11	2035
CO-46	CO	AC	Gravity	1	1980	44	55	11	2035
CO-47	CO	AC	Gravity	1	1980	44	55	11	2035
CO-48	CO	AC	Gravity	1	1980	44	55	11	2035
CO-49	CO	AC	Gravity	1	1980	44	55	11	2035

RMCS D APPURTENANCE INVENTORY (DRAFT)

ID	Item	Material	System	Quantity	Install Year	AGE	Est Life	Estimated Remaining Life	Replacement Year
CO-5	CO	AC	Gravity	1	1980	44	55	11	2035
CO-50	CO	AC	Gravity	1	1980	44	55	11	2035
CO-58	CO	AC	Gravity	1	1980	44	55	11	2035
CO-59	CO	AC	Gravity	1	1980	44	55	11	2035
CO-60	CO	AC	Gravity	1	1980	44	55	11	2035
CO-61	CO	AC	Gravity	1	1980	44	55	11	2035
CO-62	CO	AC	Gravity	1	1980	44	55	11	2035
CO-63	CO	AC	Gravity	1	1980	44	55	11	2035
CO-64	CO	AC	Gravity	1	1980	44	55	11	2035
CO-8	CO	AC	Gravity	1	1980	44	55	11	2035
CO-9	CO	AC	Gravity	1	1980	44	55	11	2035
MH-1	MH	AC	Gravity	1	1980	44	55	11	2035
MH-10	MH	AC	Gravity	1	1980	44	55	11	2035
MH-105	MH	AC	Gravity	1	1980	44	55	11	2035
MH-106	MH	AC	Gravity	1	1980	44	55	11	2035
MH-107	MH	AC	Gravity	1	1980	44	55	11	2035
MH-108	MH	AC	Gravity	1	1980	44	55	11	2035
MH-109	MH	AC	Gravity	1	1980	44	55	11	2035
MH-11	MH	AC	Gravity	1	1980	44	55	11	2035
MH-110	MH	AC	Gravity	1	1980	44	55	11	2035
MH-111	MH	AC	Gravity	1	1980	44	55	11	2035
MH-112	MH	AC	Gravity	1	1980	44	55	11	2035
MH-113	MH	AC	Gravity	1	1980	44	55	11	2035
MH-114	MH	AC	Gravity	1	1980	44	55	11	2035
MH-115	MH	AC	Gravity	1	1980	44	55	11	2035
MH-116	MH	AC	Gravity	1	1980	44	55	11	2035
MH-117	MH	AC	Gravity	1	1980	44	55	11	2035
MH-118	MH	AC	Gravity	1	1980	44	55	11	2035
MH-119	MH	AC	Gravity	1	1980	44	55	11	2035
MH-120	MH	AC	Gravity	1	1980	44	55	11	2035
MH-121	MH	AC	Gravity	1	1980	44	55	11	2035
MH-122	MH	AC	Gravity	1	1980	44	55	11	2035
MH-123	MH	AC	Gravity	1	1980	44	55	11	2035
MH-124	MH	AC	Gravity	1	1980	44	55	11	2035
MH-126	MH	AC	Gravity	1	1980	44	55	11	2035
MH-127	MH	AC	Gravity	1	1980	44	55	11	2035
MH-128	MH	AC	Gravity	1	1980	44	55	11	2035
MH-13	MH	AC	Gravity	1	1980	44	55	11	2035
MH-130	MH	AC	Gravity	1	1980	44	55	11	2035
MH-131	MH	AC	Gravity	1	1980	44	55	11	2035
MH-132	MH	AC	Gravity	1	1980	44	55	11	2035
MH-134	MH	AC	Gravity	1	1980	44	55	11	2035
MH-135	MH	AC	Gravity	1	1980	44	55	11	2035
MH-136	MH	AC	Gravity	1	1980	44	55	11	2035
MH-137	MH	AC	Gravity	1	1980	44	55	11	2035
MH-138	MH	AC	Gravity	1	1980	44	55	11	2035
MH-139	MH	AC	Gravity	1	1980	44	55	11	2035
MH-140	MH	AC	Gravity	1	1980	44	55	11	2035
MH-141	MH	AC	Gravity	1	1980	44	55	11	2035
MH-142	MH	AC	Gravity	1	1980	44	55	11	2035
MH-143	MH	AC	Gravity	1	1980	44	55	11	2035
MH-144	MH	AC	Gravity	1	1980	44	55	11	2035
MH-145	MH	AC	Gravity	1	1980	44	55	11	2035
MH-148	MH	AC	Gravity	1	1980	44	55	11	2035
MH-149	MH	AC	Gravity	1	1980	44	55	11	2035
MH-150	MH	AC	Gravity	1	1980	44	55	11	2035
MH-151	MH	AC	Gravity	1	1980	44	55	11	2035
MH-152	MH	AC	Gravity	1	1980	44	55	11	2035
MH-153	MH	AC	Gravity	1	1980	44	55	11	2035
MH-154	MH	AC	Gravity	1	1980	44	55	11	2035
MH-155	MH	AC	Gravity	1	1980	44	55	11	2035
MH-156	MH	AC	Gravity	1	1980	44	55	11	2035
MH-157	MH	AC	Gravity	1	1980	44	55	11	2035
MH-158	MH	AC	Gravity	1	1980	44	55	11	2035
MH-159	MH	AC	Gravity	1	1980	44	55	11	2035
MH-160	MH	AC	Gravity	1	1980	44	55	11	2035
MH-162	MH	AC	Gravity	1	1980	44	55	11	2035

RMCS D APPURTENANCE INVENTORY (DRAFT)

ID	Item	Material	System	Quantity	Install Year	AGE	Est Life	Estimated Remaining Life	Replacement Year
MH-163	MH	AC	Gravity	1	1980	44	55	11	2035
MH-164	MH	AC	Gravity	1	1980	44	55	11	2035
MH-165	MH	AC	Gravity	1	1980	44	55	11	2035
MH-166	MH	AC	Gravity	1	1980	44	55	11	2035
MH-168	MH	AC	Gravity	1	1980	44	55	11	2035
MH-169	MH	AC	Gravity	1	1980	44	55	11	2035
MH-170	MH	AC	Gravity	1	1980	44	55	11	2035
MH-171	MH	AC	Gravity	1	1980	44	55	11	2035
MH-172	MH	AC	Gravity	1	1980	44	55	11	2035
MH-173	MH	AC	Gravity	1	1980	44	55	11	2035
MH-174	MH	AC	Gravity	1	1980	44	55	11	2035
MH-175	MH	AC	Gravity	1	1980	44	55	11	2035
MH-19	MH	AC	Gravity	1	1980	44	55	11	2035
MH-191	MH	AC	Gravity	1	1980	44	55	11	2035
MH-2	MH	AC	Gravity	1	1980	44	55	11	2035
MH-20	MH	AC	Gravity	1	1980	44	55	11	2035
MH-22	MH	AC	Gravity	1	1980	44	55	11	2035
MH-226	MH	AC	Gravity	1	1980	44	55	11	2035
MH-227	MH	AC	Gravity	1	1980	44	55	11	2035
MH-228	MH	AC	Gravity	1	1980	44	55	11	2035
MH-23	MH	AC	Gravity	1	1980	44	55	11	2035
MH-233	MH	AC	Gravity	1	1980	44	55	11	2035
MH-234	MH	AC	Gravity	1	1980	44	55	11	2035
MH-235	MH	AC	Gravity	1	1980	44	55	11	2035
MH-236	MH	AC	Gravity	1	1980	44	55	11	2035
MH-237	MH	AC	Gravity	1	1980	44	55	11	2035
MH-238	MH	AC	Gravity	1	1980	44	55	11	2035
MH-239	MH	AC	Gravity	1	1980	44	55	11	2035
MH-240	MH	AC	Gravity	1	1980	44	55	11	2035
MH-241	MH	AC	Gravity	1	1980	44	55	11	2035
MH-242	MH	AC	Gravity	1	1980	44	55	11	2035
MH-243	MH	AC	Gravity	1	1980	44	55	11	2035
MH-246	MH	AC	Gravity	1	1980	44	55	11	2035
MH-247	MH	AC	Gravity	1	1980	44	55	11	2035
MH-249	MH	AC	Gravity	1	1980	44	55	11	2035
MH-25	MH	AC	Gravity	1	1980	44	55	11	2035
MH-26	MH	AC	Gravity	1	1980	44	55	11	2035
MH-28	MH	AC	Gravity	1	1980	44	55	11	2035
MH-3	MH	AC	Gravity	1	1980	44	55	11	2035
MH-4	MH	AC	Gravity	1	1980	44	55	11	2035
MH-5	MH	AC	Gravity	1	1980	44	55	11	2035
MH-6	MH	AC	Gravity	1	1980	44	55	11	2035
MH-7	MH	AC	Gravity	1	1980	44	55	11	2035
MH-741	MH	AC	Gravity	1	1980	44	55	11	2035
MH-777	MH	AC	Gravity	1	1980	44	55	11	2035
MH-778	MH	AC	Gravity	1	1980	44	55	11	2035
MH-779	MH	AC	Gravity	1	1980	44	55	11	2035
MH-780	MH	AC	Gravity	1	1980	44	55	11	2035
MH-781	MH	AC	Gravity	1	1980	44	55	11	2035
MH-782	MH	AC	Gravity	1	1980	44	55	11	2035
MH-783	MH	AC	Gravity	1	1980	44	55	11	2035
MH-784	MH	AC	Gravity	1	1980	44	55	11	2035
MH-82	MH	AC	Gravity	1	1980	44	55	11	2035
MH-83	MH	AC	Gravity	1	1980	44	55	11	2035
MH-84	MH	AC	Gravity	1	1980	44	55	11	2035
MH-85	MH	AC	Gravity	1	1980	44	55	11	2035
MH-9	MH	AC	Gravity	1	1980	44	55	11	2035
JCT-37	JCT	ACP	Treated	1	1980	44	55	11	2035
JCT-171	JCT	ACP	Raw	1	1980	44	55	11	2035
JCT-19	JCT	ACP	Treated	1	1980	44	55	11	2035
GV-28	GV	ACP	Treated	1	1980	44	55	11	2035
BO-44	BO	ACP	Treated	1	1980	44	55	11	2035
BO-5	BO	ACP	Treated	1	1980	44	55	11	2035
JCT-13	JCT	ACP	Treated	1	1980	44	55	11	2035
FH-38	FH	ACP	Treated	1	1980	44	55	11	2035
BO-60	BO	ACP	Treated	1	1980	44	55	11	2035
FH-39	FH	ACP	Treated	1	1980	44	55	11	2035

RMCS D APPURTENANCE INVENTORY (DRAFT)

ID	Item	Material	System	Quantity	Install Year	AGE	Est Life	Estimated Remaining Life	Replacement Year
JCT-144	JCT	ACP	Treated	1	1980	44	55	11	2035
FH-3	FH	ACP	Treated	1	1980	44	55	11	2035
BO-8	BO	ACP	Treated	1	1980	44	55	11	2035
BO-71	BO	ACP	Raw	1	1980	44	55	11	2035
BO-90	BO	ACP	Raw	1	1980	44	55	11	2035
BO-91	BO	ACP	Raw	1	1980	44	55	11	2035
CAP-3	CAP	ACP	Treated	1	1980	44	55	11	2035
FH-6	FH	ACP	Treated	1	1980	44	55	11	2035
FH-8	FH	ACP	Treated	1	1980	44	55	11	2035
FH-9	FH	ACP	Treated	1	1980	44	55	11	2035
BO-18	BO	ACP	Treated	1	1980	44	55	11	2035
JCT-4	JCT	ACP	Treated	1	1980	44	55	11	2035
JCT-39	JCT	ACP	Treated	1	1980	44	55	11	2035
JCT-41	JCT	ACP	Treated	1	1980	44	55	11	2035
FH-11	FH	ACP	Treated	1	1980	44	55	11	2035
BO-24	BO	ACP	Treated	1	1980	44	55	11	2035
BO-23	BO	ACP	Treated	1	1980	44	55	11	2035
BO-234	BO	ACP	Treated	1	1980	44	55	11	2035
FH-13	FH	ACP	Treated	1	1980	44	55	11	2035
BO-26	BO	ACP	Treated	1	1980	44	55	11	2035
JCT-54	JCT	ACP	Treated	1	1980	44	55	11	2035
JCT-6	JCT	ACP	Treated	1	1980	44	55	11	2035
ARV-1	ARV	ACP	Treated	1	1980	44	55	11	2035
ARV-4	ARV	ACP	Treated	1	1980	44	55	11	2035
BO-6	BO	ACP	Treated	1	1980	44	55	11	2035
ARV-5	ARV	ACP	Treated	1	1980	44	55	11	2035
BO-7	BO	ACP	Treated	1	1980	44	55	11	2035
ARV-39	ARV	ACP	Treated	1	1980	44	55	11	2035
BO-59	BO	ACP	Treated	1	1980	44	55	11	2035
ARV-40	ARV	ACP	Treated	1	1980	44	55	11	2035
BO-9	BO	ACP	Treated	1	1980	44	55	11	2035
ARV-8	ARV	ACP	Treated	1	1980	44	55	11	2035
ARV-9	ARV	ACP	Treated	1	1980	44	55	11	2035
BO-17	BO	ACP	Treated	1	1980	44	55	11	2035
ARV-14	ARV	ACP	Treated	1	1980	44	55	11	2035
BO-22	BO	ACP	Treated	1	1980	44	55	11	2035
BO-3	BO	ACP	Treated	1	1980	44	55	11	2035
ARV-17	ARV	ACP	Treated	1	1980	44	55	11	2035
BO-27	BO	ACP	Treated	1	1980	44	55	11	2035
ARV-18	ARV	ACP	Treated	1	1980	44	55	11	2035
BO-28	BO	ACP	Treated	1	1980	44	55	11	2035
BO-42	BO	ACP	Treated	1	1980	44	55	11	2035
BO-4	BO	ACP	Treated	1	1980	44	55	11	2035
BO-58	BO	ACP	Treated	1	1980	44	55	11	2035
GV-538	GV	ACP	Treated	1	1981	43	55	12	2036
GV-553	GV	ACP	Treated	1	1981	43	55	12	2036
MH-664	MH	ACP	Gravity	1	1982	42	55	13	2037
MH-666	MH	ACP	Gravity	1	1982	42	55	13	2037
BO-177	BO	ACP	Reclaimed	1	1983	41	55	14	2038
BO-178	BO	ACP	Reclaimed	1	1983	41	55	14	2038
BO-179	BO	ACP	Reclaimed	1	1983	41	55	14	2038
BO-180	BO	ACP	Reclaimed	1	1983	41	55	14	2038
BO-181	BO	ACP	Reclaimed	1	1983	41	55	14	2038
BO-221	BO	ACP	Reclaimed	1	1983	41	55	14	2038
JCT-489	JCT	ACP	Reclaimed	1	1983	41	55	14	2038
JCT-490	JCT	ACP	Reclaimed	1	1983	41	55	14	2038
JCT-491	JCT	ACP	Reclaimed	1	1983	41	55	14	2038
JCT-492	JCT	ACP	Reclaimed	1	1983	41	55	14	2038
JCT-493	JCT	ACP	Reclaimed	1	1983	41	55	14	2038
JCT-494	JCT	ACP	Reclaimed	1	1983	41	55	14	2038
CO-29	CO	AC	Gravity	1	1983	41	55	14	2038
MH-129	MH	AC	Gravity	1	1983	41	55	14	2038
MH-102	MH	VCP	Gravity	1	1978	46	60	14	2038
ARV-128	ARV	ACP	Reclaimed	1	1983	41	55	14	2038
ARV-129	ARV	ACP	Reclaimed	1	1983	41	55	14	2038
ARV-130	ARV	ACP	Reclaimed	1	1983	41	55	14	2038
ARV-131	ARV	ACP	Reclaimed	1	1983	41	55	14	2038

RMCS D APPURTENANCE INVENTORY (DRAFT)

ID	Item	Material	System	Quantity	Install Year	AGE	Est Life	Estimated Remaining Life	Replacement Year
ARV-132	ARV	ACP	Reclaimed	1	1983	41	55	14	2038
ARV-133	ARV	ACP	Reclaimed	1	1983	41	55	14	2038
ARV-165	ARV	ACP	Treated	1	1985	39	55	16	2040
ARV-166	ARV	ACP	Treated	1	1985	39	55	16	2040
ARV-167	ARV	ACP	Treated	1	1985	39	55	16	2040
ARV-168	ARV	ACP	Treated	1	1985	39	55	16	2040
ARV-21	ARV	ACP	Treated	1	1985	39	55	16	2040
ARV-22	ARV	ACP	Treated	1	1985	39	55	16	2040
ARV-23	ARV	ACP	Treated	1	1985	39	55	16	2040
ARV-24	ARV	ACP	Treated	1	1985	39	55	16	2040
ARV-31	ARV	ACP	Treated	1	1985	39	55	16	2040
ARV-33	ARV	ACP	Treated	1	1985	39	55	16	2040
ARV-34	ARV	ACP	Treated	1	1985	39	55	16	2040
BO-230	BO	ACP	Treated	1	1985	39	55	16	2040
BO-231	BO	ACP	Treated	1	1985	39	55	16	2040
BO-233	BO	ACP	Treated	1	1985	39	55	16	2040
BO-31	BO	ACP	Treated	1	1985	39	55	16	2040
BO-32	BO	ACP	Treated	1	1985	39	55	16	2040
BO-34	BO	ACP	Treated	1	1985	39	55	16	2040
BO-35	BO	ACP	Treated	1	1985	39	55	16	2040
BO-47	BO	ACP	Treated	1	1985	39	55	16	2040
BO-49	BO	ACP	Treated	1	1985	39	55	16	2040
BO-50	BO	ACP	Treated	1	1985	39	55	16	2040
BO-51	BO	ACP	Treated	1	1985	39	55	16	2040
BO-52	BO	ACP	Treated	1	1985	39	55	16	2040
BO-53	BO	ACP	Treated	1	1985	39	55	16	2040
BO-54	BO	ACP	Treated	1	1985	39	55	16	2040
FH-18	FH	ACP	Treated	1	1985	39	55	16	2040
FH-19	FH	ACP	Treated	1	1985	39	55	16	2040
FH-280	FH	ACP	Treated	1	1985	39	55	16	2040
FH-29	FH	ACP	Treated	1	1985	39	55	16	2040
FH-30	FH	ACP	Treated	1	1985	39	55	16	2040
GV-1000	GV	ACP	Treated	1	1985	39	55	16	2040
GV-1003	GV	ACP	Treated	1	1985	39	55	16	2040
GV-1004	GV	ACP	Treated	1	1985	39	55	16	2040
GV-117	GV	ACP	Treated	1	1985	39	55	16	2040
GV-118	GV	ACP	Treated	1	1985	39	55	16	2040
GV-119	GV	ACP	Treated	1	1985	39	55	16	2040
GV-120	GV	ACP	Treated	1	1985	39	55	16	2040
GV-122	GV	ACP	Treated	1	1985	39	55	16	2040
GV-123	GV	ACP	Treated	1	1985	39	55	16	2040
GV-124	GV	ACP	Treated	1	1985	39	55	16	2040
GV-125	GV	ACP	Treated	1	1985	39	55	16	2040
GV-126	GV	ACP	Treated	1	1985	39	55	16	2040
GV-127	GV	ACP	Treated	1	1985	39	55	16	2040
GV-128	GV	ACP	Treated	1	1985	39	55	16	2040
GV-71	GV	ACP	Treated	1	1985	39	55	16	2040
GV-72	GV	ACP	Treated	1	1985	39	55	16	2040
GV-73	GV	ACP	Treated	1	1985	39	55	16	2040
GV-74	GV	ACP	Treated	1	1985	39	55	16	2040
GV-75	GV	ACP	Treated	1	1985	39	55	16	2040
GV-76	GV	ACP	Treated	1	1985	39	55	16	2040
GV-78	GV	ACP	Treated	1	1985	39	55	16	2040
GV-79	GV	ACP	Treated	1	1985	39	55	16	2040
GV-80	GV	ACP	Treated	1	1985	39	55	16	2040
GV-81	GV	ACP	Treated	1	1985	39	55	16	2040
GV-84	GV	ACP	Treated	1	1985	39	55	16	2040
GV-85	GV	ACP	Treated	1	1985	39	55	16	2040
GV-999	GV	ACP	Treated	1	1985	39	55	16	2040
JCT-109	JCT	ACP	Treated	1	1985	39	55	16	2040
JCT-110	JCT	ACP	Treated	1	1985	39	55	16	2040
JCT-111	JCT	ACP	Treated	1	1985	39	55	16	2040
JCT-112	JCT	ACP	Treated	1	1985	39	55	16	2040
JCT-113	JCT	ACP	Treated	1	1985	39	55	16	2040

RMCS D APPURTENANCE INVENTORY (DRAFT)

ID	Item	Material	System	Quantity	Install Year	AGE	Est Life	Estimated Remaining Life	Replacement Year
JCT-114	JCT	ACP	Treated	1	1985	39	55	16	2040
JCT-115	JCT	ACP	Treated	1	1985	39	55	16	2040
JCT-116	JCT	ACP	Treated	1	1985	39	55	16	2040
JCT-117	JCT	ACP	Treated	1	1985	39	55	16	2040
JCT-118	JCT	ACP	Treated	1	1985	39	55	16	2040
JCT-119	JCT	ACP	Treated	1	1985	39	55	16	2040
JCT-120	JCT	ACP	Treated	1	1985	39	55	16	2040
JCT-121	JCT	ACP	Treated	1	1985	39	55	16	2040
JCT-122	JCT	ACP	Treated	1	1985	39	55	16	2040
JCT-66	JCT	ACP	Treated	1	1985	39	55	16	2040
JCT-68	JCT	ACP	Treated	1	1985	39	55	16	2040
JCT-69	JCT	ACP	Treated	1	1985	39	55	16	2040
JCT-71	JCT	ACP	Treated	1	1985	39	55	16	2040
JCT-72	JCT	ACP	Treated	1	1985	39	55	16	2040
JCT-74	JCT	ACP	Treated	1	1985	39	55	16	2040
JCT-77	JCT	ACP	Treated	1	1985	39	55	16	2040
JCT-863	JCT	ACP	Treated	1	1985	39	55	16	2040
JCT-864	JCT	ACP	Treated	1	1985	39	55	16	2040
JCT-865	JCT	ACP	Treated	1	1985	39	55	16	2040
JCT-866	JCT	ACP	Treated	1	1985	39	55	16	2040
JCT-867	JCT	ACP	Treated	1	1985	39	55	16	2040
JCT-869	JCT	ACP	Treated	1	1985	39	55	16	2040
JCT-876	JCT	ACP	Treated	1	1985	39	55	16	2040
MH-697	MH	AC	Gravity	1	1985	39	55	16	2040
MH-698	MH	AC	Gravity	1	1985	39	55	16	2040
JCT-868	JCT	ACP	Treated	1	1985	39	55	16	2040
JCT-73	JCT	ACP	Treated	1	1985	39	55	16	2040
JCT-75	JCT	ACP	Treated	1	1985	39	55	16	2040
GV-1001	GV	ACP	Treated	1	1985	39	55	16	2040
BO-232	BO	ACP	Treated	1	1985	39	55	16	2040
BO-48	BO	ACP	Treated	1	1985	39	55	16	2040
GV-121	GV	ACP	Treated	1	1985	39	55	16	2040
JCT-67	JCT	ACP	Treated	1	1985	39	55	16	2040
JCT-70	JCT	ACP	Treated	1	1985	39	55	16	2040
JCT-76	JCT	ACP	Treated	1	1985	39	55	16	2040
ARV-32	ARV	ACP	Treated	1	1985	39	55	16	2040
ARV-35	ARV	ACP	Treated	1	1985	39	55	16	2040
BO-33	BO	ACP	Treated	1	1985	39	55	16	2040
BO-229	BO	ACP	Treated	1	1985	39	55	16	2040
GV-1002	GV	ACP	Treated	1	1985	39	55	16	2040
ARV-67	ARV	ACP	Treated	1	1986	38	55	17	2041
BO-92	BO	ACP	Treated	1	1986	38	55	17	2041
FH-64	FH	ACP	Treated	1	1986	38	55	17	2041
FH-65	FH	ACP	Treated	1	1986	38	55	17	2041
GV-232	GV	ACP	Treated	1	1986	38	55	17	2041
GV-233	GV	ACP	Treated	1	1986	38	55	17	2041
GV-235	GV	ACP	Treated	1	1986	38	55	17	2041
JCT-238	JCT	ACP	Treated	1	1986	38	55	17	2041
JCT-239	JCT	ACP	Treated	1	1986	38	55	17	2041
JCT-240	JCT	ACP	Treated	1	1986	38	55	17	2041
JCT-241	JCT	ACP	Treated	1	1986	38	55	17	2041
JCT-756	JCT	ACP	Treated	1	1986	38	55	17	2041
MH-668	MH	AC	Gravity	1	1986	38	55	17	2041
MH-669	MH	AC	Gravity	1	1986	38	55	17	2041
MH-94	MH	AC	Gravity	1	1986	38	55	17	2041
MH-95	MH	AC	Gravity	1	1986	38	55	17	2041
MH-96	MH	AC	Gravity	1	1986	38	55	17	2041
MH-97	MH	AC	Gravity	1	1986	38	55	17	2041
GV-234	GV	ACP	Treated	1	1986	38	55	17	2041
BO-93	BO	ACP	Treated	1	1986	38	55	17	2041
ARV-68	ARV	ACP	Treated	1	1986	38	55	17	2041
FH-291	FH	ACP	Treated	1	1987	37	55	18	2042
FH-292	FH	ACP	Treated	1	1987	37	55	18	2042
FH-293	FH	ACP	Treated	1	1987	37	55	18	2042
GV-1022	GV	ACP	Treated	1	1987	37	55	18	2042
GV-478	GV	ACP	Treated	1	1987	37	55	18	2042
JCT-481	JCT	ACP	Treated	1	1987	37	55	18	2042

RMCS D APPURTENANCE INVENTORY (DRAFT)

ID	Item	Material	System	Quantity	Install Year	AGE	Est Life	Estimated Remaining Life	Replacement Year
JCT-884	JCT	ACP	Treated	1	1987	37	55	18	2042
JCT-885	JCT	ACP	Treated	1	1987	37	55	18	2042
GV-501	GV	DIP	Treated	1	1982	42	60	18	2042
GV-503	GV	DIP	Treated	1	1982	42	60	18	2042
JCT-516	JCT	DIP	Treated	1	1982	42	60	18	2042
GV-1020	GV	ACP	Treated	1	1987	37	55	18	2042
GV-1021	GV	ACP	Treated	1	1987	37	55	18	2042
ARV-126	ARV	ACP	Treated	1	1987	37	55	18	2042
ARV-136	ARV	DIP	Treated	1	1982	42	60	18	2042
FH-152	FH	ACP	Treated	1	1988	36	55	19	2043
GV-527	GV	ACP	Treated	1	1988	36	55	19	2043
GV-528	GV	ACP	Treated	1	1988	36	55	19	2043
GV-531	GV	ACP	Treated	1	1988	36	55	19	2043
GV-537	GV	ACP	Treated	1	1988	36	55	19	2043
GV-540	GV	ACP	Treated	1	1988	36	55	19	2043
GV-542	GV	ACP	Treated	1	1988	36	55	19	2043
GV-543	GV	ACP	Treated	1	1988	36	55	19	2043
GV-544	GV	ACP	Treated	1	1988	36	55	19	2043
GV-545	GV	ACP	Treated	1	1988	36	55	19	2043
GV-546	GV	ACP	Treated	1	1988	36	55	19	2043
GV-547	GV	ACP	Treated	1	1988	36	55	19	2043
GV-552	GV	ACP	Treated	1	1988	36	55	19	2043
GV-557	GV	ACP	Treated	1	1988	36	55	19	2043
GV-856	GV	ACP	Treated	1	1988	36	55	19	2043
GV-897	GV	ACP	Treated	1	1988	36	55	19	2043
GV-899	GV	ACP	Treated	1	1988	36	55	19	2043
GV-900	GV	ACP	Treated	1	1988	36	55	19	2043
GV-901	GV	ACP	Treated	1	1988	36	55	19	2043
GV-903	GV	ACP	Treated	1	1988	36	55	19	2043
JCT-532	JCT	ACP	Treated	1	1988	36	55	19	2043
JCT-533	JCT	ACP	Treated	1	1988	36	55	19	2043
JCT-534	JCT	ACP	Treated	1	1988	36	55	19	2043
JCT-536	JCT	ACP	Treated	1	1988	36	55	19	2043
JCT-537	JCT	ACP	Treated	1	1988	36	55	19	2043
JCT-538	JCT	ACP	Treated	1	1988	36	55	19	2043
JCT-541	JCT	ACP	Treated	1	1988	36	55	19	2043
JCT-542	JCT	ACP	Treated	1	1988	36	55	19	2043
JCT-543	JCT	ACP	Treated	1	1988	36	55	19	2043
JCT-544	JCT	ACP	Treated	1	1988	36	55	19	2043
JCT-545	JCT	ACP	Treated	1	1988	36	55	19	2043
JCT-546	JCT	ACP	Treated	1	1988	36	55	19	2043
JCT-552	JCT	ACP	Treated	1	1988	36	55	19	2043
JCT-553	JCT	ACP	Treated	1	1988	36	55	19	2043
JCT-554	JCT	ACP	Treated	1	1988	36	55	19	2043
JCT-557	JCT	ACP	Treated	1	1988	36	55	19	2043
JCT-795	JCT	ACP	Treated	1	1988	36	55	19	2043
JCT-796	JCT	ACP	Treated	1	1988	36	55	19	2043
JCT-797	JCT	ACP	Treated	1	1988	36	55	19	2043
FH-160	FH	ACP	Treated	1	1988	36	55	19	2043
FH-153	FH	ACP	Treated	1	1988	36	55	19	2043
GV-904	GV	ACP	Treated	1	1988	36	55	19	2043
FH-264	FH	ACP	Treated	1	1988	36	55	19	2043
FH-265	FH	ACP	Treated	1	1988	36	55	19	2043
GV-529	GV	ACP	Treated	1	1988	36	55	19	2043
GV-530	GV	ACP	Treated	1	1988	36	55	19	2043
GV-865	GV	ACP	Treated	1	1988	36	55	19	2043
GV-541	GV	ACP	Treated	1	1988	36	55	19	2043
GV-898	GV	ACP	Treated	1	1988	36	55	19	2043
GV-902	GV	ACP	Treated	1	1988	36	55	19	2043
JCT-549	JCT	ACP	Treated	1	1988	36	55	19	2043

RMCS D PIPE INVENTORY (DRAFT)

ID	Item	Material	System	Size (in)	Length (ft)	Install Year	AGE	Est Life	Estimated Remaining Life	Replacement Year
GV-569_JCT-566	PIPE	ACP	Treated	10	3	1969	55	55	0	2024
INVESTIGATE-9_GV-569	PIPE	ACP	Treated	10	109	1969	55	55	0	2024
JCT-520_JCT-575	PIPE	ACP	Treated	10	610	1969	55	55	0	2024
JCT-566_GV-570	PIPE	ACP	Treated	6	3	1969	55	55	0	2024
JCT-566_GV-571	PIPE	ACP	Treated	10	3	1969	55	55	0	2024
JCT-567_GV-571	PIPE	ACP	Treated	10	206	1969	55	55	0	2024
JCT-567_JCT-520	PIPE	ACP	Treated	10	83	1969	55	55	0	2024
TANK-3_GV-570	PIPE	ACP	Treated	10	821	1969	55	55	0	2024
Cantova_MH-666	PIPE	AC	Force	6	2448	1969	55	55	0	2024
FAA_MH-707	PIPE	ACP	Force	4	628	1969	55	55	0	2024
MH-674_Cantova	PIPE	ACP	Gravity	10	67	1969	55	55	0	2024
MH-675_MH-674	PIPE	ACP	Gravity	6	77	1969	55	55	0	2024
MH-701_MH-702	PIPE	ACP	Gravity	6	67	1969	55	55	0	2024
MH-702_MH-703	PIPE	ACP	Gravity	8	100	1969	55	55	0	2024
MH-703_MH-704	PIPE	ACP	Gravity	8	18	1969	55	55	0	2024
MH-704_FAA	PIPE	ACP	Gravity	8	293	1969	55	55	0	2024
MH-705_MH-703	PIPE	ACP	Gravity	8	220	1969	55	55	0	2024
MH-706_MH-705	PIPE	ACP	Gravity	8	229	1969	55	55	0	2024
MH-707_MH-708	PIPE	ACP	Gravity	8	234	1969	55	55	0	2024
MH-708_MH-709	PIPE	ACP	Gravity	8	118	1969	55	55	0	2024
MH-709_MH-712	PIPE	ACP	Gravity	8	194	1969	55	55	0	2024
MH-710_MH-674	PIPE	ACP	Gravity	8	280	1969	55	55	0	2024
MH-711_MH-710	PIPE	ACP	Gravity	8	290	1969	55	55	0	2024
MH-712_MH-711	PIPE	ACP	Gravity	8	291	1969	55	55	0	2024
MH-713_MH-675	PIPE	ACP	Gravity	6	317	1969	55	55	0	2024
FH-260_GV-884	PIPE	ACP	Treated	6	23	1971	53	55	2	2026
FH-261_GV-910	PIPE	ACP	Treated	6	13	1971	53	55	2	2026
GV-1011_JCT-859	PIPE	ACP	Treated	2	3	1971	53	55	2	2026
GV-1143_JCT-784	PIPE	ACP	Treated	10	102	1971	53	55	2	2026
GV-1145_JCT-847	PIPE	ACP	Treated	4	33	1971	53	55	2	2026
GV-866_JCT-767	PIPE	ACP	Treated	8	21	1971	53	55	2	2026
GV-876_JCT-778	PIPE	ACP	Treated	6	319	1971	53	55	2	2026
GV-877_FH-255	PIPE	ACP	Treated	6	8	1971	53	55	2	2026
GV-878_FH-257	PIPE	ACP	Treated	6	8	1971	53	55	2	2026
GV-879_JCT-780	PIPE	ACP	Treated	6	7	1971	53	55	2	2026
GV-880_JCT-854	PIPE	ACP	Treated	8	72	1971	53	55	2	2026
GV-881_FH-258	PIPE	ACP	Treated	6	8	1971	53	55	2	2026
GV-882_FH-259	PIPE	ACP	Treated	6	8	1971	53	55	2	2026
GV-883_JCT-781	PIPE	ACP	Treated	8	5	1971	53	55	2	2026
GV-883_JCT-956	PIPE	ACP	Treated	8	66	1971	53	55	2	2026
GV-884_JCT-782	PIPE	ACP	Treated	6	2	1971	53	55	2	2026
GV-885_JCT-858	PIPE	ACP	Treated	6	3	1971	53	55	2	2026
GV-886_JCT-783	PIPE	ACP	Treated	6	6	1971	53	55	2	2026
GV-887_FH-262	PIPE	ACP	Treated	6	51	1971	53	55	2	2026
GV-888_JCT-787	PIPE	ACP	Treated	6	5	1971	53	55	2	2026
GV-889_JCT-856	PIPE	ACP	Treated	6	94	1971	53	55	2	2026
GV-890_FH-263	PIPE	ACP	Treated	6	52	1971	53	55	2	2026
GV-907_JCT-799	PIPE	ACP	Treated	8	9	1971	53	55	2	2026
GV-908_JCT-851	PIPE	ACP	Treated	6	52	1971	53	55	2	2026
GV-909_FH-266	PIPE	ACP	Treated	6	81	1971	53	55	2	2026
GV-910_JCT-785	PIPE	ACP	Treated	6	2	1971	53	55	2	2026
GV-974_JCT-862	PIPE	ACP	Treated	6	90	1971	53	55	2	2026
GV-975_JCT-861	PIPE	ACP	Treated	6	121	1971	53	55	2	2026
GV-976_FH-256	PIPE	ACP	Treated	6	55	1971	53	55	2	2026
GV-976_JCT-778	PIPE	ACP	Treated	6	3	1971	53	55	2	2026
GV-981_JCT-846	PIPE	ACP	Treated	4	3	1971	53	55	2	2026
GV-984_JCT-850	PIPE	ACP	Treated	2	3	1971	53	55	2	2026
GV-985_JCT-851	PIPE	ACP	Treated	2	3	1971	53	55	2	2026
GV-986_JCT-852	PIPE	ACP	Treated	2	3	1971	53	55	2	2026
GV-987_JCT-853	PIPE	ACP	Treated	2	3	1971	53	55	2	2026
GV-988_JCT-854	PIPE	ACP	Treated	2	3	1971	53	55	2	2026
GV-989_JCT-855	PIPE	ACP	Treated	2	3	1971	53	55	2	2026
GV-996_JCT-860	PIPE	ACP	Treated	2	3	1971	53	55	2	2026
GV-997_JCT-861	PIPE	ACP	Treated	2	3	1971	53	55	2	2026
GV-998_JCT-862	PIPE	ACP	Treated	2	3	1971	53	55	2	2026
JCT-767_GV-990	PIPE	ACP	Treated	2	5	1971	53	55	2	2026

RMCS D PIPE INVENTORY (DRAFT)

ID	Item	Material	System	Size (in)	Length (ft)	Install Year	AGE	Est Life	Estimated Remaining Life	Replacement Year
JCT-777_GV-877	PIPE	ACP	Treated	6	3	1971	53	55	2	2026
JCT-777_JCT-767	PIPE	ACP	Treated	8	213	1971	53	55	2	2026
JCT-778_GV-977	PIPE	ACP	Treated	2	3	1971	53	55	2	2026
JCT-778_JCT-779	PIPE	ACP	Treated	6	266	1971	53	55	2	2026
JCT-779_GV-878	PIPE	ACP	Treated	6	2	1971	53	55	2	2026
JCT-779_GV-879	PIPE	ACP	Treated	6	38	1971	53	55	2	2026
JCT-780_GV-880	PIPE	ACP	Treated	8	4	1971	53	55	2	2026
JCT-780_JCT-853	PIPE	ACP	Treated	8	21	1971	53	55	2	2026
JCT-781_JCT-782	PIPE	ACP	Treated	10	41	1971	53	55	2	2026
JCT-782_JCT-783	PIPE	ACP	Treated	10	72	1971	53	55	2	2026
JCT-783_GV-1143	PIPE	ACP	Treated	10	303	1971	53	55	2	2026
JCT-784_GV-975	PIPE	ACP	Treated	6	2	1971	53	55	2	2026
JCT-784_JCT-785	PIPE	ACP	Treated	10	51	1971	53	55	2	2026
JCT-785_JCT-786	PIPE	ACP	Treated	10	103	1971	53	55	2	2026
JCT-786_GV-527	PIPE	ACP	Treated	10	236	1971	53	55	2	2026
JCT-786_GV-974	PIPE	ACP	Treated	6	2	1971	53	55	2	2026
JCT-787_GV-886	PIPE	ACP	Treated	6	88	1971	53	55	2	2026
JCT-788_GV-887	PIPE	ACP	Treated	6	5	1971	53	55	2	2026
JCT-788_JCT-859	PIPE	ACP	Treated	6	159	1971	53	55	2	2026
JCT-789_GV-889	PIPE	ACP	Treated	6	7	1971	53	55	2	2026
JCT-789_GV-909	PIPE	ACP	Treated	6	3	1971	53	55	2	2026
JCT-790_GV-890	PIPE	ACP	Treated	6	4	1971	53	55	2	2026
JCT-790_JCT-787	PIPE	ACP	Treated	6	203	1971	53	55	2	2026
JCT-798_GV-907	PIPE	ACP	Treated	8	187	1971	53	55	2	2026
JCT-798_JCT-847	PIPE	ACP	Treated	4	36	1971	53	55	2	2026
JCT-799_GV-908	PIPE	ACP	Treated	6	10	1971	53	55	2	2026
JCT-846_JCT-799	PIPE	ACP	Treated	8	180	1971	53	55	2	2026
JCT-847_GV-881	PIPE	ACP	Treated	6	2	1971	53	55	2	2026
JCT-849_GV-882	PIPE	ACP	Treated	6	9	1971	53	55	2	2026
JCT-849_GV-983	PIPE	ACP	Treated	4	103	1971	53	55	2	2026
JCT-850_JCT-849	PIPE	ACP	Treated	6	75	1971	53	55	2	2026
JCT-851_JCT-850	PIPE	ACP	Treated	6	30	1971	53	55	2	2026
JCT-852_JCT-798	PIPE	ACP	Treated	8	146	1971	53	55	2	2026
JCT-853_JCT-852	PIPE	ACP	Treated	8	212	1971	53	55	2	2026
JCT-854_JCT-855	PIPE	ACP	Treated	8	172	1971	53	55	2	2026
JCT-855_JCT-777	PIPE	ACP	Treated	8	15	1971	53	55	2	2026
JCT-856_GV-885	PIPE	ACP	Treated	6	464	1971	53	55	2	2026
JCT-856_GV-991	PIPE	ACP	Treated	4	3	1971	53	55	2	2026
JCT-857_JCT-789	PIPE	ACP	Treated	6	33	1971	53	55	2	2026
JCT-858_GV-995	PIPE	ACP	Treated	2	3	1971	53	55	2	2026
JCT-858_JCT-788	PIPE	ACP	Treated	6	376	1971	53	55	2	2026
JCT-859_GV-888	PIPE	ACP	Treated	6	146	1971	53	55	2	2026
JCT-860_JCT-781	PIPE	ACP	Treated	10	249	1971	53	55	2	2026
JCT-861_JCT-790	PIPE	ACP	Treated	6	176	1971	53	55	2	2026
JCT-862_JCT-857	PIPE	ACP	Treated	6	145	1971	53	55	2	2026
JCT-956_GV-1144	PIPE	ACP	Treated	2	3	1971	53	55	2	2026
JCT-956_JCT-846	PIPE	ACP	Treated	8	19	1971	53	55	2	2026
CO-117_NODE-23	PIPE	AC	Gravity	6	65	1971	53	55	2	2026
CO-118_NODE-2	PIPE	AC	Gravity	6	44	1971	53	55	2	2026
CO-140_NODE-4	PIPE	AC	Gravity	6	140	1971	53	55	2	2026
MH-714_Cantova	PIPE	AC	Gravity	6	164	1971	53	55	2	2026
MH-715_MH-714	PIPE	AC	Gravity	6	100	1971	53	55	2	2026
MH-716_NODE-1	PIPE	AC	Gravity	6	64	1971	53	55	2	2026
MH-717_NODE-3	PIPE	AC	Gravity	6	42	1971	53	55	2	2026
MH-718_NODE-7	PIPE	AC	Gravity	6	96	1971	53	55	2	2026
MH-719_NODE-8	PIPE	AC	Gravity	6	78	1971	53	55	2	2026
MH-720_NODE-9	PIPE	AC	Gravity	6	147	1971	53	55	2	2026
MH-721_MH-722	PIPE	AC	Gravity	6	71	1971	53	55	2	2026
MH-722_MH-730	PIPE	AC	Gravity	6	204	1971	53	55	2	2026
MH-723_MH-722	PIPE	AC	Gravity	6	257	1971	53	55	2	2026
MH-730_MH-731	PIPE	AC	Gravity	6	294	1971	53	55	2	2026
MH-731_MH-732	PIPE	AC	Gravity	6	121	1971	53	55	2	2026
MH-732_MH-734	PIPE	AC	Gravity	6	93	1971	53	55	2	2026
MH-733_NODE-15	PIPE	AC	Gravity	6	16	1971	53	55	2	2026
MH-734_NODE-21	PIPE	AC	Gravity	6	70	1971	53	55	2	2026
MH-735_MH-731	PIPE	AC	Gravity	6	76	1971	53	55	2	2026

RMCS D PIPE INVENTORY (DRAFT)

ID	Item	Material	System	Size (in)	Length (ft)	Install Year	AGE	Est Life	Estimated Remaining Life	Replacement Year
NODE-1_CO-117	PIPE	AC	Gravity	6	149	1971	53	55	2	2026
NODE-10_NODE-11	PIPE	AC	Gravity	6	61	1971	53	55	2	2026
NODE-12_MH-718	PIPE	AC	Gravity	6	55	1971	53	55	2	2026
NODE-15_NODE-16	PIPE	AC	Gravity	6	117	1971	53	55	2	2026
NODE-16_NODE-17	PIPE	AC	Gravity	6	21	1971	53	55	2	2026
NODE-17_NODE-18	PIPE	AC	Gravity	6	50	1971	53	55	2	2026
NODE-19_MH-731	PIPE	AC	Gravity	6	56	1971	53	55	2	2026
NODE-2_MH-716	PIPE	AC	Gravity	6	76	1971	53	55	2	2026
NODE-21_NODE-22	PIPE	AC	Gravity	6	98	1971	53	55	2	2026
NODE-22_MH-711	PIPE	AC	Gravity	6	92	1971	53	55	2	2026
NODE-23_MH-715	PIPE	AC	Gravity	6	53	1971	53	55	2	2026
NODE-3_CO-118	PIPE	AC	Gravity	6	178	1971	53	55	2	2026
NODE-4_MH-716	PIPE	AC	Gravity	6	64	1971	53	55	2	2026
NODE-5_CO-140	PIPE	AC	Gravity	6	73	1971	53	55	2	2026
NODE-6_NODE-5	PIPE	AC	Gravity	6	167	1971	53	55	2	2026
NODE-7_NODE-6	PIPE	AC	Gravity	6	54	1971	53	55	2	2026
NODE-8_MH-718	PIPE	AC	Gravity	6	93	1971	53	55	2	2026
STUB-4_MH-715	PIPE	AC	Gravity	6	187	1971	53	55	2	2026
CAP-32_GV-490	PIPE	ACP	Treated	8	69	1973	51	55	4	2028
GV-485_JCT-498	PIPE	ACP	Treated	8	2	1973	51	55	4	2028
GV-485_JCT-503	PIPE	ACP	Treated	8	108	1973	51	55	4	2028
GV-490_JCT-504	PIPE	ACP	Treated	8	10	1973	51	55	4	2028
GV-491_JCT-503	PIPE	ACP	Treated	2	93	1973	51	55	4	2028
GV-921_JCT-808	PIPE	ACP	Reclaimed	12	3	1973	51	55	4	2028
GV-923_JCT-535	PIPE	ACP	Treated	8	3	1973	51	55	4	2028
JCT-495_ARV-134	PIPE	ACP	Reclaimed	4	9	1973	51	55	4	2028
JCT-495_JCT-496	PIPE	ACP	Reclaimed	8	13	1973	51	55	4	2028
JCT-496_INVESTIGATE-2	PIPE	ACP	Reclaimed	4	15	1973	51	55	4	2028
JCT-496_JCT-497	PIPE	ACP	Reclaimed	8	912	1973	51	55	4	2028
JCT-497_GV-921	PIPE	ACP	Reclaimed	12	326	1973	51	55	4	2028
JCT-503_JCT-504	PIPE	ACP	Treated	8	411	1973	51	55	4	2028
JCT-504_JCT-806	PIPE	ACP	Treated	8	455	1973	51	55	4	2028
JCT-505_GV-491	PIPE	ACP	Treated	2	2	1973	51	55	4	2028
JCT-509_GV-923	PIPE	ACP	Treated	8	635	1973	51	55	4	2028
JCT-517_ARV-137	PIPE	ACP	Reclaimed	4	9	1973	51	55	4	2028
JCT-517_INVESTIGATE-6	PIPE	ACP	Reclaimed	12	1568	1973	51	55	4	2028
JCT-535_GV-832	PIPE	ACP	Treated	8	3	1973	51	55	4	2028
JCT-535_GV-833	PIPE	ACP	Treated	10	3	1973	51	55	4	2028
JCT-535_GV-924	PIPE	ACP	Treated	8	3	1973	51	55	4	2028
JCT-806_JCT-353	PIPE	ACP	Treated	8	283	1973	51	55	4	2028
JCT-808_JCT-517	PIPE	ACP	Reclaimed	12	2383	1973	51	55	4	2028
RED-18_JCT-497	PIPE	ACP	Reclaimed	12	14	1973	51	55	4	2028
Alameda_MH-356	PIPE	AC	Force	4	553	1973	51	55	4	2028
MH-346_MH-345	PIPE	AC	Gravity	8	155	1973	51	55	4	2028
MH-347_MH-346	PIPE	AC	Gravity	6	50	1973	51	55	4	2028
MH-348_MH-347	PIPE	AC	Gravity	6	243	1973	51	55	4	2028
MH-349_MH-347	PIPE	AC	Gravity	6	196	1973	51	55	4	2028
MH-350_MH-349	PIPE	AC	Gravity	6	393	1973	51	55	4	2028
MH-351_MH-350	PIPE	AC	Gravity	6	171	1973	51	55	4	2028
MH-352_MH-351	PIPE	AC	Gravity	6	107	1973	51	55	4	2028
MH-356_MH-699	PIPE	AC	Gravity	6	571	1973	51	55	4	2028
MH-665_MH-666	PIPE	ACP	Gravity	18	53	1973	51	55	4	2028
MH-699_MH-700	PIPE	AC	Gravity	6	373	1973	51	55	4	2028
MH-700_MH-346	PIPE	AC	Gravity	6	145	1973	51	55	4	2028
ARV-115_JCT-429	PIPE	ACP	Treated	4	9	1974	50	55	5	2029
BO-137_GV-387	PIPE	ACP	Treated	4	114	1974	50	55	5	2029
CAP-31_GV-362	PIPE	ACP	Treated	8	46	1974	50	55	5	2029
FH-101_JCT-359	PIPE	ACP	Treated	6	2	1974	50	55	5	2029
FH-110_GV-363	PIPE	ACP	Treated	6	12	1974	50	55	5	2029
FH-113_GV-370	PIPE	ACP	Treated	6	306	1974	50	55	5	2029
FH-115_JCT-397	PIPE	ACP	Treated	6	246	1974	50	55	5	2029
FH-121_GV-388	PIPE	ACP	Treated	6	14	1974	50	55	5	2029
FH-127_GV-409	PIPE	ACP	Treated	6	18	1974	50	55	5	2029
FH-130_GV-418	PIPE	ACP	Treated	6	16	1974	50	55	5	2029
FH-131_GV-421	PIPE	ACP	Treated	6	16	1974	50	55	5	2029
FH-132_GV-423	PIPE	ACP	Treated	6	24	1974	50	55	5	2029

RMCS D PIPE INVENTORY (DRAFT)

ID	Item	Material	System	Size (in)	Length (ft)	Install Year	AGE	Est Life	Estimated Remaining Life	Replacement Year
FH-133_GV-430	PIPE	ACP	Treated	6	15	1974	50	55	5	2029
FH-297_JCT-890	PIPE	ACP	Treated	6	2	1974	50	55	5	2029
FH-318_GV-1115	PIPE	ACP	Treated	6	7	1974	50	55	5	2029
FH-319_GV-1122	PIPE	ACP	Treated	6	4	1974	50	55	5	2029
FH-79_GV-272	PIPE	ACP	Treated	6	20	1974	50	55	5	2029
FH-83_GV-284	PIPE	ACP	Treated	6	42	1974	50	55	5	2029
FH-89_GV-300	PIPE	ACP	Treated	6	23	1974	50	55	5	2029
FH-97_JCT-348	PIPE	ACP	Treated	6	5	1974	50	55	5	2029
FH-99_JCT-352	PIPE	ACP	Treated	6	11	1974	50	55	5	2029
GV-1113_GV-333	PIPE	ACP	Treated	4	16	1974	50	55	5	2029
GV-1114_BO-253	PIPE	ACP	Treated	4	9	1974	50	55	5	2029
GV-1115_JCT-945	PIPE	ACP	Treated	6	7	1974	50	55	5	2029
GV-1117_BO-252	PIPE	ACP	Treated	4	205	1974	50	55	5	2029
GV-1118_JCT-434	PIPE	ACP	Treated	8	244	1974	50	55	5	2029
GV-1119_JCT-440	PIPE	ACP	Treated	8	249	1974	50	55	5	2029
GV-1120_JCT-444	PIPE	ACP	Treated	8	189	1974	50	55	5	2029
GV-1121_JCT-445	PIPE	ACP	Treated	8	3	1974	50	55	5	2029
GV-1122_JCT-947	PIPE	ACP	Treated	6	4	1974	50	55	5	2029
GV-1123_JCT-412	PIPE	ACP	Treated	6	3	1974	50	55	5	2029
GV-1124_GV-1125	PIPE	ACP	Treated	6	224	1974	50	55	5	2029
GV-1125_GV-1123	PIPE	ACP	Treated	6	112	1974	50	55	5	2029
GV-1126_JCT-413	PIPE	ACP	Treated	6	8	1974	50	55	5	2029
GV-1127_GV-1128	PIPE	ACP	Treated	6	252	1974	50	55	5	2029
GV-1127_JCT-414	PIPE	ACP	Treated	6	3	1974	50	55	5	2029
GV-1128_GV-394	PIPE	ACP	Treated	6	116	1974	50	55	5	2029
GV-1129_BO-146	PIPE	ACP	Treated	4	224	1974	50	55	5	2029
GV-1129_JCT-422	PIPE	ACP	Treated	4	4	1974	50	55	5	2029
GV-1130_GV-1131	PIPE	ACP	Treated	6	219	1974	50	55	5	2029
GV-1131_GV-1132	PIPE	ACP	Treated	6	138	1974	50	55	5	2029
GV-1132_GV-422	PIPE	ACP	Treated	6	14	1974	50	55	5	2029
GV-1133_GV-1134	PIPE	ACP	Treated	6	133	1974	50	55	5	2029
GV-1134_JCT-436	PIPE	ACP	Treated	6	183	1974	50	55	5	2029
GV-1135_GV-417	PIPE	ACP	Treated	6	401	1974	50	55	5	2029
GV-1136_GV-1137	PIPE	ACP	Treated	6	172	1974	50	55	5	2029
GV-1137_GV-428	PIPE	ACP	Treated	6	179	1974	50	55	5	2029
GV-1138_GV-1114	PIPE	ACP	Treated	4	136	1974	50	55	5	2029
GV-1139_GV-1140	PIPE	ACP	Treated	6	98	1974	50	55	5	2029
GV-1140_JCT-448	PIPE	ACP	Treated	6	46	1974	50	55	5	2029
GV-1141_BO-152	PIPE	ACP	Treated	4	10	1974	50	55	5	2029
GV-272_JCT-284	PIPE	ACP	Treated	6	4	1974	50	55	5	2029
GV-275_JCT-288	PIPE	ACP	Treated	8	4	1974	50	55	5	2029
GV-284_JCT-296	PIPE	ACP	Treated	6	3	1974	50	55	5	2029
GV-285_JCT-297	PIPE	ACP	Treated	10	7	1974	50	55	5	2029
GV-286_JCT-297	PIPE	ACP	Treated	8	20	1974	50	55	5	2029
GV-286_JCT-321	PIPE	ACP	Treated	8	151	1974	50	55	5	2029
GV-300_JCT-319	PIPE	ACP	Treated	6	2	1974	50	55	5	2029
GV-301_JCT-320	PIPE	ACP	Treated	8	5	1974	50	55	5	2029
GV-302_JCT-320	PIPE	ACP	Treated	8	3	1974	50	55	5	2029
GV-305_JCT-324	PIPE	ACP	Treated	8	4	1974	50	55	5	2029
GV-306_FH-90	PIPE	ACP	Treated	6	23	1974	50	55	5	2029
GV-308_JCT-327	PIPE	ACP	Treated	8	4	1974	50	55	5	2029
GV-328_JCT-362	PIPE	ACP	Treated	8	245	1974	50	55	5	2029
GV-332_JCT-353	PIPE	ACP	Treated	12	7	1974	50	55	5	2029
GV-332_JCT-945	PIPE	ACP	Treated	12	18	1974	50	55	5	2029
GV-333_JCT-355	PIPE	ACP	Treated	6	4	1974	50	55	5	2029
GV-334_JCT-356	PIPE	ACP	Treated	8	8	1974	50	55	5	2029
GV-334_JCT-449	PIPE	ACP	Treated	8	243	1974	50	55	5	2029
GV-335_JCT-358	PIPE	ACP	Treated	12	23	1974	50	55	5	2029
GV-336_GV-1138	PIPE	ACP	Treated	4	50	1974	50	55	5	2029
GV-337_JCT-359	PIPE	ACP	Treated	12	239	1974	50	55	5	2029
GV-338_JCT-407	PIPE	ACP	Treated	8	120	1974	50	55	5	2029
GV-339_JCT-360	PIPE	ACP	Treated	12	3	1974	50	55	5	2029
GV-339_JCT-890	PIPE	ACP	Treated	12	349	1974	50	55	5	2029
GV-340_JCT-328	PIPE	ACP	Treated	8	4	1974	50	55	5	2029
GV-340_JCT-364	PIPE	ACP	Treated	8	253	1974	50	55	5	2029
GV-341_JCT-328	PIPE	ACP	Treated	6	6	1974	50	55	5	2029

RMCS D PIPE INVENTORY (DRAFT)

ID	Item	Material	System	Size (in)	Length (ft)	Install Year	AGE	Est Life	Estimated Remaining Life	Replacement Year
GV-341_JCT-361	PIPE	ACP	Treated	6	74	1974	50	55	5	2029
GV-342_FH-102	PIPE	ACP	Treated	6	10	1974	50	55	5	2029
GV-343_JCT-362	PIPE	ACP	Treated	6	7	1974	50	55	5	2029
GV-345_FH-103	PIPE	ACP	Treated	6	22	1974	50	55	5	2029
GV-363_JCT-391	PIPE	ACP	Treated	6	4	1974	50	55	5	2029
GV-365_FH-111	PIPE	ACP	Treated	6	12	1974	50	55	5	2029
GV-366_JCT-392	PIPE	ACP	Treated	8	458	1974	50	55	5	2029
GV-367_JCT-393	PIPE	ACP	Treated	8	4	1974	50	55	5	2029
GV-368_FH-112	PIPE	ACP	Treated	6	45	1974	50	55	5	2029
GV-369_JCT-396	PIPE	ACP	Treated	8	131	1974	50	55	5	2029
GV-370_JCT-395	PIPE	ACP	Treated	6	4	1974	50	55	5	2029
GV-371_FH-114	PIPE	ACP	Treated	6	11	1974	50	55	5	2029
GV-372_JCT-397	PIPE	ACP	Treated	6	105	1974	50	55	5	2029
GV-373_JCT-423	PIPE	ACP	Treated	8	325	1974	50	55	5	2029
GV-374_JCT-400	PIPE	ACP	Treated	8	46	1974	50	55	5	2029
GV-375_FH-116	PIPE	ACP	Treated	6	46	1974	50	55	5	2029
GV-375_JCT-400	PIPE	ACP	Treated	6	3	1974	50	55	5	2029
GV-376_BO-135	PIPE	ACP	Treated	4	152	1974	50	55	5	2029
GV-377_FH-117	PIPE	ACP	Treated	6	11	1974	50	55	5	2029
GV-378_JCT-403	PIPE	ACP	Treated	8	256	1974	50	55	5	2029
GV-379_FH-118	PIPE	ACP	Treated	6	45	1974	50	55	5	2029
GV-380_BO-136	PIPE	ACP	Treated	4	283	1974	50	55	5	2029
GV-381_FH-119	PIPE	ACP	Treated	6	11	1974	50	55	5	2029
GV-382_JCT-404	PIPE	ACP	Treated	8	112	1974	50	55	5	2029
GV-383_JCT-422	PIPE	ACP	Treated	6	166	1974	50	55	5	2029
GV-384_GV-1124	PIPE	ACP	Treated	6	155	1974	50	55	5	2029
GV-385_FH-120	PIPE	ACP	Treated	6	4	1974	50	55	5	2029
GV-386_JCT-408	PIPE	ACP	Treated	8	239	1974	50	55	5	2029
GV-388_JCT-409	PIPE	ACP	Treated	6	3	1974	50	55	5	2029
GV-389_BO-138	PIPE	ACP	Treated	4	306	1974	50	55	5	2029
GV-389_JCT-410	PIPE	ACP	Treated	4	3	1974	50	55	5	2029
GV-390_JCT-411	PIPE	ACP	Treated	4	4	1974	50	55	5	2029
GV-391_FH-122	PIPE	ACP	Treated	6	23	1974	50	55	5	2029
GV-392_JCT-414	PIPE	ACP	Treated	6	311	1974	50	55	5	2029
GV-393_FH-123	PIPE	ACP	Treated	6	23	1974	50	55	5	2029
GV-395_JCT-425	PIPE	ACP	Treated	8	312	1974	50	55	5	2029
GV-396_JCT-415	PIPE	ACP	Treated	8	3	1974	50	55	5	2029
GV-397_FH-124	PIPE	ACP	Treated	6	48	1974	50	55	5	2029
GV-398_BO-140	PIPE	ACP	Treated	4	181	1974	50	55	5	2029
GV-399_BO-139	PIPE	ACP	Treated	4	99	1974	50	55	5	2029
GV-400_BO-142	PIPE	ACP	Treated	4	122	1974	50	55	5	2029
GV-401_ARV-114	PIPE	ACP	Treated	4	188	1974	50	55	5	2029
GV-402_BO-144	PIPE	ACP	Treated	4	152	1974	50	55	5	2029
GV-403_BO-143	PIPE	ACP	Treated	4	179	1974	50	55	5	2029
GV-404_JCT-418	PIPE	ACP	Treated	6	188	1974	50	55	5	2029
GV-405_FH-125	PIPE	ACP	Treated	6	14	1974	50	55	5	2029
GV-406_BO-145	PIPE	ACP	Treated	4	173	1974	50	55	5	2029
GV-407_FH-126	PIPE	ACP	Treated	6	7	1974	50	55	5	2029
GV-408_JCT-426	PIPE	ACP	Treated	6	124	1974	50	55	5	2029
GV-409_JCT-425	PIPE	ACP	Treated	6	3	1974	50	55	5	2029
GV-410_BO-147	PIPE	ACP	Treated	4	269	1974	50	55	5	2029
GV-411_FH-128	PIPE	ACP	Treated	6	16	1974	50	55	5	2029
GV-412_BO-148	PIPE	ACP	Treated	4	280	1974	50	55	5	2029
GV-414_FH-129	PIPE	ACP	Treated	6	22	1974	50	55	5	2029
GV-415_JCT-429	PIPE	ACP	Treated	6	175	1974	50	55	5	2029
GV-416_JCT-430	PIPE	ACP	Treated	8	18	1974	50	55	5	2029
GV-418_JCT-433	PIPE	ACP	Treated	6	3	1974	50	55	5	2029
GV-419_JCT-434	PIPE	ACP	Treated	8	4	1974	50	55	5	2029
GV-420_JCT-433	PIPE	ACP	Treated	6	218	1974	50	55	5	2029
GV-420_JCT-434	PIPE	ACP	Treated	6	3	1974	50	55	5	2029
GV-421_JCT-435	PIPE	ACP	Treated	6	3	1974	50	55	5	2029
GV-422_JCT-435	PIPE	ACP	Treated	6	13	1974	50	55	5	2029
GV-423_JCT-437	PIPE	ACP	Treated	6	3	1974	50	55	5	2029
GV-424_GV-302	PIPE	ACP	Treated	8	312	1974	50	55	5	2029
GV-424_JCT-438	PIPE	ACP	Treated	8	3	1974	50	55	5	2029
GV-425_JCT-438	PIPE	ACP	Treated	8	4	1974	50	55	5	2029

RMCS D PIPE INVENTORY (DRAFT)

ID	Item	Material	System	Size (in)	Length (ft)	Install Year	AGE	Est Life	Estimated Remaining Life	Replacement Year
GV-426_BO-149	PIPE	ACP	Treated	4	189	1974	50	55	5	2029
GV-427_BO-150	PIPE	ACP	Treated	4	90	1974	50	55	5	2029
GV-427_JCT-441	PIPE	ACP	Treated	4	7	1974	50	55	5	2029
GV-428_JCT-441	PIPE	ACP	Treated	6	6	1974	50	55	5	2029
GV-429_JCT-440	PIPE	ACP	Treated	8	7	1974	50	55	5	2029
GV-429_JCT-441	PIPE	ACP	Treated	8	5	1974	50	55	5	2029
GV-431_BO-151	PIPE	ACP	Treated	4	121	1974	50	55	5	2029
GV-432_JCT-461	PIPE	ACP	Treated	6	121	1974	50	55	5	2029
GV-433_JCT-443	PIPE	ACP	Treated	8	4	1974	50	55	5	2029
GV-434_FH-134	PIPE	ACP	Treated	6	15	1974	50	55	5	2029
GV-435_FH-135	PIPE	ACP	Treated	6	14	1974	50	55	5	2029
GV-436_GV-1121	PIPE	ACP	Treated	8	182	1974	50	55	5	2029
GV-437_GV-1139	PIPE	ACP	Treated	6	167	1974	50	55	5	2029
GV-438_FH-136	PIPE	ACP	Treated	6	7	1974	50	55	5	2029
GV-439_JCT-447	PIPE	ACP	Treated	8	253	1974	50	55	5	2029
GV-440_JCT-451	PIPE	ACP	Treated	6	216	1974	50	55	5	2029
GV-441_FH-137	PIPE	ACP	Treated	6	14	1974	50	55	5	2029
GV-442_BO-153	PIPE	ACP	Treated	4	122	1974	50	55	5	2029
GV-443_FH-138	PIPE	ACP	Treated	6	14	1974	50	55	5	2029
GV-444_BO-154	PIPE	ACP	Treated	4	103	1974	50	55	5	2029
GV-445_BO-155	PIPE	ACP	Treated	4	152	1974	50	55	5	2029
GV-446_JCT-455	PIPE	ACP	Treated	6	8	1974	50	55	5	2029
GV-447_BO-157	PIPE	ACP	Treated	4	106	1974	50	55	5	2029
GV-448_BO-156	PIPE	ACP	Treated	4	139	1974	50	55	5	2029
GV-449_BO-158	PIPE	ACP	Treated	4	111	1974	50	55	5	2029
GV-450_BO-159	PIPE	ACP	Treated	4	169	1974	50	55	5	2029
GV-451_FH-139	PIPE	ACP	Treated	6	31	1974	50	55	5	2029
GV-452_BO-160	PIPE	ACP	Treated	4	113	1974	50	55	5	2029
GV-453_BO-161	PIPE	ACP	Treated	4	101	1974	50	55	5	2029
GV-454_BO-162	PIPE	ACP	Treated	4	111	1974	50	55	5	2029
GV-512_JCT-352	PIPE	ACP	Treated	6	120	1974	50	55	5	2029
JCT-284_JCT-287	PIPE	ACP	Treated	8	45	1974	50	55	5	2029
JCT-296_JCT-284	PIPE	ACP	Treated	8	520	1974	50	55	5	2029
JCT-297_JCT-296	PIPE	ACP	Treated	8	64	1974	50	55	5	2029
JCT-319_JCT-321	PIPE	ACP	Treated	8	284	1974	50	55	5	2029
JCT-320_JCT-319	PIPE	ACP	Treated	8	109	1974	50	55	5	2029
JCT-321_ARV-94	PIPE	ACP	Treated	4	9	1974	50	55	5	2029
JCT-324_GV-301	PIPE	ACP	Treated	8	687	1974	50	55	5	2029
JCT-325_GV-305	PIPE	ACP	Treated	8	24	1974	50	55	5	2029
JCT-325_GV-306	PIPE	ACP	Treated	6	3	1974	50	55	5	2029
JCT-326_ARV-96	PIPE	ACP	Treated	4	9	1974	50	55	5	2029
JCT-326_JCT-325	PIPE	ACP	Treated	8	182	1974	50	55	5	2029
JCT-327_JCT-947	PIPE	ACP	Treated	8	24	1974	50	55	5	2029
JCT-328_GV-308	PIPE	ACP	Treated	8	478	1974	50	55	5	2029
JCT-347_GV-328	PIPE	ACP	Treated	8	4	1974	50	55	5	2029
JCT-348_JCT-347	PIPE	ACP	Treated	12	57	1974	50	55	5	2029
JCT-350_JCT-348	PIPE	ACP	Treated	12	135	1974	50	55	5	2029
JCT-351_GV-512	PIPE	ACP	Treated	6	3	1974	50	55	5	2029
JCT-351_JCT-350	PIPE	ACP	Treated	12	187	1974	50	55	5	2029
JCT-352_JCT-870	PIPE	ACP	Treated	6	45	1974	50	55	5	2029
JCT-353_JCT-354	PIPE	ACP	Treated	12	21	1974	50	55	5	2029
JCT-354_JCT-355	PIPE	ACP	Treated	12	748	1974	50	55	5	2029
JCT-355_JCT-356	PIPE	ACP	Treated	12	86	1974	50	55	5	2029
JCT-356_GV-335	PIPE	ACP	Treated	12	12	1974	50	55	5	2029
JCT-357_FH-100	PIPE	ACP	Treated	6	2	1974	50	55	5	2029
JCT-358_GV-336	PIPE	ACP	Treated	4	7	1974	50	55	5	2029
JCT-358_JCT-357	PIPE	ACP	Treated	12	23	1974	50	55	5	2029
JCT-359_JCT-357	PIPE	ACP	Treated	12	409	1974	50	55	5	2029
JCT-360_GV-338	PIPE	ACP	Treated	8	3	1974	50	55	5	2029
JCT-360_JCT-471	PIPE	ACP	Treated	12	211	1974	50	55	5	2029
JCT-361_GV-342	PIPE	ACP	Treated	6	2	1974	50	55	5	2029
JCT-361_GV-343	PIPE	ACP	Treated	6	674	1974	50	55	5	2029
JCT-362_JCT-363	PIPE	ACP	Treated	8	209	1974	50	55	5	2029
JCT-364_GV-345	PIPE	ACP	Treated	6	3	1974	50	55	5	2029
JCT-364_JCT-363	PIPE	ACP	Treated	8	55	1974	50	55	5	2029
JCT-390_GV-362	PIPE	ACP	Treated	8	4	1974	50	55	5	2029

RMCSO PIPE INVENTORY (DRAFT)

ID	Item	Material	System	Size (in)	Length (ft)	Install Year	AGE	Est Life	Estimated Remaining Life	Replacement Year
JCT-390_JCT-391	PIPE	ACP	Treated	8	5	1974	50	55	5	2029
JCT-392_GV-365	PIPE	ACP	Treated	6	4	1974	50	55	5	2029
JCT-392_JCT-391	PIPE	ACP	Treated	8	369	1974	50	55	5	2029
JCT-393_GV-275	PIPE	ACP	Treated	8	261	1974	50	55	5	2029
JCT-393_GV-366	PIPE	ACP	Treated	8	4	1974	50	55	5	2029
JCT-394_GV-367	PIPE	ACP	Treated	8	73	1974	50	55	5	2029
JCT-394_GV-368	PIPE	ACP	Treated	6	3	1974	50	55	5	2029
JCT-395_GV-369	PIPE	ACP	Treated	8	4	1974	50	55	5	2029
JCT-395_JCT-394	PIPE	ACP	Treated	8	194	1974	50	55	5	2029
JCT-396_GV-371	PIPE	ACP	Treated	6	3	1974	50	55	5	2029
JCT-396_JCT-398	PIPE	ACP	Treated	8	258	1974	50	55	5	2029
JCT-397_ARV-112	PIPE	ACP	Treated	4	9	1974	50	55	5	2029
JCT-398_GV-372	PIPE	ACP	Treated	6	7	1974	50	55	5	2029
JCT-398_JCT-399	PIPE	ACP	Treated	8	240	1974	50	55	5	2029
JCT-399_GV-373	PIPE	ACP	Treated	8	4	1974	50	55	5	2029
JCT-399_GV-374	PIPE	ACP	Treated	8	4	1974	50	55	5	2029
JCT-400_JCT-401	PIPE	ACP	Treated	8	127	1974	50	55	5	2029
JCT-401_GV-376	PIPE	ACP	Treated	4	6	1974	50	55	5	2029
JCT-401_JCT-402	PIPE	ACP	Treated	8	374	1974	50	55	5	2029
JCT-402_GV-377	PIPE	ACP	Treated	6	3	1974	50	55	5	2029
JCT-402_GV-378	PIPE	ACP	Treated	8	239	1974	50	55	5	2029
JCT-403_GV-379	PIPE	ACP	Treated	6	3	1974	50	55	5	2029
JCT-403_JCT-405	PIPE	ACP	Treated	8	475	1974	50	55	5	2029
JCT-404_GV-380	PIPE	ACP	Treated	4	4	1974	50	55	5	2029
JCT-405_GV-381	PIPE	ACP	Treated	6	3	1974	50	55	5	2029
JCT-405_JCT-404	PIPE	ACP	Treated	8	13	1974	50	55	5	2029
JCT-406_GV-1116	PIPE	ACP	Treated	8	3	1974	50	55	5	2029
JCT-406_GV-382	PIPE	ACP	Treated	8	4	1974	50	55	5	2029
JCT-406_GV-383	PIPE	ACP	Treated	6	4	1974	50	55	5	2029
JCT-406_GV-384	PIPE	ACP	Treated	6	4	1974	50	55	5	2029
JCT-407_GV-385	PIPE	ACP	Treated	6	2	1974	50	55	5	2029
JCT-407_GV-386	PIPE	ACP	Treated	8	340	1974	50	55	5	2029
JCT-408_GV-387	PIPE	ACP	Treated	8	35	1974	50	55	5	2029
JCT-408_JCT-409	PIPE	ACP	Treated	8	132	1974	50	55	5	2029
JCT-409_JCT-410	PIPE	ACP	Treated	8	10	1974	50	55	5	2029
JCT-411_GV-1116	PIPE	ACP	Treated	8	137	1974	50	55	5	2029
JCT-411_JCT-410	PIPE	ACP	Treated	8	163	1974	50	55	5	2029
JCT-412_GV-1126	PIPE	ACP	Treated	6	131	1974	50	55	5	2029
JCT-412_GV-391	PIPE	ACP	Treated	6	3	1974	50	55	5	2029
JCT-413_ARV-113	PIPE	ACP	Treated	4	9	1974	50	55	5	2029
JCT-413_GV-392	PIPE	ACP	Treated	6	27	1974	50	55	5	2029
JCT-414_GV-393	PIPE	ACP	Treated	6	3	1974	50	55	5	2029
JCT-415_GV-394	PIPE	ACP	Treated	6	4	1974	50	55	5	2029
JCT-415_GV-395	PIPE	ACP	Treated	8	4	1974	50	55	5	2029
JCT-416_GV-398	PIPE	ACP	Treated	4	5	1974	50	55	5	2029
JCT-416_GV-399	PIPE	ACP	Treated	4	4	1974	50	55	5	2029
JCT-416_JCT-417	PIPE	ACP	Treated	6	14	1974	50	55	5	2029
JCT-417_GV-397	PIPE	ACP	Treated	6	3	1974	50	55	5	2029
JCT-417_JCT-415	PIPE	ACP	Treated	6	205	1974	50	55	5	2029
JCT-418_GV-400	PIPE	ACP	Treated	4	4	1974	50	55	5	2029
JCT-418_GV-401	PIPE	ACP	Treated	4	4	1974	50	55	5	2029
JCT-418_JCT-416	PIPE	ACP	Treated	6	209	1974	50	55	5	2029
JCT-420_GV-404	PIPE	ACP	Treated	6	5	1974	50	55	5	2029
JCT-420_GV-405	PIPE	ACP	Treated	6	3	1974	50	55	5	2029
JCT-421_GV-402	PIPE	ACP	Treated	4	4	1974	50	55	5	2029
JCT-421_GV-403	PIPE	ACP	Treated	4	4	1974	50	55	5	2029
JCT-421_JCT-420	PIPE	ACP	Treated	6	19	1974	50	55	5	2029
JCT-422_GV-406	PIPE	ACP	Treated	4	4	1974	50	55	5	2029
JCT-422_JCT-421	PIPE	ACP	Treated	6	212	1974	50	55	5	2029
JCT-423_GV-396	PIPE	ACP	Treated	8	475	1974	50	55	5	2029
JCT-423_GV-407	PIPE	ACP	Treated	8	34	1974	50	55	5	2029
JCT-424_GV-1118	PIPE	ACP	Treated	8	20	1974	50	55	5	2029
JCT-424_GV-408	PIPE	ACP	Treated	6	4	1974	50	55	5	2029
JCT-425_JCT-424	PIPE	ACP	Treated	8	20	1974	50	55	5	2029
JCT-426_GV-410	PIPE	ACP	Treated	4	6	1974	50	55	5	2029
JCT-426_JCT-428	PIPE	ACP	Treated	6	273	1974	50	55	5	2029

RMCS D PIPE INVENTORY (DRAFT)

ID	Item	Material	System	Size (in)	Length (ft)	Install Year	AGE	Est Life	Estimated Remaining Life	Replacement Year
JCT-427_GV-412	PIPE	ACP	Treated	4	6	1974	50	55	5	2029
JCT-427_GV-413	PIPE	ACP	Treated	6	12	1974	50	55	5	2029
JCT-428_GV-411	PIPE	ACP	Treated	6	3	1974	50	55	5	2029
JCT-428_JCT-427	PIPE	ACP	Treated	6	17	1974	50	55	5	2029
JCT-429_GV-413	PIPE	ACP	Treated	6	170	1974	50	55	5	2029
JCT-430_GV-414	PIPE	ACP	Treated	6	3	1974	50	55	5	2029
JCT-430_JCT-439	PIPE	ACP	Treated	8	92	1974	50	55	5	2029
JCT-431_GV-415	PIPE	ACP	Treated	6	3	1974	50	55	5	2029
JCT-431_GV-416	PIPE	ACP	Treated	8	4	1974	50	55	5	2029
JCT-431_GV-417	PIPE	ACP	Treated	6	3	1974	50	55	5	2029
JCT-431_JCT-946	PIPE	ACP	Treated	8	182	1974	50	55	5	2029
JCT-432_ARV-116	PIPE	ACP	Treated	4	9	1974	50	55	5	2029
JCT-432_GV-419	PIPE	ACP	Treated	8	105	1974	50	55	5	2029
JCT-433_GV-1130	PIPE	ACP	Treated	6	3	1974	50	55	5	2029
JCT-435_GV-1133	PIPE	ACP	Treated	6	132	1974	50	55	5	2029
JCT-436_GV-1135	PIPE	ACP	Treated	6	6	1974	50	55	5	2029
JCT-436_JCT-437	PIPE	ACP	Treated	6	21	1974	50	55	5	2029
JCT-437_GV-1136	PIPE	ACP	Treated	6	86	1974	50	55	5	2029
JCT-438_JCT-441	PIPE	ACP	Treated	8	204	1974	50	55	5	2029
JCT-439_GV-425	PIPE	ACP	Treated	8	168	1974	50	55	5	2029
JCT-439_GV-426	PIPE	ACP	Treated	4	3	1974	50	55	5	2029
JCT-440_GV-430	PIPE	ACP	Treated	6	3	1974	50	55	5	2029
JCT-442_GV-1119	PIPE	ACP	Treated	8	36	1974	50	55	5	2029
JCT-442_GV-431	PIPE	ACP	Treated	4	7	1974	50	55	5	2029
JCT-443_GV-432	PIPE	ACP	Treated	6	4	1974	50	55	5	2029
JCT-443_JCT-442	PIPE	ACP	Treated	8	409	1974	50	55	5	2029
JCT-444_GV-433	PIPE	ACP	Treated	8	25	1974	50	55	5	2029
JCT-444_GV-434	PIPE	ACP	Treated	6	3	1974	50	55	5	2029
JCT-445_GV-435	PIPE	ACP	Treated	6	4	1974	50	55	5	2029
JCT-445_JCT-446	PIPE	ACP	Treated	8	82	1974	50	55	5	2029
JCT-446_ARV-117	PIPE	ACP	Treated	4	9	1974	50	55	5	2029
JCT-446_GV-1120	PIPE	ACP	Treated	8	156	1974	50	55	5	2029
JCT-447_GV-436	PIPE	ACP	Treated	8	3	1974	50	55	5	2029
JCT-447_GV-437	PIPE	ACP	Treated	6	4	1974	50	55	5	2029
JCT-448_GV-1141	PIPE	ACP	Treated	4	246	1974	50	55	5	2029
JCT-448_GV-438	PIPE	ACP	Treated	6	2	1974	50	55	5	2029
JCT-449_GV-441	PIPE	ACP	Treated	6	3	1974	50	55	5	2029
JCT-449_JCT-450	PIPE	ACP	Treated	8	49	1974	50	55	5	2029
JCT-450_GV-439	PIPE	ACP	Treated	8	4	1974	50	55	5	2029
JCT-450_GV-440	PIPE	ACP	Treated	6	3	1974	50	55	5	2029
JCT-451_GV-442	PIPE	ACP	Treated	4	5	1974	50	55	5	2029
JCT-452_GV-443	PIPE	ACP	Treated	6	3	1974	50	55	5	2029
JCT-452_JCT-451	PIPE	ACP	Treated	6	195	1974	50	55	5	2029
JCT-453_GV-444	PIPE	ACP	Treated	4	5	1974	50	55	5	2029
JCT-453_GV-445	PIPE	ACP	Treated	4	5	1974	50	55	5	2029
JCT-453_JCT-452	PIPE	ACP	Treated	6	21	1974	50	55	5	2029
JCT-454_GV-447	PIPE	ACP	Treated	4	7	1974	50	55	5	2029
JCT-454_JCT-453	PIPE	ACP	Treated	6	209	1974	50	55	5	2029
JCT-455_GV-448	PIPE	ACP	Treated	4	6	1974	50	55	5	2029
JCT-455_JCT-454	PIPE	ACP	Treated	6	6	1974	50	55	5	2029
JCT-456_ARV-118	PIPE	ACP	Treated	4	9	1974	50	55	5	2029
JCT-456_GV-446	PIPE	ACP	Treated	6	60	1974	50	55	5	2029
JCT-457_GV-449	PIPE	ACP	Treated	4	6	1974	50	55	5	2029
JCT-457_JCT-456	PIPE	ACP	Treated	6	125	1974	50	55	5	2029
JCT-458_GV-451	PIPE	ACP	Treated	6	4	1974	50	55	5	2029
JCT-458_JCT-457	PIPE	ACP	Treated	6	129	1974	50	55	5	2029
JCT-459_GV-450	PIPE	ACP	Treated	4	7	1974	50	55	5	2029
JCT-459_JCT-458	PIPE	ACP	Treated	6	8	1974	50	55	5	2029
JCT-460_GV-452	PIPE	ACP	Treated	4	6	1974	50	55	5	2029
JCT-460_JCT-459	PIPE	ACP	Treated	6	79	1974	50	55	5	2029
JCT-461_GV-453	PIPE	ACP	Treated	4	6	1974	50	55	5	2029
JCT-461_GV-454	PIPE	ACP	Treated	4	6	1974	50	55	5	2029
JCT-461_JCT-460	PIPE	ACP	Treated	6	182	1974	50	55	5	2029
JCT-890_GV-337	PIPE	ACP	Treated	12	293	1974	50	55	5	2029
JCT-945_JCT-351	PIPE	ACP	Treated	12	344	1974	50	55	5	2029
JCT-946_GV-1117	PIPE	ACP	Treated	4	3	1974	50	55	5	2029

RMCS D PIPE INVENTORY (DRAFT)

ID	Item	Material	System	Size (in)	Length (ft)	Install Year	AGE	Est Life	Estimated Remaining Life	Replacement Year
JCT-946_JCT-432	PIPE	ACP	Treated	8	16	1974	50	55	5	2029
JCT-947_JCT-326	PIPE	ACP	Treated	8	321	1974	50	55	5	2029
CO-224_MH-362	PIPE	AC	Gravity	6	106	1974	50	55	5	2029
CO-231_MH-431	PIPE	AC	Gravity	6	120	1974	50	55	5	2029
CO-232_MH-761	PIPE	AC	Gravity	6	118	1974	50	55	5	2029
CO-65_MH-277	PIPE	AC	Gravity	6	78	1974	50	55	5	2029
CO-70_MH-322	PIPE	AC	Gravity	6	111	1974	50	55	5	2029
CO-71_MH-320	PIPE	AC	Gravity	6	124	1974	50	55	5	2029
CO-72_MH-331	PIPE	AC	Gravity	6	116	1974	50	55	5	2029
CO-73_MH-331	PIPE	AC	Gravity	6	120	1974	50	55	5	2029
CO-74_MH-333	PIPE	AC	Gravity	6	116	1974	50	55	5	2029
CO-75_MH-334	PIPE	AC	Gravity	6	94	1974	50	55	5	2029
CO-76_MH-337	PIPE	AC	Gravity	6	96	1974	50	55	5	2029
CO-77_MH-364	PIPE	AC	Gravity	6	90	1974	50	55	5	2029
CO-83_MH-398	PIPE	AC	Gravity	6	90	1974	50	55	5	2029
MH-275_MH-276	PIPE	AC	Gravity	8	397	1974	50	55	5	2029
MH-276_MH-341	PIPE	AC	Gravity	8	393	1974	50	55	5	2029
MH-277_MH-760	PIPE	AC	Gravity	6	137	1974	50	55	5	2029
MH-287_MH-288	PIPE	AC	Gravity	6	391	1974	50	55	5	2029
MH-288_MH-289	PIPE	AC	Gravity	6	338	1974	50	55	5	2029
MH-289_MH-321	PIPE	AC	Gravity	10	132	1974	50	55	5	2029
MH-290_MH-289	PIPE	AC	Gravity	10	200	1974	50	55	5	2029
MH-320_MH-325	PIPE	AC	Gravity	10	114	1974	50	55	5	2029
MH-321_MH-320	PIPE	AC	Gravity	10	207	1974	50	55	5	2029
MH-322_MH-321	PIPE	AC	Gravity	6	279	1974	50	55	5	2029
MH-323_MH-322	PIPE	AC	Gravity	6	227	1974	50	55	5	2029
MH-324_MH-323	PIPE	AC	Gravity	6	223	1974	50	55	5	2029
MH-329_MH-328	PIPE	AC	Gravity	6	89	1974	50	55	5	2029
MH-330_MH-329	PIPE	AC	Gravity	6	159	1974	50	55	5	2029
MH-333_MH-334	PIPE	AC	Gravity	6	197	1974	50	55	5	2029
MH-334_MH-337	PIPE	AC	Gravity	6	208	1974	50	55	5	2029
MH-335_MH-334	PIPE	AC	Gravity	6	161	1974	50	55	5	2029
MH-336_MH-337	PIPE	AC	Gravity	6	168	1974	50	55	5	2029
MH-337_MH-761	PIPE	AC	Gravity	6	230	1974	50	55	5	2029
MH-341_MH-332	PIPE	AC	Gravity	10	328	1974	50	55	5	2029
MH-353_MH-345	PIPE	AC	Gravity	6	326	1974	50	55	5	2029
MH-354_MH-353	PIPE	AC	Gravity	6	115	1974	50	55	5	2029
MH-355_MH-354	PIPE	AC	Gravity	6	230	1974	50	55	5	2029
MH-357_MH-339	PIPE	AC	Gravity	6	216	1974	50	55	5	2029
MH-358_MH-762	PIPE	AC	Gravity	6	150	1974	50	55	5	2029
MH-359_MH-341	PIPE	AC	Gravity	6	139	1974	50	55	5	2029
MH-360_MH-361	PIPE	AC	Gravity	6	388	1974	50	55	5	2029
MH-361_MH-362	PIPE	AC	Gravity	6	303	1974	50	55	5	2029
MH-362_MH-276	PIPE	AC	Gravity	6	97	1974	50	55	5	2029
MH-363_MH-362	PIPE	AC	Gravity	6	169	1974	50	55	5	2029
MH-364_MH-363	PIPE	AC	Gravity	6	184	1974	50	55	5	2029
MH-365_MH-363	PIPE	AC	Gravity	6	95	1974	50	55	5	2029
MH-366_MH-365	PIPE	AC	Gravity	6	179	1974	50	55	5	2029
MH-367_MH-369	PIPE	AC	Gravity	6	334	1974	50	55	5	2029
MH-368_MH-370	PIPE	AC	Gravity	6	383	1974	50	55	5	2029
MH-369_MH-370	PIPE	AC	Gravity	6	295	1974	50	55	5	2029
MH-370_MH-371	PIPE	AC	Gravity	6	246	1974	50	55	5	2029
MH-371_MH-372	PIPE	AC	Gravity	6	192	1974	50	55	5	2029
MH-372_MH-373	PIPE	AC	Gravity	6	227	1974	50	55	5	2029
MH-373_MH-341	PIPE	AC	Gravity	6	139	1974	50	55	5	2029
MH-374_MH-375	PIPE	AC	Gravity	6	204	1974	50	55	5	2029
MH-376_MH-375	PIPE	AC	Gravity	6	221	1974	50	55	5	2029
MH-392_MH-397	PIPE	AC	Gravity	6	233	1974	50	55	5	2029
MH-396_MH-397	PIPE	AC	Gravity	8	211	1974	50	55	5	2029
MH-397_MH-398	PIPE	AC	Gravity	8	266	1974	50	55	5	2029
MH-398_MH-399	PIPE	AC	Gravity	8	264	1974	50	55	5	2029
MH-399_MH-400	PIPE	AC	Gravity	8	315	1974	50	55	5	2029
MH-400_MH-412	PIPE	AC	Gravity	8	423	1974	50	55	5	2029
MH-401_MH-402	PIPE	AC	Gravity	6	324	1974	50	55	5	2029
MH-402_MH-392	PIPE	AC	Gravity	6	316	1974	50	55	5	2029
MH-403_MH-404	PIPE	AC	Gravity	6	389	1974	50	55	5	2029

RMCS D PIPE INVENTORY (DRAFT)

ID	Item	Material	System	Size (in)	Length (ft)	Install Year	AGE	Est Life	Estimated Remaining Life	Replacement Year
MH-404_MH-405	PIPE	AC	Gravity	6	269	1974	50	55	5	2029
MH-405_MH-408	PIPE	AC	Gravity	6	309	1974	50	55	5	2029
MH-406_MH-405	PIPE	AC	Gravity	6	148	1974	50	55	5	2029
MH-407_MH-406	PIPE	AC	Gravity	6	146	1974	50	55	5	2029
MH-408_MH-409	PIPE	AC	Gravity	6	175	1974	50	55	5	2029
MH-409_MH-410	PIPE	AC	Gravity	6	295	1974	50	55	5	2029
MH-410_MH-411	PIPE	AC	Gravity	6	129	1974	50	55	5	2029
MH-411_MH-420	PIPE	AC	Gravity	8	373	1974	50	55	5	2029
MH-412_MH-411	PIPE	AC	Gravity	8	172	1974	50	55	5	2029
MH-413_MH-412	PIPE	AC	Gravity	6	250	1974	50	55	5	2029
MH-414_MH-413	PIPE	AC	Gravity	6	179	1974	50	55	5	2029
MH-415_MH-414	PIPE	AC	Gravity	6	316	1974	50	55	5	2029
MH-416_MH-417	PIPE	AC	Gravity	6	307	1974	50	55	5	2029
MH-417_MH-418	PIPE	AC	Gravity	6	178	1974	50	55	5	2029
MH-418_MH-420	PIPE	AC	Gravity	6	253	1974	50	55	5	2029
MH-419_MH-418	PIPE	AC	Gravity	6	317	1974	50	55	5	2029
MH-420_MH-421	PIPE	AC	Gravity	8	250	1974	50	55	5	2029
MH-421_MH-422	PIPE	AC	Gravity	8	258	1974	50	55	5	2029
MH-422_MH-433	PIPE	AC	Gravity	8	397	1974	50	55	5	2029
MH-423_MH-424	PIPE	AC	Gravity	6	340	1974	50	55	5	2029
MH-424_MH-425	PIPE	AC	Gravity	6	402	1974	50	55	5	2029
MH-425_MH-426	PIPE	AC	Gravity	6	314	1974	50	55	5	2029
MH-428_MH-429	PIPE	AC	Gravity	6	197	1974	50	55	5	2029
MH-430_MH-431	PIPE	AC	Gravity	6	197	1974	50	55	5	2029
MH-433_MH-434	PIPE	AC	Gravity	8	298	1974	50	55	5	2029
MH-434_MH-435	PIPE	AC	Gravity	8	146	1974	50	55	5	2029
MH-436_MH-435	PIPE	AC	Gravity	6	171	1974	50	55	5	2029
MH-437_MH-436	PIPE	AC	Gravity	6	208	1974	50	55	5	2029
MH-438_MH-439	PIPE	AC	Gravity	6	326	1974	50	55	5	2029
MH-440_MH-441	PIPE	AC	Gravity	6	157	1974	50	55	5	2029
MH-444_MH-422	PIPE	AC	Gravity	6	405	1974	50	55	5	2029
MH-760_MH-275	PIPE	AC	Gravity	6	314	1974	50	55	5	2029
MH-761_MH-338	PIPE	AC	Gravity	6	218	1974	50	55	5	2029
MH-762_MH-357	PIPE	AC	Gravity	6	179	1974	50	55	5	2029
MH-766_MH-396	PIPE	AC	Gravity	8	350	1974	50	55	5	2029
MH-767_MH-766	PIPE	AC	Gravity	8	256	1974	50	55	5	2029
CAP-30_JCT-801	PIPE	ACP	Treated	2	44	1977	47	55	8	2032
FH-267_GV-920	PIPE	ACP	Treated	6	2	1977	47	55	8	2032
GV-330_JCT-350	PIPE	ACP	Treated	6	2	1977	47	55	8	2032
GV-331_FH-98	PIPE	ACP	Treated	6	5	1977	47	55	8	2032
GV-911_GV-918	PIPE	ACP	Treated	4	511	1977	47	55	8	2032
GV-911_JCT-804	PIPE	ACP	Treated	6	26	1977	47	55	8	2032
GV-914_JCT-802	PIPE	ACP	Treated	4	3	1977	47	55	8	2032
GV-915_JCT-802	PIPE	ACP	Treated	4	94	1977	47	55	8	2032
GV-915_JCT-803	PIPE	ACP	Treated	4	6	1977	47	55	8	2032
GV-916_JCT-804	PIPE	ACP	Treated	4	53	1977	47	55	8	2032
GV-917_GV-916	PIPE	ACP	Treated	4	694	1977	47	55	8	2032
GV-918_JCT-805	PIPE	ACP	Treated	4	3	1977	47	55	8	2032
GV-919_JCT-806	PIPE	ACP	Treated	6	4	1977	47	55	8	2032
GV-920_JCT-807	PIPE	ACP	Treated	6	2	1977	47	55	8	2032
JCT-349_GV-330	PIPE	ACP	Treated	6	5	1977	47	55	8	2032
JCT-349_GV-331	PIPE	ACP	Treated	6	6	1977	47	55	8	2032
JCT-801_GV-912	PIPE	ACP	Treated	2	2	1977	47	55	8	2032
JCT-802_GV-913	PIPE	ACP	Treated	4	3	1977	47	55	8	2032
JCT-802_JCT-801	PIPE	ACP	Treated	2	42	1977	47	55	8	2032
JCT-803_JCT-349	PIPE	ACP	Treated	6	3	1977	47	55	8	2032
JCT-804_JCT-803	PIPE	ACP	Treated	6	19	1977	47	55	8	2032
JCT-805_GV-917	PIPE	ACP	Treated	4	3	1977	47	55	8	2032
JCT-805_JCT-807	PIPE	ACP	Treated	6	28	1977	47	55	8	2032
JCT-807_GV-919	PIPE	ACP	Treated	6	4	1977	47	55	8	2032
ARV-102_JCT-346	PIPE	ACP	Treated	4	9	1978	46	55	9	2033
ARV-106_JCT-375	PIPE	ACP	Treated	4	9	1978	46	55	9	2033
ARV-107_JCT-376	PIPE	ACP	Treated	4	9	1978	46	55	9	2033
ARV-110_JCT-383	PIPE	ACP	Treated	4	9	1978	46	55	9	2033
ARV-75_JCT-253	PIPE	ACP	Treated	4	9	1978	46	55	9	2033
ARV-76_JCT-256	PIPE	ACP	Treated	4	9	1978	46	55	9	2033

RMCS D PIPE INVENTORY (DRAFT)

ID	Item	Material	System	Size (in)	Length (ft)	Install Year	AGE	Est Life	Estimated Remaining Life	Replacement Year
ARV-77_JCT-260	PIPE	ACP	Treated	4	9	1978	46	55	9	2033
ARV-80_JCT-270	PIPE	ACP	Treated	4	9	1978	46	55	9	2033
ARV-81_JCT-273	PIPE	ACP	Treated	4	9	1978	46	55	9	2033
ARV-82_JCT-285	PIPE	ACP	Treated	4	9	1978	46	55	9	2033
ARV-83_JCT-289	PIPE	ACP	Treated	4	9	1978	46	55	9	2033
ARV-84_JCT-292	PIPE	ACP	Treated	4	9	1978	46	55	9	2033
ARV-86_JCT-282	PIPE	ACP	Treated	4	9	1978	46	55	9	2033
ARV-87_JCT-280	PIPE	ACP	Treated	4	9	1978	46	55	9	2033
ARV-88_JCT-298	PIPE	ACP	Treated	4	9	1978	46	55	9	2033
ARV-89_JCT-306	PIPE	ACP	Treated	4	9	1978	46	55	9	2033
ARV-91_JCT-311	PIPE	ACP	Treated	4	9	1978	46	55	9	2033
ARV-92_JCT-314	PIPE	ACP	Treated	4	9	1978	46	55	9	2033
ARV-93_JCT-313	PIPE	ACP	Treated	4	9	1978	46	55	9	2033
ARV-97_JCT-329	PIPE	ACP	Treated	4	9	1978	46	55	9	2033
ARV-99_JCT-337	PIPE	ACP	Treated	4	3	1978	46	55	9	2033
BO-100_JCT-260	PIPE	ACP	Treated	10	373	1978	46	55	9	2033
BO-103_JCT-273	PIPE	ACP	Treated	4	119	1978	46	55	9	2033
BO-104_JCT-272	PIPE	ACP	Treated	10	16	1978	46	55	9	2033
BO-105_GV-269	PIPE	ACP	Treated	4	195	1978	46	55	9	2033
BO-106_GV-268	PIPE	ACP	Treated	10	242	1978	46	55	9	2033
BO-106_JCT-280	PIPE	ACP	Treated	10	145	1978	46	55	9	2033
BO-109_JCT-291	PIPE	ACP	Treated	8	95	1978	46	55	9	2033
BO-110_JCT-294	PIPE	ACP	Treated	8	280	1978	46	55	9	2033
BO-111_JCT-295	PIPE	ACP	Treated	4	3	1978	46	55	9	2033
BO-112_JCT-299	PIPE	ACP	Treated	10	82	1978	46	55	9	2033
BO-113_GV-291	PIPE	ACP	Treated	6	30	1978	46	55	9	2033
BO-113_JCT-308	PIPE	ACP	Treated	6	208	1978	46	55	9	2033
BO-114_JCT-306	PIPE	ACP	Treated	4	3	1978	46	55	9	2033
BO-115_JCT-305	PIPE	ACP	Treated	4	110	1978	46	55	9	2033
BO-120_JCT-338	PIPE	ACP	Treated	6	10	1978	46	55	9	2033
BO-122_JCT-341	PIPE	ACP	Treated	6	23	1978	46	55	9	2033
BO-124_JCT-368	PIPE	ACP	Treated	6	115	1978	46	55	9	2033
BO-126_JCT-372	PIPE	ACP	Treated	6	392	1978	46	55	9	2033
BO-128_JCT-375	PIPE	ACP	Treated	6	167	1978	46	55	9	2033
BO-251_JCT-379	PIPE	ACP	Treated	6	244	1978	46	55	9	2033
BO-98_JCT-257	PIPE	ACP	Treated	12	37	1978	46	55	9	2033
BO-99_GV-251	PIPE	ACP	Treated	4	94	1978	46	55	9	2033
FH-70_GV-250	PIPE	ACP	Treated	6	7	1978	46	55	9	2033
FH-71_GV-255	PIPE	ACP	Treated	6	7	1978	46	55	9	2033
FH-73_GV-261	PIPE	ACP	Treated	6	7	1978	46	55	9	2033
FH-74_GV-263	PIPE	ACP	Treated	6	17	1978	46	55	9	2033
FH-75_GV-264	PIPE	ACP	Treated	6	12	1978	46	55	9	2033
FH-78_GV-271	PIPE	ACP	Treated	6	7	1978	46	55	9	2033
FH-80_GV-276	PIPE	ACP	Treated	6	14	1978	46	55	9	2033
FH-81_GV-278	PIPE	ACP	Treated	6	7	1978	46	55	9	2033
FH-82_GV-279	PIPE	ACP	Treated	6	19	1978	46	55	9	2033
FH-84_GV-290	PIPE	ACP	Treated	6	14	1978	46	55	9	2033
FH-85_GV-292	PIPE	ACP	Treated	6	20	1978	46	55	9	2033
FH-86_GV-294	PIPE	ACP	Treated	6	7	1978	46	55	9	2033
FH-87_GV-298	PIPE	ACP	Treated	6	20	1978	46	55	9	2033
FH-88_GV-299	PIPE	ACP	Treated	6	7	1978	46	55	9	2033
FH-91_GV-312	PIPE	ACP	Treated	6	7	1978	46	55	9	2033
FH-94_GV-322	PIPE	ACP	Treated	6	7	1978	46	55	9	2033
GV-1076_GV-327	PIPE	ACP	Treated	12	337	1978	46	55	9	2033
GV-1076_JCT-929	PIPE	ACP	Treated	12	3	1978	46	55	9	2033
GV-1078_JCT-929	PIPE	ACP	Treated	12	3	1978	46	55	9	2033
GV-190_JCT-205	PIPE	ACP	Treated	12	5	1978	46	55	9	2033
GV-190_JCT-254	PIPE	ACP	Treated	12	225	1978	46	55	9	2033
GV-248_JCT-253	PIPE	ACP	Treated	4	183	1978	46	55	9	2033
GV-249_FH-69	PIPE	ACP	Treated	6	7	1978	46	55	9	2033
GV-250_JCT-258	PIPE	ACP	Treated	6	3	1978	46	55	9	2033
GV-251_JCT-259	PIPE	ACP	Treated	4	3	1978	46	55	9	2033
GV-252_JCT-259	PIPE	ACP	Treated	12	109	1978	46	55	9	2033
GV-254_JCT-260	PIPE	ACP	Treated	10	3	1978	46	55	9	2033
GV-255_JCT-261	PIPE	ACP	Treated	6	3	1978	46	55	9	2033
GV-256_FH-72	PIPE	ACP	Treated	6	40	1978	46	55	9	2033

RMCS D PIPE INVENTORY (DRAFT)

ID	Item	Material	System	Size (in)	Length (ft)	Install Year	AGE	Est Life	Estimated Remaining Life	Replacement Year
GV-257_JCT-265	PIPE	ACP	Treated	10	3	1978	46	55	9	2033
GV-258_JCT-265	PIPE	ACP	Treated	6	3	1978	46	55	9	2033
GV-258_JCT-268	PIPE	ACP	Treated	6	333	1978	46	55	9	2033
GV-259_JCT-266	PIPE	ACP	Treated	10	3	1978	46	55	9	2033
GV-260_JCT-266	PIPE	ACP	Treated	8	3	1978	46	55	9	2033
GV-261_JCT-268	PIPE	ACP	Treated	6	2	1978	46	55	9	2033
GV-262_JCT-269	PIPE	ACP	Treated	6	418	1978	46	55	9	2033
GV-263_JCT-269	PIPE	ACP	Treated	6	3	1978	46	55	9	2033
GV-264_JCT-271	PIPE	ACP	Treated	6	3	1978	46	55	9	2033
GV-265_FH-76	PIPE	ACP	Treated	6	17	1978	46	55	9	2033
GV-266_JCT-275	PIPE	ACP	Treated	8	10	1978	46	55	9	2033
GV-267_BO-104	PIPE	ACP	Treated	10	362	1978	46	55	9	2033
GV-270_FH-77	PIPE	ACP	Treated	6	13	1978	46	55	9	2033
GV-271_JCT-286	PIPE	ACP	Treated	6	4	1978	46	55	9	2033
GV-273_JCT-286	PIPE	ACP	Treated	6	552	1978	46	55	9	2033
GV-273_JCT-287	PIPE	ACP	Treated	6	4	1978	46	55	9	2033
GV-274_JCT-288	PIPE	ACP	Treated	8	4	1978	46	55	9	2033
GV-274_JCT-289	PIPE	ACP	Treated	8	355	1978	46	55	9	2033
GV-276_JCT-291	PIPE	ACP	Treated	6	3	1978	46	55	9	2033
GV-277_JCT-290	PIPE	ACP	Treated	8	3	1978	46	55	9	2033
GV-278_JCT-293	PIPE	ACP	Treated	6	3	1978	46	55	9	2033
GV-279_JCT-294	PIPE	ACP	Treated	6	3	1978	46	55	9	2033
GV-280_JCT-282	PIPE	ACP	Treated	8	228	1978	46	55	9	2033
GV-280_JCT-283	PIPE	ACP	Treated	8	3	1978	46	55	9	2033
GV-281_JCT-283	PIPE	ACP	Treated	8	3	1978	46	55	9	2033
GV-282_JCT-283	PIPE	ACP	Treated	6	4	1978	46	55	9	2033
GV-282_JCT-311	PIPE	ACP	Treated	6	190	1978	46	55	9	2033
GV-283_JCT-281	PIPE	ACP	Treated	4	3	1978	46	55	9	2033
GV-285_JCT-300	PIPE	ACP	Treated	10	262	1978	46	55	9	2033
GV-287_JCT-279	PIPE	ACP	Treated	6	2	1978	46	55	9	2033
GV-288_JCT-298	PIPE	ACP	Treated	6	155	1978	46	55	9	2033
GV-289_JCT-300	PIPE	ACP	Treated	6	5	1978	46	55	9	2033
GV-290_JCT-301	PIPE	ACP	Treated	6	3	1978	46	55	9	2033
GV-291_JCT-302	PIPE	ACP	Treated	6	3	1978	46	55	9	2033
GV-292_JCT-303	PIPE	ACP	Treated	6	3	1978	46	55	9	2033
GV-293_JCT-304	PIPE	ACP	Treated	4	2	1978	46	55	9	2033
GV-294_JCT-309	PIPE	ACP	Treated	6	3	1978	46	55	9	2033
GV-295_JCT-310	PIPE	ACP	Treated	6	6	1978	46	55	9	2033
GV-296_JCT-313	PIPE	ACP	Treated	6	318	1978	46	55	9	2033
GV-297_JCT-312	PIPE	ACP	Treated	6	4	1978	46	55	9	2033
GV-298_JCT-315	PIPE	ACP	Treated	6	4	1978	46	55	9	2033
GV-299_JCT-317	PIPE	ACP	Treated	6	3	1978	46	55	9	2033
GV-303_JCT-322	PIPE	ACP	Treated	4	103	1978	46	55	9	2033
GV-304_JCT-323	PIPE	ACP	Treated	8	387	1978	46	55	9	2033
GV-307_JCT-389	PIPE	ACP	Treated	6	168	1978	46	55	9	2033
GV-309_GV-260	PIPE	ACP	Treated	8	511	1978	46	55	9	2033
GV-310_JCT-278	PIPE	ACP	Treated	8	3	1978	46	55	9	2033
GV-310_JCT-332	PIPE	ACP	Treated	8	298	1978	46	55	9	2033
GV-312_JCT-330	PIPE	ACP	Treated	6	3	1978	46	55	9	2033
GV-313_JCT-329	PIPE	ACP	Treated	6	321	1978	46	55	9	2033
GV-314_FH-92	PIPE	ACP	Treated	6	14	1978	46	55	9	2033
GV-315_JCT-334	PIPE	ACP	Treated	4	213	1978	46	55	9	2033
GV-316_GV-191	PIPE	ACP	Treated	12	304	1978	46	55	9	2033
GV-317_JCT-318	PIPE	ACP	Treated	6	4	1978	46	55	9	2033
GV-317_JCT-335	PIPE	ACP	Treated	6	388	1978	46	55	9	2033
GV-318_FH-93	PIPE	ACP	Treated	6	7	1978	46	55	9	2033
GV-319_JCT-336	PIPE	ACP	Treated	4	3	1978	46	55	9	2033
GV-320_BO-121	PIPE	ACP	Treated	4	106	1978	46	55	9	2033
GV-321_JCT-339	PIPE	ACP	Treated	6	3	1978	46	55	9	2033
GV-322_JCT-339	PIPE	ACP	Treated	6	3	1978	46	55	9	2033
GV-323_FH-95	PIPE	ACP	Treated	6	7	1978	46	55	9	2033
GV-324_FH-96	PIPE	ACP	Treated	6	7	1978	46	55	9	2033
GV-325_JCT-343	PIPE	ACP	Treated	6	114	1978	46	55	9	2033
GV-325_JCT-344	PIPE	ACP	Treated	6	4	1978	46	55	9	2033
GV-326_JCT-345	PIPE	ACP	Treated	12	303	1978	46	55	9	2033
GV-327_JCT-344	PIPE	ACP	Treated	12	4	1978	46	55	9	2033

RMCS D PIPE INVENTORY (DRAFT)

ID	Item	Material	System	Size (in)	Length (ft)	Install Year	AGE	Est Life	Estimated Remaining Life	Replacement Year
GV-329_JCT-346	PIPE	ACP	Treated	12	225	1978	46	55	9	2033
GV-344_JCT-365	PIPE	ACP	Treated	6	215	1978	46	55	9	2033
GV-346_BO-123	PIPE	ACP	Treated	4	106	1978	46	55	9	2033
GV-347_FH-104	PIPE	ACP	Treated	6	31	1978	46	55	9	2033
GV-348_BO-125	PIPE	ACP	Treated	4	131	1978	46	55	9	2033
GV-349_FH-105	PIPE	ACP	Treated	6	8	1978	46	55	9	2033
GV-350_JCT-372	PIPE	ACP	Treated	6	139	1978	46	55	9	2033
GV-351_JCT-374	PIPE	ACP	Treated	6	404	1978	46	55	9	2033
GV-352_FH-106	PIPE	ACP	Treated	6	4	1978	46	55	9	2033
GV-353_FH-107	PIPE	ACP	Treated	6	27	1978	46	55	9	2033
GV-354_JCT-380	PIPE	ACP	Treated	4	184	1978	46	55	9	2033
GV-355_JCT-378	PIPE	ACP	Treated	6	9	1978	46	55	9	2033
GV-356_BO-130	PIPE	ACP	Treated	4	245	1978	46	55	9	2033
GV-357_FH-108	PIPE	ACP	Treated	6	19	1978	46	55	9	2033
GV-358_FH-109	PIPE	ACP	Treated	6	19	1978	46	55	9	2033
GV-359_JCT-386	PIPE	ACP	Treated	4	114	1978	46	55	9	2033
GV-360_BO-134	PIPE	ACP	Treated	4	267	1978	46	55	9	2033
GV-849_JCT-256	PIPE	ACP	Treated	4	119	1978	46	55	9	2033
GV-850_JCT-272	PIPE	ACP	Treated	4	3	1978	46	55	9	2033
GV-851_BO-116	PIPE	ACP	Treated	4	120	1978	46	55	9	2033
GV-852_BO-132	PIPE	ACP	Treated	4	167	1978	46	55	9	2033
GV-853_JCT-383	PIPE	ACP	Treated	4	139	1978	46	55	9	2033
JCT-149_GV-252	PIPE	ACP	Treated	12	3	1978	46	55	9	2033
JCT-149_GV-254	PIPE	ACP	Treated	10	7	1978	46	55	9	2033
JCT-205_GV-191	PIPE	ACP	Treated	12	4	1978	46	55	9	2033
JCT-253_BO-96	PIPE	ACP	Treated	4	3	1978	46	55	9	2033
JCT-254_GV-249	PIPE	ACP	Treated	6	3	1978	46	55	9	2033
JCT-254_JCT-255	PIPE	ACP	Treated	12	9	1978	46	55	9	2033
JCT-255_GV-248	PIPE	ACP	Treated	4	4	1978	46	55	9	2033
JCT-256_BO-97	PIPE	ACP	Treated	4	3	1978	46	55	9	2033
JCT-257_GV-849	PIPE	ACP	Treated	4	4	1978	46	55	9	2033
JCT-257_JCT-255	PIPE	ACP	Treated	12	135	1978	46	55	9	2033
JCT-258_BO-98	PIPE	ACP	Treated	12	291	1978	46	55	9	2033
JCT-259_JCT-258	PIPE	ACP	Treated	12	31	1978	46	55	9	2033
JCT-261_BO-100	PIPE	ACP	Treated	10	58	1978	46	55	9	2033
JCT-262_ARV-78	PIPE	ACP	Treated	4	9	1978	46	55	9	2033
JCT-262_JCT-261	PIPE	ACP	Treated	10	163	1978	46	55	9	2033
JCT-263_GV-256	PIPE	ACP	Treated	6	3	1978	46	55	9	2033
JCT-263_JCT-262	PIPE	ACP	Treated	10	439	1978	46	55	9	2033
JCT-264_GV-259	PIPE	ACP	Treated	10	258	1978	46	55	9	2033
JCT-264_GV-262	PIPE	ACP	Treated	6	3	1978	46	55	9	2033
JCT-264_JCT-263	PIPE	ACP	Treated	10	36	1978	46	55	9	2033
JCT-265_JCT-266	PIPE	ACP	Treated	10	11	1978	46	55	9	2033
JCT-267_ARV-79	PIPE	ACP	Treated	4	9	1978	46	55	9	2033
JCT-267_BO-101	PIPE	ACP	Treated	6	2	1978	46	55	9	2033
JCT-268_JCT-267	PIPE	ACP	Treated	6	172	1978	46	55	9	2033
JCT-269_JCT-270	PIPE	ACP	Treated	6	80	1978	46	55	9	2033
JCT-270_BO-102	PIPE	ACP	Treated	6	3	1978	46	55	9	2033
JCT-271_GV-257	PIPE	ACP	Treated	10	153	1978	46	55	9	2033
JCT-272_JCT-271	PIPE	ACP	Treated	10	16	1978	46	55	9	2033
JCT-273_GV-850	PIPE	ACP	Treated	4	173	1978	46	55	9	2033
JCT-274_GV-266	PIPE	ACP	Treated	8	3	1978	46	55	9	2033
JCT-274_GV-267	PIPE	ACP	Treated	10	3	1978	46	55	9	2033
JCT-274_GV-268	PIPE	ACP	Treated	10	3	1978	46	55	9	2033
JCT-275_GV-265	PIPE	ACP	Treated	6	3	1978	46	55	9	2033
JCT-276_GV-270	PIPE	ACP	Treated	6	3	1978	46	55	9	2033
JCT-276_JCT-144	PIPE	ACP	Treated	8	119	1978	46	55	9	2033
JCT-276_JCT-277	PIPE	ACP	Treated	8	28	1978	46	55	9	2033
JCT-277_GV-269	PIPE	ACP	Treated	4	24	1978	46	55	9	2033
JCT-277_JCT-275	PIPE	ACP	Treated	8	370	1978	46	55	9	2033
JCT-278_GV-309	PIPE	ACP	Treated	8	5	1978	46	55	9	2033
JCT-278_GV-311	PIPE	ACP	Treated	6	3	1978	46	55	9	2033
JCT-280_JCT-279	PIPE	ACP	Treated	10	4	1978	46	55	9	2033
JCT-281_JCT-144	PIPE	ACP	Treated	8	65	1978	46	55	9	2033
JCT-282_JCT-281	PIPE	ACP	Treated	8	37	1978	46	55	9	2033
JCT-285_BO-107	PIPE	ACP	Treated	6	3	1978	46	55	9	2033

RMCS D PIPE INVENTORY (DRAFT)

ID	Item	Material	System	Size (in)	Length (ft)	Install Year	AGE	Est Life	Estimated Remaining Life	Replacement Year
JCT-286_JCT-285	PIPE	ACP	Treated	6	147	1978	46	55	9	2033
JCT-287_JCT-288	PIPE	ACP	Treated	8	4	1978	46	55	9	2033
JCT-289_BO-108	PIPE	ACP	Treated	8	236	1978	46	55	9	2033
JCT-290_BO-108	PIPE	ACP	Treated	8	20	1978	46	55	9	2033
JCT-290_JCT-292	PIPE	ACP	Treated	8	183	1978	46	55	9	2033
JCT-291_GV-277	PIPE	ACP	Treated	8	41	1978	46	55	9	2033
JCT-292_JCT-293	PIPE	ACP	Treated	8	219	1978	46	55	9	2033
JCT-293_BO-110	PIPE	ACP	Treated	8	3	1978	46	55	9	2033
JCT-294_GV-281	PIPE	ACP	Treated	8	139	1978	46	55	9	2033
JCT-295_ARV-85	PIPE	ACP	Treated	4	9	1978	46	55	9	2033
JCT-295_GV-283	PIPE	ACP	Treated	4	124	1978	46	55	9	2033
JCT-298_GV-287	PIPE	ACP	Treated	6	274	1978	46	55	9	2033
JCT-299_GV-288	PIPE	ACP	Treated	6	4	1978	46	55	9	2033
JCT-300_JCT-301	PIPE	ACP	Treated	10	327	1978	46	55	9	2033
JCT-301_JCT-302	PIPE	ACP	Treated	10	11	1978	46	55	9	2033
JCT-302_BO-112	PIPE	ACP	Treated	10	100	1978	46	55	9	2033
JCT-303_JCT-299	PIPE	ACP	Treated	10	231	1978	46	55	9	2033
JCT-303_JCT-304	PIPE	ACP	Treated	10	24	1978	46	55	9	2033
JCT-304_JCT-279	PIPE	ACP	Treated	10	53	1978	46	55	9	2033
JCT-305_GV-293	PIPE	ACP	Treated	4	130	1978	46	55	9	2033
JCT-306_JCT-305	PIPE	ACP	Treated	4	64	1978	46	55	9	2033
JCT-308_GV-851	PIPE	ACP	Treated	4	3	1978	46	55	9	2033
JCT-308_JCT-309	PIPE	ACP	Treated	6	271	1978	46	55	9	2033
JCT-309_JCT-310	PIPE	ACP	Treated	6	138	1978	46	55	9	2033
JCT-311_JCT-310	PIPE	ACP	Treated	6	152	1978	46	55	9	2033
JCT-312_GV-295	PIPE	ACP	Treated	6	201	1978	46	55	9	2033
JCT-313_GV-297	PIPE	ACP	Treated	6	59	1978	46	55	9	2033
JCT-314_JCT-312	PIPE	ACP	Treated	6	56	1978	46	55	9	2033
JCT-315_JCT-314	PIPE	ACP	Treated	6	50	1978	46	55	9	2033
JCT-316_GV-296	PIPE	ACP	Treated	6	4	1978	46	55	9	2033
JCT-316_JCT-315	PIPE	ACP	Treated	6	241	1978	46	55	9	2033
JCT-316_JCT-317	PIPE	ACP	Treated	6	262	1978	46	55	9	2033
JCT-317_GV-289	PIPE	ACP	Treated	6	125	1978	46	55	9	2033
JCT-318_GV-316	PIPE	ACP	Treated	12	3	1978	46	55	9	2033
JCT-318_JCT-345	PIPE	ACP	Treated	12	1562	1978	46	55	9	2033
JCT-322_ARV-95	PIPE	ACP	Treated	4	9	1978	46	55	9	2033
JCT-322_BO-117	PIPE	ACP	Treated	4	3	1978	46	55	9	2033
JCT-323_GV-303	PIPE	ACP	Treated	4	3	1978	46	55	9	2033
JCT-324_GV-304	PIPE	ACP	Treated	8	3	1978	46	55	9	2033
JCT-327_GV-307	PIPE	ACP	Treated	6	3	1978	46	55	9	2033
JCT-329_JCT-330	PIPE	ACP	Treated	6	8	1978	46	55	9	2033
JCT-330_GV-311	PIPE	ACP	Treated	6	14	1978	46	55	9	2033
JCT-331_GV-313	PIPE	ACP	Treated	6	5	1978	46	55	9	2033
JCT-331_JCT-382	PIPE	ACP	Treated	6	32	1978	46	55	9	2033
JCT-332_GV-315	PIPE	ACP	Treated	4	3	1978	46	55	9	2033
JCT-332_JCT-333	PIPE	ACP	Treated	8	12	1978	46	55	9	2033
JCT-333_GV-314	PIPE	ACP	Treated	6	3	1978	46	55	9	2033
JCT-333_JCT-323	PIPE	ACP	Treated	8	179	1978	46	55	9	2033
JCT-334_ARV-98	PIPE	ACP	Treated	4	9	1978	46	55	9	2033
JCT-334_BO-118	PIPE	ACP	Treated	4	3	1978	46	55	9	2033
JCT-335_GV-318	PIPE	ACP	Treated	6	3	1978	46	55	9	2033
JCT-336_JCT-335	PIPE	ACP	Treated	6	313	1978	46	55	9	2033
JCT-337_BO-119	PIPE	ACP	Treated	4	9	1978	46	55	9	2033
JCT-337_GV-319	PIPE	ACP	Treated	4	144	1978	46	55	9	2033
JCT-338_GV-320	PIPE	ACP	Treated	4	13	1978	46	55	9	2033
JCT-338_JCT-336	PIPE	ACP	Treated	6	148	1978	46	55	9	2033
JCT-339_BO-120	PIPE	ACP	Treated	6	61	1978	46	55	9	2033
JCT-340_ARV-100	PIPE	ACP	Treated	4	9	1978	46	55	9	2033
JCT-340_GV-321	PIPE	ACP	Treated	6	201	1978	46	55	9	2033
JCT-341_GV-323	PIPE	ACP	Treated	6	3	1978	46	55	9	2033
JCT-341_JCT-340	PIPE	ACP	Treated	6	309	1978	46	55	9	2033
JCT-342_ARV-101	PIPE	ACP	Treated	4	9	1978	46	55	9	2033
JCT-342_BO-122	PIPE	ACP	Treated	6	268	1978	46	55	9	2033
JCT-343_GV-324	PIPE	ACP	Treated	6	3	1978	46	55	9	2033
JCT-343_JCT-342	PIPE	ACP	Treated	6	190	1978	46	55	9	2033
JCT-344_GV-326	PIPE	ACP	Treated	12	4	1978	46	55	9	2033

RMCS D PIPE INVENTORY (DRAFT)

ID	Item	Material	System	Size (in)	Length (ft)	Install Year	AGE	Est Life	Estimated Remaining Life	Replacement Year
JCT-346_GV-1078	PIPE	ACP	Treated	12	78	1978	46	55	9	2033
JCT-347_GV-329	PIPE	ACP	Treated	12	5	1978	46	55	9	2033
JCT-363_GV-344	PIPE	ACP	Treated	6	3	1978	46	55	9	2033
JCT-365_ARV-103	PIPE	ACP	Treated	4	9	1978	46	55	9	2033
JCT-365_JCT-366	PIPE	ACP	Treated	6	149	1978	46	55	9	2033
JCT-366_GV-347	PIPE	ACP	Treated	6	3	1978	46	55	9	2033
JCT-366_JCT-367	PIPE	ACP	Treated	6	25	1978	46	55	9	2033
JCT-367_BO-124	PIPE	ACP	Treated	6	135	1978	46	55	9	2033
JCT-367_GV-346	PIPE	ACP	Treated	4	3	1978	46	55	9	2033
JCT-368_GV-348	PIPE	ACP	Treated	4	2	1978	46	55	9	2033
JCT-368_JCT-369	PIPE	ACP	Treated	6	97	1978	46	55	9	2033
JCT-369_GV-349	PIPE	ACP	Treated	6	2	1978	46	55	9	2033
JCT-369_JCT-370	PIPE	ACP	Treated	6	25	1978	46	55	9	2033
JCT-370_GV-350	PIPE	ACP	Treated	6	4	1978	46	55	9	2033
JCT-370_JCT-371	PIPE	ACP	Treated	6	14	1978	46	55	9	2033
JCT-371_GV-351	PIPE	ACP	Treated	6	8	1978	46	55	9	2033
JCT-372_ARV-104	PIPE	ACP	Treated	4	9	1978	46	55	9	2033
JCT-373_ARV-105	PIPE	ACP	Treated	4	9	1978	46	55	9	2033
JCT-373_BO-127	PIPE	ACP	Treated	6	3	1978	46	55	9	2033
JCT-374_GV-352	PIPE	ACP	Treated	6	2	1978	46	55	9	2033
JCT-374_JCT-373	PIPE	ACP	Treated	6	78	1978	46	55	9	2033
JCT-375_JCT-371	PIPE	ACP	Treated	6	81	1978	46	55	9	2033
JCT-376_BO-128	PIPE	ACP	Treated	6	241	1978	46	55	9	2033
JCT-377_GV-353	PIPE	ACP	Treated	6	3	1978	46	55	9	2033
JCT-377_JCT-376	PIPE	ACP	Treated	6	60	1978	46	55	9	2033
JCT-378_GV-354	PIPE	ACP	Treated	4	6	1978	46	55	9	2033
JCT-378_JCT-377	PIPE	ACP	Treated	6	34	1978	46	55	9	2033
JCT-379_GV-355	PIPE	ACP	Treated	6	13	1978	46	55	9	2033
JCT-379_GV-356	PIPE	ACP	Treated	4	4	1978	46	55	9	2033
JCT-380_ARV-108	PIPE	ACP	Treated	4	9	1978	46	55	9	2033
JCT-380_BO-129	PIPE	ACP	Treated	4	3	1978	46	55	9	2033
JCT-381_ARV-109	PIPE	ACP	Treated	4	9	1978	46	55	9	2033
JCT-381_BO-251	PIPE	ACP	Treated	6	175	1978	46	55	9	2033
JCT-382_GV-357	PIPE	ACP	Treated	6	2	1978	46	55	9	2033
JCT-382_JCT-381	PIPE	ACP	Treated	6	6	1978	46	55	9	2033
JCT-383_BO-131	PIPE	ACP	Treated	4	3	1978	46	55	9	2033
JCT-384_GV-852	PIPE	ACP	Treated	4	5	1978	46	55	9	2033
JCT-384_JCT-331	PIPE	ACP	Treated	6	185	1978	46	55	9	2033
JCT-385_GV-853	PIPE	ACP	Treated	4	5	1978	46	55	9	2033
JCT-385_JCT-384	PIPE	ACP	Treated	6	37	1978	46	55	9	2033
JCT-386_ARV-111	PIPE	ACP	Treated	4	9	1978	46	55	9	2033
JCT-386_BO-133	PIPE	ACP	Treated	4	3	1978	46	55	9	2033
JCT-387_GV-359	PIPE	ACP	Treated	4	3	1978	46	55	9	2033
JCT-387_JCT-385	PIPE	ACP	Treated	6	251	1978	46	55	9	2033
JCT-388_GV-358	PIPE	ACP	Treated	6	3	1978	46	55	9	2033
JCT-388_JCT-387	PIPE	ACP	Treated	6	20	1978	46	55	9	2033
JCT-389_GV-360	PIPE	ACP	Treated	4	2	1978	46	55	9	2033
JCT-389_JCT-388	PIPE	ACP	Treated	6	195	1978	46	55	9	2033
CO-22_MH-98	PIPE	AC	Gravity	6	167	1978	46	55	9	2033
CO-223_MH-222	PIPE	AC	Gravity	6	113	1978	46	55	9	2033
CO-23_MH-99	PIPE	AC	Gravity	6	112	1978	46	55	9	2033
CO-233_MH-268	PIPE	AC	Gravity	6	121	1978	46	55	9	2033
CO-234_MH-308	PIPE	AC	Gravity	6	162	1978	46	55	9	2033
CO-235_MH-284	PIPE	AC	Gravity	6	130	1978	46	55	9	2033
CO-236_MH-265	PIPE	AC	Gravity	6	138	1978	46	55	9	2033
CO-24_MH-100	PIPE	AC	Gravity	6	200	1978	46	55	9	2033
CO-66_MH-278	PIPE	AC	Gravity	6	71	1978	46	55	9	2033
CO-67_MH-286	PIPE	AC	Gravity	6	137	1978	46	55	9	2033
CO-68_MH-104	PIPE	AC	Gravity	6	125	1978	46	55	9	2033
CO-69_MH-318	PIPE	AC	Gravity	6	101	1978	46	55	9	2033
CO-79_MH-382	PIPE	AC	Gravity	6	95	1978	46	55	9	2033
CO-80_MH-383	PIPE	AC	Gravity	6	136	1978	46	55	9	2033
CO-81_MH-763	PIPE	AC	Gravity	6	123	1978	46	55	9	2033
CO-82_MH-387	PIPE	AC	Gravity	6	82	1978	46	55	9	2033
MH-100_MH-77	PIPE	AC	Gravity	6	324	1978	46	55	9	2033
MH-101_MH-102	PIPE	AC	Gravity	10	173	1978	46	55	9	2033

RMCS D PIPE INVENTORY (DRAFT)

ID	Item	Material	System	Size (in)	Length (ft)	Install Year	AGE	Est Life	Estimated Remaining Life	Replacement Year
MH-103_MH-104	PIPE	AC	Gravity	10	402	1978	46	55	9	2033
MH-104_MH-293	PIPE	AC	Gravity	10	292	1978	46	55	9	2033
MH-210_MH-764	PIPE	AC	Gravity	8	155	1978	46	55	9	2033
MH-221_MH-222	PIPE	AC	Gravity	6	248	1978	46	55	9	2033
MH-222_MH-223	PIPE	AC	Gravity	6	314	1978	46	55	9	2033
MH-223_MH-224	PIPE	AC	Gravity	6	297	1978	46	55	9	2033
MH-224_MH-225	PIPE	AC	Gravity	6	265	1978	46	55	9	2033
MH-225_MH-232	PIPE	AC	Gravity	8	200	1978	46	55	9	2033
MH-229_MH-230	PIPE	AC	Gravity	6	232	1978	46	55	9	2033
MH-230_MH-225	PIPE	AC	Gravity	6	351	1978	46	55	9	2033
MH-232_MH-255	PIPE	AC	Gravity	8	268	1978	46	55	9	2033
MH-245_MH-248	PIPE	AC	Gravity	6	164	1978	46	55	9	2033
MH-248_MH-232	PIPE	AC	Gravity	6	36	1978	46	55	9	2033
MH-250_MH-784	PIPE	AC	Gravity	6	134	1978	46	55	9	2033
MH-251_MH-252	PIPE	AC	Gravity	6	319	1978	46	55	9	2033
MH-252_MH-253	PIPE	AC	Gravity	6	196	1978	46	55	9	2033
MH-253_MH-248	PIPE	AC	Gravity	6	322	1978	46	55	9	2033
MH-254_MH-256	PIPE	AC	Gravity	6	206	1978	46	55	9	2033
MH-255_MH-256	PIPE	AC	Gravity	8	260	1978	46	55	9	2033
MH-256_MH-257	PIPE	AC	Gravity	8	196	1978	46	55	9	2033
MH-257_MH-765	PIPE	AC	Gravity	8	153	1978	46	55	9	2033
MH-258_MH-259	PIPE	AC	Gravity	6	187	1978	46	55	9	2033
MH-259_MH-260	PIPE	AC	Gravity	6	286	1978	46	55	9	2033
MH-260_MH-261	PIPE	AC	Gravity	6	148	1978	46	55	9	2033
MH-261_MH-275	PIPE	AC	Gravity	8	332	1978	46	55	9	2033
MH-262_MH-260	PIPE	AC	Gravity	6	133	1978	46	55	9	2033
MH-263_MH-262	PIPE	AC	Gravity	6	241	1978	46	55	9	2033
MH-264_MH-263	PIPE	AC	Gravity	6	133	1978	46	55	9	2033
MH-265_MH-266	PIPE	AC	Gravity	6	149	1978	46	55	9	2033
MH-266_MH-263	PIPE	AC	Gravity	6	237	1978	46	55	9	2033
MH-267_MH-268	PIPE	AC	Gravity	6	239	1978	46	55	9	2033
MH-268_MH-266	PIPE	AC	Gravity	6	180	1978	46	55	9	2033
MH-270_MH-272	PIPE	AC	Gravity	6	204	1978	46	55	9	2033
MH-271_MH-272	PIPE	AC	Gravity	6	235	1978	46	55	9	2033
MH-272_MH-273	PIPE	AC	Gravity	6	221	1978	46	55	9	2033
MH-273_MH-274	PIPE	AC	Gravity	6	189	1978	46	55	9	2033
MH-274_MH-262	PIPE	AC	Gravity	6	339	1978	46	55	9	2033
MH-278_MH-277	PIPE	AC	Gravity	6	430	1978	46	55	9	2033
MH-279_MH-278	PIPE	AC	Gravity	6	188	1978	46	55	9	2033
MH-280_MH-279	PIPE	AC	Gravity	6	232	1978	46	55	9	2033
MH-281_MH-279	PIPE	AC	Gravity	6	300	1978	46	55	9	2033
MH-282_MH-283	PIPE	AC	Gravity	6	255	1978	46	55	9	2033
MH-283_MH-284	PIPE	AC	Gravity	6	232	1978	46	55	9	2033
MH-284_MH-286	PIPE	AC	Gravity	6	247	1978	46	55	9	2033
MH-286_MH-288	PIPE	AC	Gravity	6	402	1978	46	55	9	2033
MH-291_MH-290	PIPE	AC	Gravity	10	424	1978	46	55	9	2033
MH-292_MH-291	PIPE	AC	Gravity	10	336	1978	46	55	9	2033
MH-293_MH-292	PIPE	AC	Gravity	10	149	1978	46	55	9	2033
MH-294_MH-292	PIPE	AC	Gravity	6	164	1978	46	55	9	2033
MH-295_MH-294	PIPE	AC	Gravity	6	140	1978	46	55	9	2033
MH-296_MH-295	PIPE	AC	Gravity	6	104	1978	46	55	9	2033
MH-297_MH-296	PIPE	AC	Gravity	6	323	1978	46	55	9	2033
MH-298_MH-299	PIPE	AC	Gravity	6	192	1978	46	55	9	2033
MH-299_MH-300	PIPE	AC	Gravity	6	320	1978	46	55	9	2033
MH-300_MH-301	PIPE	AC	Gravity	6	130	1978	46	55	9	2033
MH-301_MH-302	PIPE	AC	Gravity	6	91	1978	46	55	9	2033
MH-302_MH-319	PIPE	AC	Gravity	6	238	1978	46	55	9	2033
MH-303_MH-301	PIPE	AC	Gravity	6	236	1978	46	55	9	2033
MH-304_MH-303	PIPE	AC	Gravity	6	262	1978	46	55	9	2033
MH-305_MH-306	PIPE	AC	Gravity	6	220	1978	46	55	9	2033
MH-306_MH-304	PIPE	AC	Gravity	6	277	1978	46	55	9	2033
MH-308_MH-306	PIPE	AC	Gravity	6	152	1978	46	55	9	2033
MH-309_MH-308	PIPE	AC	Gravity	6	204	1978	46	55	9	2033
MH-310_MH-309	PIPE	AC	Gravity	6	80	1978	46	55	9	2033
MH-311_MH-310	PIPE	AC	Gravity	6	300	1978	46	55	9	2033
MH-312_MH-313	PIPE	AC	Gravity	6	256	1978	46	55	9	2033

RMCS D PIPE INVENTORY (DRAFT)

ID	Item	Material	System	Size (in)	Length (ft)	Install Year	AGE	Est Life	Estimated Remaining Life	Replacement Year
MH-313_MH-316	PIPE	AC	Gravity	6	309	1978	46	55	9	2033
MH-314_MH-313	PIPE	AC	Gravity	6	146	1978	46	55	9	2033
MH-315_MH-314	PIPE	AC	Gravity	6	264	1978	46	55	9	2033
MH-316_MH-304	PIPE	AC	Gravity	6	266	1978	46	55	9	2033
MH-317_MH-302	PIPE	AC	Gravity	6	269	1978	46	55	9	2033
MH-318_MH-319	PIPE	AC	Gravity	6	98	1978	46	55	9	2033
MH-319_MH-290	PIPE	AC	Gravity	6	144	1978	46	55	9	2033
MH-381_MH-382	PIPE	AC	Gravity	6	277	1978	46	55	9	2033
MH-382_MH-383	PIPE	AC	Gravity	6	306	1978	46	55	9	2033
MH-383_MH-384	PIPE	AC	Gravity	6	158	1978	46	55	9	2033
MH-384_MH-386	PIPE	AC	Gravity	6	348	1978	46	55	9	2033
MH-385_MH-386	PIPE	AC	Gravity	6	159	1978	46	55	9	2033
MH-386_MH-387	PIPE	AC	Gravity	6	104	1978	46	55	9	2033
MH-387_MH-388	PIPE	AC	Gravity	6	59	1978	46	55	9	2033
MH-388_MH-391	PIPE	AC	Gravity	6	213	1978	46	55	9	2033
MH-389_MH-388	PIPE	AC	Gravity	6	309	1978	46	55	9	2033
MH-390_MH-385	PIPE	AC	Gravity	6	140	1978	46	55	9	2033
MH-391_MH-392	PIPE	AC	Gravity	6	228	1978	46	55	9	2033
MH-393_MH-392	PIPE	AC	Gravity	6	131	1978	46	55	9	2033
MH-394_MH-393	PIPE	AC	Gravity	6	134	1978	46	55	9	2033
MH-395_MH-394	PIPE	AC	Gravity	6	183	1978	46	55	9	2033
MH-76_MH-77	PIPE	AC	Gravity	10	142	1978	46	55	9	2033
MH-763_MH-385	PIPE	AC	Gravity	6	61	1978	46	55	9	2033
MH-764_MH-224	PIPE	AC	Gravity	8	307	1978	46	55	9	2033
MH-765_MH-261	PIPE	AC	Gravity	8	373	1978	46	55	9	2033
MH-77_MH-101	PIPE	AC	Gravity	10	137	1978	46	55	9	2033
MH-98_MH-99	PIPE	AC	Gravity	6	145	1978	46	55	9	2033
MH-99_MH-77	PIPE	AC	Gravity	6	147	1978	46	55	9	2033
STUB-10_MH-763	PIPE	AC	Gravity	6	132	1978	46	55	9	2033
MH-380_MH-665	PIPE	VCP	Gravity	18	466	1973	51	60	9	2033
ARV-179_JCT-189	PIPE	ACP	Treated	10	1313	1979	45	55	10	2034
ARV-180_JCT-105	PIPE	ACP	Treated	8	244	1979	45	55	10	2034
ARV-19_JCT-60	PIPE	ACP	Treated	4	9	1979	45	55	10	2034
ARV-30_JCT-107	PIPE	ACP	Treated	4	9	1979	45	55	10	2034
ARV-37_JCT-131	PIPE	ACP	Treated	4	9	1979	45	55	10	2034
ARV-45_JCT-155	PIPE	ACP	Treated	4	9	1979	45	55	10	2034
ARV-57_JCT-214	PIPE	ACP	Treated	4	9	1979	45	55	10	2034
BO-220_JCT-86	PIPE	ACP	Treated	6	80	1979	45	55	10	2034
BO-256_JCT-80	PIPE	ACP	Treated	8	8	1979	45	55	10	2034
BO-36_GV-87	PIPE	ACP	Treated	4	150	1979	45	55	10	2034
BO-39_GV-93	PIPE	ACP	Treated	4	80	1979	45	55	10	2034
BO-41_GV-95	PIPE	ACP	Treated	4	124	1979	45	55	10	2034
BO-55_JCT-131	PIPE	ACP	Treated	8	3	1979	45	55	10	2034
BO-63_JCT-153	PIPE	ACP	Treated	4	3	1979	45	55	10	2034
BO-65_JCT-165	PIPE	ACP	Treated	4	3	1979	45	55	10	2034
BO-67_GV-172	PIPE	ACP	Treated	8	55	1979	45	55	10	2034
BO-85_JCT-224	PIPE	ACP	Treated	8	360	1979	45	55	10	2034
FH-16_GV-65	PIPE	ACP	Treated	6	27	1979	45	55	10	2034
FH-17_GV-69	PIPE	ACP	Treated	6	7	1979	45	55	10	2034
FH-20_GV-86	PIPE	ACP	Treated	6	27	1979	45	55	10	2034
FH-22_GV-97	PIPE	ACP	Treated	6	21	1979	45	55	10	2034
FH-23_GV-99	PIPE	ACP	Treated	6	21	1979	45	55	10	2034
FH-27_GV-113	PIPE	ACP	Treated	6	19	1979	45	55	10	2034
FH-28_GV-111	PIPE	ACP	Treated	6	27	1979	45	55	10	2034
FH-320_GV-1142	PIPE	ACP	Treated	6	10	1979	45	55	10	2034
FH-34_GV-139	PIPE	ACP	Treated	6	7	1979	45	55	10	2034
FH-35_GV-138	PIPE	ACP	Treated	6	21	1979	45	55	10	2034
FH-43_GV-163	PIPE	ACP	Treated	6	29	1979	45	55	10	2034
GV-109_JCT-103	PIPE	ACP	Treated	8	39	1979	45	55	10	2034
GV-110_ARV-180	PIPE	ACP	Treated	8	182	1979	45	55	10	2034
GV-111_JCT-103	PIPE	ACP	Treated	6	3	1979	45	55	10	2034
GV-112_JCT-107	PIPE	ACP	Treated	8	286	1979	45	55	10	2034
GV-113_JCT-105	PIPE	ACP	Treated	6	3	1979	45	55	10	2034
GV-1142_JCT-161	PIPE	ACP	Treated	10	434	1979	45	55	10	2034
GV-116_JCT-108	PIPE	ACP	Treated	10	5	1979	45	55	10	2034
GV-129_FH-33	PIPE	ACP	Treated	6	36	1979	45	55	10	2034

RMCS D PIPE INVENTORY (DRAFT)

ID	Item	Material	System	Size (in)	Length (ft)	Install Year	AGE	Est Life	Estimated Remaining Life	Replacement Year
GV-131_FH-32	PIPE	ACP	Treated	6	7	1979	45	55	10	2034
GV-133_JCT-125	PIPE	ACP	Treated	10	219	1979	45	55	10	2034
GV-134_JCT-126	PIPE	ACP	Treated	10	3	1979	45	55	10	2034
GV-135_FH-31	PIPE	ACP	Treated	6	7	1979	45	55	10	2034
GV-136_JCT-127	PIPE	ACP	Treated	10	28	1979	45	55	10	2034
GV-137_JCT-129	PIPE	ACP	Treated	8	3	1979	45	55	10	2034
GV-138_JCT-130	PIPE	ACP	Treated	6	3	1979	45	55	10	2034
GV-139_JCT-132	PIPE	ACP	Treated	6	2	1979	45	55	10	2034
GV-140_JCT-135	PIPE	ACP	Treated	8	127	1979	45	55	10	2034
GV-142_FH-37	PIPE	ACP	Treated	6	36	1979	45	55	10	2034
GV-143_BO-56	PIPE	ACP	Treated	14	14	1979	45	55	10	2034
GV-144_JCT-133	PIPE	ACP	Treated	8	2	1979	45	55	10	2034
GV-154_BO-255	PIPE	ACP	Treated	4	6	1979	45	55	10	2034
GV-155_FH-40	PIPE	ACP	Treated	6	7	1979	45	55	10	2034
GV-156_JCT-150	PIPE	ACP	Treated	8	131	1979	45	55	10	2034
GV-157_FH-41	PIPE	ACP	Treated	6	21	1979	45	55	10	2034
GV-159_BO-62	PIPE	ACP	Treated	4	194	1979	45	55	10	2034
GV-160_JCT-156	PIPE	ACP	Treated	4	67	1979	45	55	10	2034
GV-161_FH-42	PIPE	ACP	Treated	6	20	1979	45	55	10	2034
GV-162_JCT-163	PIPE	ACP	Treated	6	180	1979	45	55	10	2034
GV-163_JCT-164	PIPE	ACP	Treated	6	3	1979	45	55	10	2034
GV-164_JCT-163	PIPE	ACP	Treated	4	3	1979	45	55	10	2034
GV-165_JCT-167	PIPE	ACP	Treated	6	362	1979	45	55	10	2034
GV-166_FH-44	PIPE	ACP	Treated	6	21	1979	45	55	10	2034
GV-167_BO-66	PIPE	ACP	Treated	4	135	1979	45	55	10	2034
GV-168_JCT-178	PIPE	ACP	Treated	10	208	1979	45	55	10	2034
GV-169_JCT-173	PIPE	ACP	Treated	8	152	1979	45	55	10	2034
GV-170_FH-45	PIPE	ACP	Treated	6	7	1979	45	55	10	2034
GV-171_FH-46	PIPE	ACP	Treated	6	21	1979	45	55	10	2034
GV-172_JCT-174	PIPE	ACP	Treated	8	3	1979	45	55	10	2034
GV-173_JCT-176	PIPE	ACP	Treated	8	344	1979	45	55	10	2034
GV-174_FH-47	PIPE	ACP	Treated	6	21	1979	45	55	10	2034
GV-175_JCT-181	PIPE	ACP	Treated	6	59	1979	45	55	10	2034
GV-176_JCT-179	PIPE	ACP	Treated	4	286	1979	45	55	10	2034
GV-177_JCT-187	PIPE	ACP	Treated	6	194	1979	45	55	10	2034
GV-178_JCT-185	PIPE	ACP	Treated	6	10	1979	45	55	10	2034
GV-179_JCT-185	PIPE	ACP	Treated	6	216	1979	45	55	10	2034
GV-180_FH-48	PIPE	ACP	Treated	6	21	1979	45	55	10	2034
GV-181_FH-49	PIPE	ACP	Treated	6	7	1979	45	55	10	2034
GV-182_FH-50	PIPE	ACP	Treated	6	7	1979	45	55	10	2034
GV-184_JCT-182	PIPE	ACP	Treated	10	281	1979	45	55	10	2034
GV-185_ARV-179	PIPE	ACP	Treated	10	92	1979	45	55	10	2034
GV-186_JCT-183	PIPE	ACP	Treated	8	5	1979	45	55	10	2034
GV-187_GV-188	PIPE	ACP	Treated	8	193	1979	45	55	10	2034
GV-188_JCT-190	PIPE	ACP	Treated	8	317	1979	45	55	10	2034
GV-189_JCT-205	PIPE	ACP	Treated	12	6	1979	45	55	10	2034
GV-192_JCT-191	PIPE	ACP	Treated	8	45	1979	45	55	10	2034
GV-193_FH-51	PIPE	ACP	Treated	6	7	1979	45	55	10	2034
GV-194_FH-52	PIPE	ACP	Treated	6	7	1979	45	55	10	2034
GV-195_BO-72	PIPE	ACP	Treated	4	182	1979	45	55	10	2034
GV-196_BO-74	PIPE	ACP	Treated	4	134	1979	45	55	10	2034
GV-197_JCT-195	PIPE	ACP	Treated	8	4	1979	45	55	10	2034
GV-198_FH-321	PIPE	ACP	Treated	6	27	1979	45	55	10	2034
GV-199_BO-75	PIPE	ACP	Treated	4	100	1979	45	55	10	2034
GV-200_FH-53	PIPE	ACP	Treated	6	7	1979	45	55	10	2034
GV-201_JCT-199	PIPE	ACP	Treated	4	99	1979	45	55	10	2034
GV-202_BO-78	PIPE	ACP	Treated	4	160	1979	45	55	10	2034
GV-203_BO-77	PIPE	ACP	Treated	4	102	1979	45	55	10	2034
GV-204_FH-54	PIPE	ACP	Treated	6	27	1979	45	55	10	2034
GV-205_JCT-222	PIPE	ACP	Treated	8	3	1979	45	55	10	2034
GV-206_JCT-190	PIPE	ACP	Treated	8	2	1979	45	55	10	2034
GV-206_JCT-206	PIPE	ACP	Treated	8	121	1979	45	55	10	2034
GV-207_JCT-207	PIPE	ACP	Treated	4	140	1979	45	55	10	2034
GV-208_FH-55	PIPE	ACP	Treated	6	7	1979	45	55	10	2034
GV-209_BO-80	PIPE	ACP	Treated	4	82	1979	45	55	10	2034
GV-210_JCT-210	PIPE	ACP	Treated	8	4	1979	45	55	10	2034

RMCS D PIPE INVENTORY (DRAFT)

ID	Item	Material	System	Size (in)	Length (ft)	Install Year	AGE	Est Life	Estimated Remaining Life	Replacement Year
GV-211_FH-56	PIPE	ACP	Treated	6	11	1979	45	55	10	2034
GV-212_BO-81	PIPE	ACP	Treated	4	100	1979	45	55	10	2034
GV-213_JCT-214	PIPE	ACP	Treated	8	165	1979	45	55	10	2034
GV-214_FH-57	PIPE	ACP	Treated	6	6	1979	45	55	10	2034
GV-215_JCT-216	PIPE	ACP	Treated	8	3	1979	45	55	10	2034
GV-216_FH-244	PIPE	ACP	Treated	6	27	1979	45	55	10	2034
GV-217_BO-83	PIPE	ACP	Treated	4	218	1979	45	55	10	2034
GV-217_JCT-217	PIPE	ACP	Treated	4	3	1979	45	55	10	2034
GV-218_JCT-217	PIPE	ACP	Treated	8	3	1979	45	55	10	2034
GV-218_JCT-220	PIPE	ACP	Treated	8	251	1979	45	55	10	2034
GV-219_FH-58	PIPE	ACP	Treated	6	6	1979	45	55	10	2034
GV-220_FH-59	PIPE	ACP	Treated	6	27	1979	45	55	10	2034
GV-221_FH-60	PIPE	ACP	Treated	6	7	1979	45	55	10	2034
GV-222_JCT-227	PIPE	ACP	Treated	8	309	1979	45	55	10	2034
GV-223_JCT-226	PIPE	ACP	Treated	4	129	1979	45	55	10	2034
GV-224_JCT-228	PIPE	ACP	Treated	4	126	1979	45	55	10	2034
GV-225_FH-61	PIPE	ACP	Treated	6	7	1979	45	55	10	2034
GV-226_JCT-235	PIPE	ACP	Treated	4	4	1979	45	55	10	2034
GV-226_JCT-236	PIPE	ACP	Treated	4	142	1979	45	55	10	2034
GV-227_FH-62	PIPE	ACP	Treated	6	27	1979	45	55	10	2034
GV-228_JCT-237	PIPE	ACP	Treated	4	104	1979	45	55	10	2034
GV-511_JCT-133	PIPE	ACP	Treated	14	8	1979	45	55	10	2034
GV-65_JCT-62	PIPE	ACP	Treated	6	3	1979	45	55	10	2034
GV-66_JCT-60	PIPE	ACP	Treated	4	202	1979	45	55	10	2034
GV-67_JCT-63	PIPE	ACP	Treated	4	108	1979	45	55	10	2034
GV-68_JCT-65	PIPE	ACP	Treated	8	158	1979	45	55	10	2034
GV-69_JCT-65	PIPE	ACP	Treated	6	2	1979	45	55	10	2034
GV-82_JCT-79	PIPE	ACP	Treated	8	3	1979	45	55	10	2034
GV-83_JCT-79	PIPE	ACP	Treated	8	2	1979	45	55	10	2034
GV-845_JCT-159	PIPE	ACP	Treated	10	3	1979	45	55	10	2034
GV-846_JCT-161	PIPE	ACP	Treated	10	107	1979	45	55	10	2034
GV-847_JCT-211	PIPE	ACP	Treated	8	36	1979	45	55	10	2034
GV-848_JCT-148	PIPE	ACP	Treated	8	230	1979	45	55	10	2034
GV-86_JCT-78	PIPE	ACP	Treated	6	3	1979	45	55	10	2034
GV-861_RED-5	PIPE	ACP	Treated	10	2	1979	45	55	10	2034
GV-87_JCT-80	PIPE	ACP	Treated	4	3	1979	45	55	10	2034
GV-88_JCT-82	PIPE	ACP	Treated	6	131	1979	45	55	10	2034
GV-89_JCT-81	PIPE	ACP	Treated	8	201	1979	45	55	10	2034
GV-90_BO-37	PIPE	ACP	Treated	4	149	1979	45	55	10	2034
GV-91_BO-38	PIPE	ACP	Treated	4	122	1979	45	55	10	2034
GV-92_JCT-87	PIPE	ACP	Treated	6	32	1979	45	55	10	2034
GV-93_JCT-88	PIPE	ACP	Treated	4	2	1979	45	55	10	2034
GV-94_BO-40	PIPE	ACP	Treated	4	105	1979	45	55	10	2034
GV-94_JCT-89	PIPE	ACP	Treated	4	2	1979	45	55	10	2034
GV-95_JCT-91	PIPE	ACP	Treated	4	2	1979	45	55	10	2034
GV-96_JCT-92	PIPE	ACP	Treated	6	2	1979	45	55	10	2034
GV-97_JCT-87	PIPE	ACP	Treated	6	3	1979	45	55	10	2034
GV-98_FH-21	PIPE	ACP	Treated	6	9	1979	45	55	10	2034
GV-99_JCT-90	PIPE	ACP	Treated	6	2	1979	45	55	10	2034
JCT-103_GV-83	PIPE	ACP	Treated	8	487	1979	45	55	10	2034
JCT-104_GV-109	PIPE	ACP	Treated	8	3	1979	45	55	10	2034
JCT-104_GV-110	PIPE	ACP	Treated	8	2	1979	45	55	10	2034
JCT-105_BO-46	PIPE	ACP	Treated	8	12	1979	45	55	10	2034
JCT-106_GV-112	PIPE	ACP	Treated	8	3	1979	45	55	10	2034
JCT-106_GV-136	PIPE	ACP	Treated	10	3	1979	45	55	10	2034
JCT-106_GV-861	PIPE	ACP	Treated	10	3	1979	45	55	10	2034
JCT-107_JCT-104	PIPE	ACP	Treated	8	128	1979	45	55	10	2034
JCT-108_JCT-109	PIPE	ACP	Treated	10	7	1979	45	55	10	2034
JCT-109_JCT-154	PIPE	ACP	Treated	10	299	1979	45	55	10	2034
JCT-123_GV-116	PIPE	ACP	Treated	10	62	1979	45	55	10	2034
JCT-123_GV-129	PIPE	ACP	Treated	6	2	1979	45	55	10	2034
JCT-124_JCT-123	PIPE	ACP	Treated	10	355	1979	45	55	10	2034
JCT-125_GV-131	PIPE	ACP	Treated	6	2	1979	45	55	10	2034
JCT-125_JCT-124	PIPE	ACP	Treated	10	32	1979	45	55	10	2034
JCT-126_GV-132	PIPE	ACP	Treated	8	3	1979	45	55	10	2034
JCT-126_GV-133	PIPE	ACP	Treated	10	3	1979	45	55	10	2034

RMCS D PIPE INVENTORY (DRAFT)

ID	Item	Material	System	Size (in)	Length (ft)	Install Year	AGE	Est Life	Estimated Remaining Life	Replacement Year
JCT-127_GV-134	PIPE	ACP	Treated	10	195	1979	45	55	10	2034
JCT-127_GV-135	PIPE	ACP	Treated	6	2	1979	45	55	10	2034
JCT-128_ARV-36	PIPE	ACP	Treated	4	9	1979	45	55	10	2034
JCT-128_JCT-129	PIPE	ACP	Treated	14	68	1979	45	55	10	2034
JCT-129_JCT-132	PIPE	ACP	Treated	14	123	1979	45	55	10	2034
JCT-130_GV-137	PIPE	ACP	Treated	8	294	1979	45	55	10	2034
JCT-131_JCT-130	PIPE	ACP	Treated	8	2	1979	45	55	10	2034
JCT-132_BO-56	PIPE	ACP	Treated	14	527	1979	45	55	10	2034
JCT-133_GV-143	PIPE	ACP	Treated	14	3	1979	45	55	10	2034
JCT-134_ARV-38	PIPE	ACP	Treated	4	9	1979	45	55	10	2034
JCT-134_GV-144	PIPE	ACP	Treated	8	280	1979	45	55	10	2034
JCT-135_GV-142	PIPE	ACP	Treated	6	1	1979	45	55	10	2034
JCT-135_JCT-134	PIPE	ACP	Treated	8	52	1979	45	55	10	2034
JCT-146_GV-154	PIPE	ACP	Treated	4	2	1979	45	55	10	2034
JCT-146_JCT-147	PIPE	ACP	Treated	8	5	1979	45	55	10	2034
JCT-147_GV-155	PIPE	ACP	Treated	6	2	1979	45	55	10	2034
JCT-147_JCT-92	PIPE	ACP	Treated	8	31	1979	45	55	10	2034
JCT-148_GV-156	PIPE	ACP	Treated	8	2	1979	45	55	10	2034
JCT-148_JCT-146	PIPE	ACP	Treated	8	89	1979	45	55	10	2034
JCT-150_ARV-44	PIPE	ACP	Treated	4	9	1979	45	55	10	2034
JCT-150_JCT-152	PIPE	ACP	Treated	8	150	1979	45	55	10	2034
JCT-151_GV-158	PIPE	ACP	Treated	4	2	1979	45	55	10	2034
JCT-151_GV-159	PIPE	ACP	Treated	4	2	1979	45	55	10	2034
JCT-152_GV-157	PIPE	ACP	Treated	6	2	1979	45	55	10	2034
JCT-152_RED-8	PIPE	ACP	Treated	8	5	1979	45	55	10	2034
JCT-153_ARV-43	PIPE	ACP	Treated	4	9	1979	45	55	10	2034
JCT-153_GV-158	PIPE	ACP	Treated	4	151	1979	45	55	10	2034
JCT-154_GV-160	PIPE	ACP	Treated	8	3	1979	45	55	10	2034
JCT-154_GV-845	PIPE	ACP	Treated	10	244	1979	45	55	10	2034
JCT-155_BO-64	PIPE	ACP	Treated	4	28	1979	45	55	10	2034
JCT-156_GV-161	PIPE	ACP	Treated	6	2	1979	45	55	10	2034
JCT-156_RED-9	PIPE	ACP	Treated	4	7	1979	45	55	10	2034
JCT-158_GV-162	PIPE	ACP	Treated	6	31	1979	45	55	10	2034
JCT-159_GV-846	PIPE	ACP	Treated	10	2	1979	45	55	10	2034
JCT-161_GV-170	PIPE	ACP	Treated	6	2	1979	45	55	10	2034
JCT-163_JCT-164	PIPE	ACP	Treated	6	23	1979	45	55	10	2034
JCT-165_ARV-46	PIPE	ACP	Treated	4	9	1979	45	55	10	2034
JCT-165_GV-164	PIPE	ACP	Treated	4	109	1979	45	55	10	2034
JCT-166_GV-165	PIPE	ACP	Treated	6	4	1979	45	55	10	2034
JCT-166_GV-168	PIPE	ACP	Treated	10	7	1979	45	55	10	2034
JCT-166_JCT-170	PIPE	ACP	Treated	10	8	1979	45	55	10	2034
JCT-167_ARV-47	PIPE	ACP	Treated	4	9	1979	45	55	10	2034
JCT-167_JCT-168	PIPE	ACP	Treated	6	41	1979	45	55	10	2034
JCT-168_GV-167	PIPE	ACP	Treated	4	3	1979	45	55	10	2034
JCT-168_JCT-169	PIPE	ACP	Treated	6	56	1979	45	55	10	2034
JCT-169_GV-166	PIPE	ACP	Treated	6	3	1979	45	55	10	2034
JCT-169_JCT-164	PIPE	ACP	Treated	6	342	1979	45	55	10	2034
JCT-170_GV-169	PIPE	ACP	Treated	8	5	1979	45	55	10	2034
JCT-170_JCT-172	PIPE	ACP	Treated	10	149	1979	45	55	10	2034
JCT-172_ARV-48	PIPE	ACP	Treated	4	9	1979	45	55	10	2034
JCT-172_GV-1142	PIPE	ACP	Treated	10	100	1979	45	55	10	2034
JCT-173_BO-67	PIPE	ACP	Treated	8	3	1979	45	55	10	2034
JCT-173_GV-171	PIPE	ACP	Treated	6	3	1979	45	55	10	2034
JCT-174_GV-173	PIPE	ACP	Treated	8	3	1979	45	55	10	2034
JCT-174_JCT-175	PIPE	ACP	Treated	6	210	1979	45	55	10	2034
JCT-175_ARV-49	PIPE	ACP	Treated	4	9	1979	45	55	10	2034
JCT-175_BO-68	PIPE	ACP	Treated	6	100	1979	45	55	10	2034
JCT-176_ARV-50	PIPE	ACP	Treated	4	9	1979	45	55	10	2034
JCT-176_JCT-177	PIPE	ACP	Treated	8	130	1979	45	55	10	2034
JCT-177_GV-174	PIPE	ACP	Treated	6	3	1979	45	55	10	2034
JCT-177_RED-10	PIPE	ACP	Treated	8	7	1979	45	55	10	2034
JCT-178_GV-181	PIPE	ACP	Treated	6	2	1979	45	55	10	2034
JCT-178_JCT-180	PIPE	ACP	Treated	10	319	1979	45	55	10	2034
JCT-179_ARV-52	PIPE	ACP	Treated	4	9	1979	45	55	10	2034
JCT-179_BO-70	PIPE	ACP	Treated	4	3	1979	45	55	10	2034
JCT-180_GV-175	PIPE	ACP	Treated	6	2	1979	45	55	10	2034

RMCS D PIPE INVENTORY (DRAFT)

ID	Item	Material	System	Size (in)	Length (ft)	Install Year	AGE	Est Life	Estimated Remaining Life	Replacement Year
JCT-181_GV-176	PIPE	ACP	Treated	4	2	1979	45	55	10	2034
JCT-182_GV-182	PIPE	ACP	Treated	6	3	1979	45	55	10	2034
JCT-182_JCT-180	PIPE	ACP	Treated	10	167	1979	45	55	10	2034
JCT-183_GV-184	PIPE	ACP	Treated	10	5	1979	45	55	10	2034
JCT-183_GV-185	PIPE	ACP	Treated	10	5	1979	45	55	10	2034
JCT-184_GV-179	PIPE	ACP	Treated	6	5	1979	45	55	10	2034
JCT-184_GV-186	PIPE	ACP	Treated	8	110	1979	45	55	10	2034
JCT-184_JCT-238	PIPE	ACP	Treated	8	54	1979	45	55	10	2034
JCT-185_JCT-186	PIPE	ACP	Treated	6	36	1979	45	55	10	2034
JCT-186_GV-180	PIPE	ACP	Treated	6	3	1979	45	55	10	2034
JCT-186_JCT-188	PIPE	ACP	Treated	6	126	1979	45	55	10	2034
JCT-187_ARV-51	PIPE	ACP	Treated	4	9	1979	45	55	10	2034
JCT-187_GV-178	PIPE	ACP	Treated	6	76	1979	45	55	10	2034
JCT-188_GV-177	PIPE	ACP	Treated	6	2	1979	45	55	10	2034
JCT-188_JCT-181	PIPE	ACP	Treated	6	241	1979	45	55	10	2034
JCT-189_GV-187	PIPE	ACP	Treated	10	12	1979	45	55	10	2034
JCT-189_RED-11	PIPE	ACP	Treated	10	10	1979	45	55	10	2034
JCT-190_GV-192	PIPE	ACP	Treated	8	4	1979	45	55	10	2034
JCT-191_GV-193	PIPE	ACP	Treated	6	3	1979	45	55	10	2034
JCT-191_JCT-192	PIPE	ACP	Treated	8	486	1979	45	55	10	2034
JCT-192_GV-194	PIPE	ACP	Treated	6	3	1979	45	55	10	2034
JCT-192_JCT-193	PIPE	ACP	Treated	8	42	1979	45	55	10	2034
JCT-193_GV-195	PIPE	ACP	Treated	4	4	1979	45	55	10	2034
JCT-193_JCT-194	PIPE	ACP	Treated	8	422	1979	45	55	10	2034
JCT-194_GV-197	PIPE	ACP	Treated	8	20	1979	45	55	10	2034
JCT-194_GV-198	PIPE	ACP	Treated	6	3	1979	45	55	10	2034
JCT-195_GV-196	PIPE	ACP	Treated	4	4	1979	45	55	10	2034
JCT-195_JCT-196	PIPE	ACP	Treated	8	200	1979	45	55	10	2034
JCT-196_GV-199	PIPE	ACP	Treated	4	4	1979	45	55	10	2034
JCT-196_JCT-197	PIPE	ACP	Treated	8	31	1979	45	55	10	2034
JCT-197_GV-200	PIPE	ACP	Treated	6	3	1979	45	55	10	2034
JCT-197_JCT-198	PIPE	ACP	Treated	8	14	1979	45	55	10	2034
JCT-198_GV-201	PIPE	ACP	Treated	4	4	1979	45	55	10	2034
JCT-198_JCT-200	PIPE	ACP	Treated	8	158	1979	45	55	10	2034
JCT-199_ARV-53	PIPE	ACP	Treated	4	9	1979	45	55	10	2034
JCT-199_BO-76	PIPE	ACP	Treated	4	2	1979	45	55	10	2034
JCT-200_ARV-54	PIPE	ACP	Treated	4	9	1979	45	55	10	2034
JCT-200_JCT-201	PIPE	ACP	Treated	8	156	1979	45	55	10	2034
JCT-201_GV-202	PIPE	ACP	Treated	4	3	1979	45	55	10	2034
JCT-201_JCT-202	PIPE	ACP	Treated	8	24	1979	45	55	10	2034
JCT-202_GV-203	PIPE	ACP	Treated	4	3	1979	45	55	10	2034
JCT-202_JCT-203	PIPE	ACP	Treated	8	16	1979	45	55	10	2034
JCT-203_GV-204	PIPE	ACP	Treated	6	3	1979	45	55	10	2034
JCT-203_JCT-204	PIPE	ACP	Treated	8	92	1979	45	55	10	2034
JCT-204_ARV-55	PIPE	ACP	Treated	4	9	1979	45	55	10	2034
JCT-204_GV-205	PIPE	ACP	Treated	8	307	1979	45	55	10	2034
JCT-206_GV-207	PIPE	ACP	Treated	4	4	1979	45	55	10	2034
JCT-206_JCT-208	PIPE	ACP	Treated	8	66	1979	45	55	10	2034
JCT-207_ARV-56	PIPE	ACP	Treated	4	9	1979	45	55	10	2034
JCT-207_BO-79	PIPE	ACP	Treated	4	3	1979	45	55	10	2034
JCT-208_GV-208	PIPE	ACP	Treated	6	3	1979	45	55	10	2034
JCT-208_JCT-209	PIPE	ACP	Treated	8	38	1979	45	55	10	2034
JCT-209_GV-209	PIPE	ACP	Treated	4	4	1979	45	55	10	2034
JCT-209_GV-210	PIPE	ACP	Treated	8	309	1979	45	55	10	2034
JCT-210_GV-847	PIPE	ACP	Treated	8	4	1979	45	55	10	2034
JCT-210_JCT-235	PIPE	ACP	Treated	8	311	1979	45	55	10	2034
JCT-211_GV-211	PIPE	ACP	Treated	6	3	1979	45	55	10	2034
JCT-211_JCT-212	PIPE	ACP	Treated	8	243	1979	45	55	10	2034
JCT-212_GV-212	PIPE	ACP	Treated	4	4	1979	45	55	10	2034
JCT-212_JCT-213	PIPE	ACP	Treated	8	81	1979	45	55	10	2034
JCT-213_GV-213	PIPE	ACP	Treated	8	4	1979	45	55	10	2034
JCT-213_GV-215	PIPE	ACP	Treated	8	180	1979	45	55	10	2034
JCT-214_JCT-215	PIPE	ACP	Treated	8	97	1979	45	55	10	2034
JCT-215_BO-82	PIPE	ACP	Treated	8	57	1979	45	55	10	2034
JCT-215_GV-214	PIPE	ACP	Treated	6	2	1979	45	55	10	2034
JCT-216_GV-216	PIPE	ACP	Treated	6	3	1979	45	55	10	2034

RMCSO PIPE INVENTORY (DRAFT)

ID	Item	Material	System	Size (in)	Length (ft)	Install Year	AGE	Est Life	Estimated Remaining Life	Replacement Year
JCT-216_JCT-217	PIPE	ACP	Treated	8	25	1979	45	55	10	2034
JCT-217_JCT-218	PIPE	ACP	Treated	8	44	1979	45	55	10	2034
JCT-218_ARV-60	PIPE	ACP	Treated	4	9	1979	45	55	10	2034
JCT-218_JCT-222	PIPE	ACP	Treated	8	196	1979	45	55	10	2034
JCT-219_BO-254	PIPE	ACP	Treated	4	9	1979	45	55	10	2034
JCT-219_JCT-221	PIPE	ACP	Treated	8	197	1979	45	55	10	2034
JCT-220_GV-219	PIPE	ACP	Treated	6	2	1979	45	55	10	2034
JCT-220_JCT-219	PIPE	ACP	Treated	8	30	1979	45	55	10	2034
JCT-221_ARV-58	PIPE	ACP	Treated	4	9	1979	45	55	10	2034
JCT-221_BO-84	PIPE	ACP	Treated	4	3	1979	45	55	10	2034
JCT-222_JCT-223	PIPE	ACP	Treated	8	98	1979	45	55	10	2034
JCT-223_BO-85	PIPE	ACP	Treated	8	30	1979	45	55	10	2034
JCT-223_GV-220	PIPE	ACP	Treated	6	3	1979	45	55	10	2034
JCT-224_GV-221	PIPE	ACP	Treated	6	3	1979	45	55	10	2034
JCT-224_JCT-225	PIPE	ACP	Treated	8	43	1979	45	55	10	2034
JCT-225_GV-222	PIPE	ACP	Treated	8	3	1979	45	55	10	2034
JCT-225_GV-223	PIPE	ACP	Treated	4	3	1979	45	55	10	2034
JCT-226_ARV-61	PIPE	ACP	Treated	4	9	1979	45	55	10	2034
JCT-226_BO-86	PIPE	ACP	Treated	4	4	1979	45	55	10	2034
JCT-227_GV-224	PIPE	ACP	Treated	4	2	1979	45	55	10	2034
JCT-227_JCT-229	PIPE	ACP	Treated	8	42	1979	45	55	10	2034
JCT-228_ARV-62	PIPE	ACP	Treated	4	9	1979	45	55	10	2034
JCT-228_BO-87	PIPE	ACP	Treated	4	3	1979	45	55	10	2034
JCT-229_GV-132	PIPE	ACP	Treated	8	246	1979	45	55	10	2034
JCT-229_GV-225	PIPE	ACP	Treated	6	2	1979	45	55	10	2034
JCT-231_ARV-65	PIPE	ACP	Treated	4	9	1979	45	55	10	2034
JCT-231_GV-862	PIPE	ACP	Treated	14	24	1979	45	55	10	2034
JCT-232_GV-511	PIPE	ACP	Treated	14	51	1979	45	55	10	2034
JCT-233_GV-228	PIPE	ACP	Treated	4	4	1979	45	55	10	2034
JCT-233_JCT-231	PIPE	ACP	Treated	8	140	1979	45	55	10	2034
JCT-234_GV-227	PIPE	ACP	Treated	6	3	1979	45	55	10	2034
JCT-234_JCT-233	PIPE	ACP	Treated	8	32	1979	45	55	10	2034
JCT-235_JCT-234	PIPE	ACP	Treated	8	129	1979	45	55	10	2034
JCT-236_ARV-63	PIPE	ACP	Treated	4	9	1979	45	55	10	2034
JCT-236_BO-88	PIPE	ACP	Treated	4	3	1979	45	55	10	2034
JCT-237_ARV-64	PIPE	ACP	Treated	4	9	1979	45	55	10	2034
JCT-237_BO-89	PIPE	ACP	Treated	4	3	1979	45	55	10	2034
JCT-42_JCT-61	PIPE	ACP	Treated	8	166	1979	45	55	10	2034
JCT-60_BO-29	PIPE	ACP	Treated	4	4	1979	45	55	10	2034
JCT-61_GV-66	PIPE	ACP	Treated	4	3	1979	45	55	10	2034
JCT-61_JCT-62	PIPE	ACP	Treated	8	34	1979	45	55	10	2034
JCT-62_JCT-64	PIPE	ACP	Treated	8	267	1979	45	55	10	2034
JCT-63_ARV-20	PIPE	ACP	Treated	4	9	1979	45	55	10	2034
JCT-63_BO-30	PIPE	ACP	Treated	4	3	1979	45	55	10	2034
JCT-64_GV-67	PIPE	ACP	Treated	4	3	1979	45	55	10	2034
JCT-64_GV-68	PIPE	ACP	Treated	8	3	1979	45	55	10	2034
JCT-65_JCT-59	PIPE	ACP	Treated	8	46	1979	45	55	10	2034
JCT-78_GV-82	PIPE	ACP	Treated	8	27	1979	45	55	10	2034
JCT-79_JCT-59	PIPE	ACP	Treated	8	266	1979	45	55	10	2034
JCT-80_JCT-42	PIPE	ACP	Treated	8	95	1979	45	55	10	2034
JCT-81_BO-256	PIPE	ACP	Treated	8	249	1979	45	55	10	2034
JCT-81_GV-88	PIPE	ACP	Treated	6	4	1979	45	55	10	2034
JCT-82_ARV-25	PIPE	ACP	Treated	4	9	1979	45	55	10	2034
JCT-82_JCT-84	PIPE	ACP	Treated	6	240	1979	45	55	10	2034
JCT-83_GV-140	PIPE	ACP	Treated	8	3	1979	45	55	10	2034
JCT-83_GV-848	PIPE	ACP	Treated	8	3	1979	45	55	10	2034
JCT-83_GV-89	PIPE	ACP	Treated	8	4	1979	45	55	10	2034
JCT-84_GV-98	PIPE	ACP	Treated	6	2	1979	45	55	10	2034
JCT-84_JCT-85	PIPE	ACP	Treated	6	24	1979	45	55	10	2034
JCT-85_BO-220	PIPE	ACP	Treated	6	186	1979	45	55	10	2034
JCT-85_GV-90	PIPE	ACP	Treated	4	2	1979	45	55	10	2034
JCT-86_GV-91	PIPE	ACP	Treated	4	2	1979	45	55	10	2034
JCT-86_GV-92	PIPE	ACP	Treated	6	3	1979	45	55	10	2034
JCT-87_JCT-88	PIPE	ACP	Treated	6	131	1979	45	55	10	2034
JCT-88_JCT-89	PIPE	ACP	Treated	6	150	1979	45	55	10	2034
JCT-89_JCT-90	PIPE	ACP	Treated	6	109	1979	45	55	10	2034

RMCSO PIPE INVENTORY (DRAFT)

ID	Item	Material	System	Size (in)	Length (ft)	Install Year	AGE	Est Life	Estimated Remaining Life	Replacement Year
JCT-90_JCT-91	PIPE	ACP	Treated	6	126	1979	45	55	10	2034
JCT-91_GV-96	PIPE	ACP	Treated	6	284	1979	45	55	10	2034
JCT-92_BO-61	PIPE	ACP	Treated	8	181	1979	45	55	10	2034
RED-10_BO-69	PIPE	ACP	Treated	6	209	1979	45	55	10	2034
RED-11_GV-189	PIPE	ACP	Treated	12	522	1979	45	55	10	2034
RED-5_JCT-128	PIPE	ACP	Treated	14	25	1979	45	55	10	2034
RED-8_JCT-151	PIPE	ACP	Treated	4	26	1979	45	55	10	2034
RED-9_JCT-155	PIPE	ACP	Treated	4	127	1979	45	55	10	2034
CO-10_MH-40	PIPE	AC	Gravity	6	89	1979	45	55	10	2034
CO-107_MH-177	PIPE	AC	Gravity	6	142	1979	45	55	10	2034
CO-11_MH-44	PIPE	AC	Gravity	6	150	1979	45	55	10	2034
CO-12_MH-56	PIPE	AC	Gravity	6	149	1979	45	55	10	2034
CO-13_MH-60	PIPE	AC	Gravity	6	127	1979	45	55	10	2034
CO-14_MH-68	PIPE	AC	Gravity	6	132	1979	45	55	10	2034
CO-15_MH-72	PIPE	AC	Gravity	6	124	1979	45	55	10	2034
CO-16_MH-78	PIPE	AC	Gravity	6	112	1979	45	55	10	2034
CO-18_MH-90	PIPE	AC	Gravity	6	184	1979	45	55	10	2034
CO-19_MH-776	PIPE	AC	Gravity	6	53	1979	45	55	10	2034
CO-20_MH-91	PIPE	AC	Gravity	6	103	1979	45	55	10	2034
CO-21_MH-92	PIPE	AC	Gravity	6	100	1979	45	55	10	2034
CO-238_MH-771	PIPE	AC	Gravity	6	143	1979	45	55	10	2034
CO-239_MH-40	PIPE	AC	Gravity	6	102	1979	45	55	10	2034
CO-51_MH-201	PIPE	AC	Gravity	6	79	1979	45	55	10	2034
CO-52_MH-206	PIPE	AC	Gravity	6	29	1979	45	55	10	2034
CO-53_MH-211	PIPE	AC	Gravity	6	80	1979	45	55	10	2034
CO-54_MH-213	PIPE	AC	Gravity	6	64	1979	45	55	10	2034
CO-55_MH-214	PIPE	AC	Gravity	6	88	1979	45	55	10	2034
CO-56_MH-215	PIPE	AC	Gravity	6	110	1979	45	55	10	2034
CO-57_MH-218	PIPE	AC	Gravity	6	96	1979	45	55	10	2034
CO-6_MH-33	PIPE	AC	Gravity	6	142	1979	45	55	10	2034
CO-7_MH-32	PIPE	AC	Gravity	6	122	1979	45	55	10	2034
MH-12_MH-16	PIPE	AC	Gravity	6	191	1979	45	55	10	2034
MH-14_MH-12	PIPE	AC	Gravity	6	123	1979	45	55	10	2034
MH-15_MH-8	PIPE	AC	Gravity	6	328	1979	45	55	10	2034
MH-16_MH-18	PIPE	AC	Gravity	6	345	1979	45	55	10	2034
MH-161_MH-207	PIPE	AC	Gravity	8	84	1979	45	55	10	2034
MH-17_MH-16	PIPE	AC	Gravity	6	290	1979	45	55	10	2034
MH-176_MH-179	PIPE	AC	Gravity	6	465	1979	45	55	10	2034
MH-177_MH-178	PIPE	AC	Gravity	6	254	1979	45	55	10	2034
MH-178_MH-176	PIPE	AC	Gravity	6	425	1979	45	55	10	2034
MH-179_MH-183	PIPE	AC	Gravity	6	441	1979	45	55	10	2034
MH-18_MH-38	PIPE	AC	Gravity	6	110	1979	45	55	10	2034
MH-180_MH-181	PIPE	AC	Gravity	6	295	1979	45	55	10	2034
MH-181_MH-182	PIPE	AC	Gravity	6	197	1979	45	55	10	2034
MH-182_MH-769	PIPE	AC	Gravity	6	275	1979	45	55	10	2034
MH-183_MH-184	PIPE	AC	Gravity	6	107	1979	45	55	10	2034
MH-184_MH-186	PIPE	AC	Gravity	6	135	1979	45	55	10	2034
MH-185_MH-186	PIPE	AC	Gravity	6	182	1979	45	55	10	2034
MH-186_MH-187	PIPE	AC	Gravity	6	152	1979	45	55	10	2034
MH-187_MH-188	PIPE	AC	Gravity	6	97	1979	45	55	10	2034
MH-188_MH-190	PIPE	AC	Gravity	6	40	1979	45	55	10	2034
MH-189_MH-188	PIPE	AC	Gravity	6	266	1979	45	55	10	2034
MH-190_MH-202	PIPE	AC	Gravity	8	396	1979	45	55	10	2034
MH-192_MH-189	PIPE	AC	Gravity	6	182	1979	45	55	10	2034
MH-193_MH-194	PIPE	AC	Gravity	6	195	1979	45	55	10	2034
MH-194_MH-189	PIPE	AC	Gravity	6	170	1979	45	55	10	2034
MH-195_MH-194	PIPE	AC	Gravity	6	299	1979	45	55	10	2034
MH-196_MH-195	PIPE	AC	Gravity	6	363	1979	45	55	10	2034
MH-197_MH-196	PIPE	AC	Gravity	6	109	1979	45	55	10	2034
MH-198_MH-197	PIPE	AC	Gravity	6	87	1979	45	55	10	2034
MH-199_MH-196	PIPE	AC	Gravity	6	65	1979	45	55	10	2034
MH-200_MH-199	PIPE	AC	Gravity	6	147	1979	45	55	10	2034
MH-201_MH-200	PIPE	AC	Gravity	6	128	1979	45	55	10	2034
MH-202_MH-161	PIPE	AC	Gravity	8	84	1979	45	55	10	2034
MH-203_MH-190	PIPE	AC	Gravity	6	336	1979	45	55	10	2034
MH-204_MH-205	PIPE	AC	Gravity	6	227	1979	45	55	10	2034

RMCS D PIPE INVENTORY (DRAFT)

ID	Item	Material	System	Size (in)	Length (ft)	Install Year	AGE	Est Life	Estimated Remaining Life	Replacement Year
MH-205_MH-206	PIPE	AC	Gravity	6	226	1979	45	55	10	2034
MH-206_MH-207	PIPE	AC	Gravity	6	169	1979	45	55	10	2034
MH-207_MH-208	PIPE	AC	Gravity	8	189	1979	45	55	10	2034
MH-208_MH-209	PIPE	AC	Gravity	8	116	1979	45	55	10	2034
MH-209_MH-210	PIPE	AC	Gravity	8	121	1979	45	55	10	2034
MH-211_MH-210	PIPE	AC	Gravity	6	165	1979	45	55	10	2034
MH-211_MH-210	PIPE	AC	Gravity	6	124	1979	45	55	10	2034
MH-212_MH-211	PIPE	AC	Gravity	6	102	1979	45	55	10	2034
MH-213_MH-212	PIPE	AC	Gravity	6	100	1979	45	55	10	2034
MH-214_MH-213	PIPE	AC	Gravity	6	148	1979	45	55	10	2034
MH-215_MH-214	PIPE	AC	Gravity	6	233	1979	45	55	10	2034
MH-216_MH-215	PIPE	AC	Gravity	6	153	1979	45	55	10	2034
MH-217_MH-216	PIPE	AC	Gravity	6	213	1979	45	55	10	2034
MH-218_MH-216	PIPE	AC	Gravity	6	160	1979	45	55	10	2034
MH-219_MH-218	PIPE	AC	Gravity	6	298	1979	45	55	10	2034
MH-220_MH-219	PIPE	AC	Gravity	6	243	1979	45	55	10	2034
MH-24_MH-27	PIPE	AC	Gravity	6	369	1979	45	55	10	2034
MH-27_MH-31	PIPE	AC	Gravity	6	255	1979	45	55	10	2034
MH-29_MH-30	PIPE	AC	Gravity	6	158	1979	45	55	10	2034
MH-30_MH-31	PIPE	AC	Gravity	6	78	1979	45	55	10	2034
MH-31_MH-32	PIPE	AC	Gravity	6	137	1979	45	55	10	2034
MH-32_MH-33	PIPE	AC	Gravity	6	114	1979	45	55	10	2034
MH-33_MH-18	PIPE	AC	Gravity	6	210	1979	45	55	10	2034
MH-34_MH-33	PIPE	AC	Gravity	6	169	1979	45	55	10	2034
MH-35_MH-34	PIPE	AC	Gravity	6	103	1979	45	55	10	2034
MH-36_MH-35	PIPE	AC	Gravity	6	308	1979	45	55	10	2034
MH-37_MH-38	PIPE	AC	Gravity	6	137	1979	45	55	10	2034
MH-38_MH-39	PIPE	AC	Gravity	6	211	1979	45	55	10	2034
MH-39_MH-41	PIPE	AC	Gravity	8	280	1979	45	55	10	2034
MH-40_MH-39	PIPE	AC	Gravity	6	169	1979	45	55	10	2034
MH-41_MH-45	PIPE	AC	Gravity	8	77	1979	45	55	10	2034
MH-42_MH-39	PIPE	AC	Gravity	6	337	1979	45	55	10	2034
MH-43_MH-42	PIPE	AC	Gravity	6	164	1979	45	55	10	2034
MH-44_MH-40	PIPE	AC	Gravity	6	211	1979	45	55	10	2034
MH-45_MH-774	PIPE	AC	Gravity	8	277	1979	45	55	10	2034
MH-46_MH-45	PIPE	AC	Gravity	6	170	1979	45	55	10	2034
MH-47_MH-45	PIPE	AC	Gravity	6	167	1979	45	55	10	2034
MH-48_MH-47	PIPE	AC	Gravity	6	160	1979	45	55	10	2034
MH-49_MH-57	PIPE	AC	Gravity	8	144	1979	45	55	10	2034
MH-50_MH-49	PIPE	AC	Gravity	6	174	1979	45	55	10	2034
MH-51_MH-50	PIPE	AC	Gravity	6	132	1979	45	55	10	2034
MH-52_MH-50	PIPE	AC	Gravity	6	166	1979	45	55	10	2034
MH-53_MH-52	PIPE	AC	Gravity	6	94	1979	45	55	10	2034
MH-54_MH-52	PIPE	AC	Gravity	6	174	1979	45	55	10	2034
MH-55_MH-54	PIPE	AC	Gravity	6	213	1979	45	55	10	2034
MH-56_MH-57	PIPE	AC	Gravity	6	373	1979	45	55	10	2034
MH-57_MH-58	PIPE	AC	Gravity	8	293	1979	45	55	10	2034
MH-58_MH-73	PIPE	AC	Gravity	8	93	1979	45	55	10	2034
MH-59_MH-61	PIPE	AC	Gravity	6	255	1979	45	55	10	2034
MH-60_MH-61	PIPE	AC	Gravity	6	113	1979	45	55	10	2034
MH-61_MH-62	PIPE	AC	Gravity	6	149	1979	45	55	10	2034
MH-62_MH-63	PIPE	AC	Gravity	6	98	1979	45	55	10	2034
MH-63_MH-64	PIPE	AC	Gravity	6	366	1979	45	55	10	2034
MH-64_MH-65	PIPE	AC	Gravity	6	149	1979	45	55	10	2034
MH-65_MH-70	PIPE	AC	Gravity	6	358	1979	45	55	10	2034
MH-66_MH-67	PIPE	AC	Gravity	6	327	1979	45	55	10	2034
MH-663_MH-376	PIPE	ACP	Gravity	6	79	1979	45	55	10	2034
MH-67_MH-70	PIPE	AC	Gravity	6	363	1979	45	55	10	2034
MH-68_MH-67	PIPE	AC	Gravity	6	116	1979	45	55	10	2034
MH-69_MH-68	PIPE	AC	Gravity	6	270	1979	45	55	10	2034
MH-70_MH-775	PIPE	AC	Gravity	6	342	1979	45	55	10	2034
MH-71_MH-72	PIPE	AC	Gravity	8	97	1979	45	55	10	2034
MH-72_MH-58	PIPE	AC	Gravity	8	84	1979	45	55	10	2034
MH-73_MH-772	PIPE	AC	Gravity	8	184	1979	45	55	10	2034
MH-74_MH-75	PIPE	AC	Gravity	6	379	1979	45	55	10	2034
MH-75_MH-76	PIPE	AC	Gravity	6	163	1979	45	55	10	2034

RMCS D PIPE INVENTORY (DRAFT)

ID	Item	Material	System	Size (in)	Length (ft)	Install Year	AGE	Est Life	Estimated Remaining Life	Replacement Year
MH-768_MH-80	PIPE	AC	Gravity	6	237	1979	45	55	10	2034
MH-769_MH-184	PIPE	AC	Gravity	6	177	1979	45	55	10	2034
MH-770_MH-769	PIPE	AC	Gravity	6	144	1979	45	55	10	2034
MH-771_MH-770	PIPE	AC	Gravity	6	239	1979	45	55	10	2034
MH-772_MH-76	PIPE	AC	Gravity	8	237	1979	45	55	10	2034
MH-773_MH-207	PIPE	AC	Gravity	8	70	1979	45	55	10	2034
MH-774_MH-49	PIPE	AC	Gravity	8	238	1979	45	55	10	2034
MH-775_MH-71	PIPE	AC	Gravity	6	242	1979	45	55	10	2034
MH-776_MH-91	PIPE	AC	Gravity	6	103	1979	45	55	10	2034
MH-78_MH-71	PIPE	AC	Gravity	6	59	1979	45	55	10	2034
MH-79_MH-78	PIPE	AC	Gravity	6	240	1979	45	55	10	2034
MH-8_MH-12	PIPE	AC	Gravity	6	124	1979	45	55	10	2034
MH-80_MH-79	PIPE	AC	Gravity	6	218	1979	45	55	10	2034
MH-81_MH-768	PIPE	AC	Gravity	6	239	1979	45	55	10	2034
MH-86_MH-87	PIPE	AC	Gravity	6	121	1979	45	55	10	2034
MH-87_MH-89	PIPE	AC	Gravity	6	282	1979	45	55	10	2034
MH-89_MH-90	PIPE	AC	Gravity	6	104	1979	45	55	10	2034
MH-90_MH-69	PIPE	AC	Gravity	6	190	1979	45	55	10	2034
MH-91_MH-89	PIPE	AC	Gravity	6	219	1979	45	55	10	2034
MH-92_MH-93	PIPE	AC	Gravity	6	214	1979	45	55	10	2034
MH-93_MH-69	PIPE	AC	Gravity	6	428	1979	45	55	10	2034
STUB-1_MH-179	PIPE	AC	Gravity	6	23	1979	45	55	10	2034
STUB-3_MH-179	PIPE	AC	Gravity	6	100	1979	45	55	10	2034
CO-78_MH-338	PIPE	VCP	Gravity	6	81	1974	50	60	10	2034
MH-325_MH-326	PIPE	VCP	Gravity	12	242	1974	50	60	10	2034
MH-326_MH-327	PIPE	VCP	Gravity	12	222	1974	50	60	10	2034
MH-327_MH-328	PIPE	VCP	Gravity	12	87	1974	50	60	10	2034
MH-328_MH-331	PIPE	VCP	Gravity	12	187	1974	50	60	10	2034
MH-331_MH-332	PIPE	VCP	Gravity	12	141	1974	50	60	10	2034
MH-332_MH-340	PIPE	VCP	Gravity	15	238	1974	50	60	10	2034
MH-338_MH-342	PIPE	VCP	Gravity	15	239	1974	50	60	10	2034
MH-339_MH-338	PIPE	VCP	Gravity	15	267	1974	50	60	10	2034
MH-340_MH-339	PIPE	VCP	Gravity	15	426	1974	50	60	10	2034
MH-342_MH-377	PIPE	VCP	Gravity	15	390	1974	50	60	10	2034
MH-343_MH-342	PIPE	VCP	Gravity	8	272	1974	50	60	10	2034
MH-344_MH-343	PIPE	VCP	Gravity	8	287	1974	50	60	10	2034
MH-345_MH-344	PIPE	VCP	Gravity	8	259	1974	50	60	10	2034
MH-375_MH-342	PIPE	41' VCP/ 4	Gravity	6	105	1974	50	60	10	2034
MH-377_MH-378	PIPE	VCP	Gravity	15	256	1974	50	60	10	2034
MH-378_MH-379	PIPE	VCP	Gravity	15	386	1974	50	60	10	2034
MH-379_MH-380	PIPE	VCP	Gravity	15	270	1974	50	60	10	2034
MH-426_MH-427	PIPE	VCP	Gravity	6	255	1974	50	60	10	2034
MH-427_MH-435	PIPE	VCP	Gravity	8	225	1974	50	60	10	2034
MH-429_MH-427	PIPE	VCP	Gravity	6	154	1974	50	60	10	2034
MH-431_MH-429	PIPE	VCP	Gravity	6	213	1974	50	60	10	2034
MH-435_MH-439	PIPE	VCP	Gravity	10	85	1974	50	60	10	2034
MH-439_MH-441	PIPE	VCP	Gravity	10	131	1974	50	60	10	2034
MH-441_MH-442	PIPE	VCP	Gravity	10	148	1974	50	60	10	2034
MH-442_MH-443	PIPE	VCP	Gravity	10	300	1974	50	60	10	2034
MH-443_MH-380	PIPE	VCP	Gravity	10	214	1974	50	60	10	2034
ARV-10_JCT-28	PIPE	ACP	Treated	4	9	1980	44	55	11	2035
ARV-11_JCT-32	PIPE	ACP	Treated	4	9	1980	44	55	11	2035
ARV-12_JCT-34	PIPE	ACP	Treated	4	9	1980	44	55	11	2035
ARV-13_JCT-37	PIPE	ACP	Treated	4	9	1980	44	55	11	2035
ARV-15_JCT-48	PIPE	ACP	Treated	4	9	1980	44	55	11	2035
ARV-16_JCT-52	PIPE	ACP	Treated	4	9	1980	44	55	11	2035
ARV-181_JCT-24	PIPE	ACP	Treated	8	152	1980	44	55	11	2035
ARV-2_JCT-5	PIPE	ACP	Treated	2	9	1980	44	55	11	2035
ARV-26_JCT-93	PIPE	ACP	Treated	4	9	1980	44	55	11	2035
ARV-27_JCT-95	PIPE	ACP	Treated	8	175	1980	44	55	11	2035
ARV-28_JCT-99	PIPE	ACP	Treated	4	9	1980	44	55	11	2035
ARV-29_JCT-102	PIPE	ACP	Treated	4	9	1980	44	55	11	2035
ARV-3_JCT-9	PIPE	ACP	Treated	4	9	1980	44	55	11	2035
ARV-6_JCT-17	PIPE	ACP	Treated	4	9	1980	44	55	11	2035
ARV-66_JCT-171	PIPE	ACP	Raw	4	9	1980	44	55	11	2035
ARV-7_JCT-18	PIPE	ACP	Treated	4	9	1980	44	55	11	2035

RMCS D PIPE INVENTORY (DRAFT)

ID	Item	Material	System	Size (in)	Length (ft)	Install Year	AGE	Est Life	Estimated Remaining Life	Replacement Year
BO-1_JCT-1	PIPE	ACP	Treated	8	3	1980	44	55	11	2035
BO-10_JCT-18	PIPE	ACP	Treated	4	6	1980	44	55	11	2035
BO-11_JCT-19	PIPE	ACP	Treated	8	67	1980	44	55	11	2035
BO-12_JCT-22	PIPE	ACP	Treated	4	4	1980	44	55	11	2035
BO-13_JCT-26	PIPE	ACP	Treated	4	25	1980	44	55	11	2035
BO-14_JCT-29	PIPE	ACP	Treated	8	358	1980	44	55	11	2035
BO-15_GV-28	PIPE	ACP	Treated	8	216	1980	44	55	11	2035
BO-16_GV-34	PIPE	ACP	Treated	4	100	1980	44	55	11	2035
BO-19_JCT-37	PIPE	ACP	Treated	6	3	1980	44	55	11	2035
BO-2_JCT-2	PIPE	ACP	Treated	8	111	1980	44	55	11	2035
BO-20_GV-44	PIPE	ACP	Treated	4	153	1980	44	55	11	2035
BO-21_GV-45	PIPE	ACP	Treated	6	55	1980	44	55	11	2035
BO-25_JCT-49	PIPE	ACP	Treated	8	199	1980	44	55	11	2035
BO-257_JCT-57	PIPE	ACP	Treated	6	134	1980	44	55	11	2035
BO-43_ARV-27	PIPE	ACP	Treated	8	128	1980	44	55	11	2035
BO-45_JCT-102	PIPE	ACP	Treated	10	3	1980	44	55	11	2035
FH-1_GV-8	PIPE	ACP	Treated	6	28	1980	44	55	11	2035
FH-10_GV-43	PIPE	ACP	Treated	6	27	1980	44	55	11	2035
FH-12_GV-50	PIPE	ACP	Treated	6	7	1980	44	55	11	2035
FH-14_GV-58	PIPE	ACP	Treated	6	9	1980	44	55	11	2035
FH-15_GV-61	PIPE	ACP	Treated	6	7	1980	44	55	11	2035
FH-2_GV-9	PIPE	ACP	Treated	6	7	1980	44	55	11	2035
FH-24_GV-102	PIPE	ACP	Treated	6	35	1980	44	55	11	2035
FH-25_GV-103	PIPE	ACP	Treated	6	8	1980	44	55	11	2035
FH-26_GV-107	PIPE	ACP	Treated	6	39	1980	44	55	11	2035
FH-4_GV-19	PIPE	ACP	Treated	6	21	1980	44	55	11	2035
FH-5_GV-24	PIPE	ACP	Treated	6	34	1980	44	55	11	2035
FH-7_GV-30	PIPE	ACP	Treated	6	34	1980	44	55	11	2035
GV-1_JCT-2	PIPE	ACP	Treated	8	3	1980	44	55	11	2035
GV-10_JCT-8	PIPE	ACP	Treated	8	286	1980	44	55	11	2035
GV-100_JCT-66	PIPE	ACP	Treated	8	247	1980	44	55	11	2035
GV-101_JCT-94	PIPE	ACP	Treated	4	3	1980	44	55	11	2035
GV-102_JCT-95	PIPE	ACP	Treated	6	2	1980	44	55	11	2035
GV-103_JCT-97	PIPE	ACP	Treated	6	2	1980	44	55	11	2035
GV-104_JCT-97	PIPE	ACP	Treated	8	27	1980	44	55	11	2035
GV-105_BO-44	PIPE	ACP	Treated	8	129	1980	44	55	11	2035
GV-106_JCT-99	PIPE	ACP	Treated	8	234	1980	44	55	11	2035
GV-107_JCT-101	PIPE	ACP	Treated	6	4	1980	44	55	11	2035
GV-108_GV-114	PIPE	ACP	Treated	10	220	1980	44	55	11	2035
GV-114_GV-115	PIPE	ACP	Treated	10	133	1980	44	55	11	2035
GV-1146_GV-153	PIPE	ACP	Treated	8	138	1980	44	55	11	2035
GV-1147_JCT-11	PIPE	ACP	Treated	8	65	1980	44	55	11	2035
GV-115_JCT-108	PIPE	ACP	Treated	10	2	1980	44	55	11	2035
GV-12_BO-5	PIPE	ACP	Treated	4	190	1980	44	55	11	2035
GV-12_JCT-10	PIPE	ACP	Treated	4	3	1980	44	55	11	2035
GV-13_JCT-12	PIPE	ACP	Treated	4	119	1980	44	55	11	2035
GV-130_GV-1002	PIPE	ACP	Treated	8	147	1980	44	55	11	2035
GV-14_JCT-11	PIPE	ACP	Treated	8	3	1980	44	55	11	2035
GV-14_JCT-13	PIPE	ACP	Treated	8	145	1980	44	55	11	2035
GV-145_JCT-138	PIPE	ACP	Treated	8	67	1980	44	55	11	2035
GV-146_JCT-139	PIPE	ACP	Treated	8	53	1980	44	55	11	2035
GV-147_FH-38	PIPE	ACP	Treated	6	8	1980	44	55	11	2035
GV-148_BO-60	PIPE	ACP	Treated	8	127	1980	44	55	11	2035
GV-149_JCT-141	PIPE	ACP	Treated	8	152	1980	44	55	11	2035
GV-15_JCT-13	PIPE	ACP	Treated	8	3	1980	44	55	11	2035
GV-15_JCT-14	PIPE	ACP	Treated	8	134	1980	44	55	11	2035
GV-150_GV-1146	PIPE	ACP	Treated	8	136	1980	44	55	11	2035
GV-151_JCT-142	PIPE	ACP	Treated	8	250	1980	44	55	11	2035
GV-152_FH-39	PIPE	ACP	Treated	6	7	1980	44	55	11	2035
GV-153_JCT-144	PIPE	ACP	Treated	8	3	1980	44	55	11	2035
GV-16_JCT-13	PIPE	ACP	Treated	8	3	1980	44	55	11	2035
GV-16_JCT-15	PIPE	ACP	Treated	8	64	1980	44	55	11	2035
GV-17_FH-3	PIPE	ACP	Treated	6	34	1980	44	55	11	2035
GV-17_JCT-15	PIPE	ACP	Treated	6	3	1980	44	55	11	2035
GV-18_BO-8	PIPE	ACP	Treated	4	135	1980	44	55	11	2035
GV-183_BO-71	PIPE	ACP	Raw	4	17	1980	44	55	11	2035

RMCS D PIPE INVENTORY (DRAFT)

ID	Item	Material	System	Size (in)	Length (ft)	Install Year	AGE	Est Life	Estimated Remaining Life	Replacement Year
GV-19_JCT-19	PIPE	ACP	Treated	6	3	1980	44	55	11	2035
GV-2_JCT-3	PIPE	ACP	Treated	8	3	1980	44	55	11	2035
GV-2_JCT-46	PIPE	ACP	Treated	8	233	1980	44	55	11	2035
GV-20_BO-11	PIPE	ACP	Treated	8	349	1980	44	55	11	2035
GV-21_JCT-20	PIPE	ACP	Treated	8	3	1980	44	55	11	2035
GV-22_JCT-21	PIPE	ACP	Treated	4	3	1980	44	55	11	2035
GV-23_JCT-21	PIPE	ACP	Treated	8	3	1980	44	55	11	2035
GV-230_BO-90	PIPE	ACP	Raw	4	17	1980	44	55	11	2035
GV-231_BO-91	PIPE	ACP	Raw	4	17	1980	44	55	11	2035
GV-24_JCT-23	PIPE	ACP	Treated	6	3	1980	44	55	11	2035
GV-243_CAP-3	PIPE	ACP	Treated	16	2	1980	44	55	11	2035
GV-25_JCT-24	PIPE	ACP	Treated	8	3	1980	44	55	11	2035
GV-26_BO-14	PIPE	ACP	Treated	8	154	1980	44	55	11	2035
GV-27_FH-6	PIPE	ACP	Treated	6	21	1980	44	55	11	2035
GV-29_JCT-137	PIPE	ACP	Treated	8	381	1980	44	55	11	2035
GV-3_BO-2	PIPE	ACP	Treated	8	229	1980	44	55	11	2035
GV-3_JCT-3	PIPE	ACP	Treated	8	3	1980	44	55	11	2035
GV-30_JCT-29	PIPE	ACP	Treated	6	3	1980	44	55	11	2035
GV-31_JCT-31	PIPE	ACP	Treated	6	3	1980	44	55	11	2035
GV-31_JCT-32	PIPE	ACP	Treated	6	153	1980	44	55	11	2035
GV-32_JCT-30	PIPE	ACP	Treated	8	14	1980	44	55	11	2035
GV-34_JCT-30	PIPE	ACP	Treated	4	3	1980	44	55	11	2035
GV-35_FH-8	PIPE	ACP	Treated	6	27	1980	44	55	11	2035
GV-36_FH-9	PIPE	ACP	Treated	6	27	1980	44	55	11	2035
GV-37_BO-18	PIPE	ACP	Treated	6	322	1980	44	55	11	2035
GV-39_JCT-37	PIPE	ACP	Treated	6	464	1980	44	55	11	2035
GV-4_JCT-4	PIPE	ACP	Treated	8	3	1980	44	55	11	2035
GV-4_JCT-5	PIPE	ACP	Treated	8	126	1980	44	55	11	2035
GV-40_JCT-38	PIPE	ACP	Treated	8	3	1980	44	55	11	2035
GV-40_JCT-39	PIPE	ACP	Treated	8	238	1980	44	55	11	2035
GV-41_JCT-39	PIPE	ACP	Treated	8	3	1980	44	55	11	2035
GV-41_JCT-40	PIPE	ACP	Treated	8	102	1980	44	55	11	2035
GV-42_JCT-39	PIPE	ACP	Treated	8	3	1980	44	55	11	2035
GV-42_JCT-44	PIPE	ACP	Treated	8	560	1980	44	55	11	2035
GV-43_JCT-40	PIPE	ACP	Treated	6	3	1980	44	55	11	2035
GV-44_JCT-41	PIPE	ACP	Treated	4	4	1980	44	55	11	2035
GV-45_JCT-41	PIPE	ACP	Treated	6	3	1980	44	55	11	2035
GV-46_FH-11	PIPE	ACP	Treated	6	27	1980	44	55	11	2035
GV-47_GV-49	PIPE	ACP	Treated	8	226	1980	44	55	11	2035
GV-48_JCT-45	PIPE	ACP	Treated	4	123	1980	44	55	11	2035
GV-49_JCT-42	PIPE	ACP	Treated	8	3	1980	44	55	11	2035
GV-5_JCT-4	PIPE	ACP	Treated	8	3	1980	44	55	11	2035
GV-50_JCT-46	PIPE	ACP	Treated	6	3	1980	44	55	11	2035
GV-51_BO-24	PIPE	ACP	Treated	8	90	1980	44	55	11	2035
GV-52_BO-23	PIPE	ACP	Treated	4	123	1980	44	55	11	2035
GV-53_JCT-49	PIPE	ACP	Treated	8	3	1980	44	55	11	2035
GV-54_BO-234	PIPE	ACP	Treated	6	308	1980	44	55	11	2035
GV-55_FH-13	PIPE	ACP	Treated	6	27	1980	44	55	11	2035
GV-56_BO-25	PIPE	ACP	Treated	8	42	1980	44	55	11	2035
GV-57_BO-26	PIPE	ACP	Treated	6	261	1980	44	55	11	2035
GV-58_JCT-53	PIPE	ACP	Treated	6	2	1980	44	55	11	2035
GV-59_JCT-54	PIPE	ACP	Treated	8	3	1980	44	55	11	2035
GV-6_JCT-4	PIPE	ACP	Treated	8	147	1980	44	55	11	2035
GV-6_JCT-6	PIPE	ACP	Treated	8	3	1980	44	55	11	2035
GV-60_JCT-54	PIPE	ACP	Treated	8	2	1980	44	55	11	2035
GV-61_JCT-55	PIPE	ACP	Treated	6	2	1980	44	55	11	2035
GV-62_JCT-58	PIPE	ACP	Treated	6	329	1980	44	55	11	2035
GV-63_BO-257	PIPE	ACP	Treated	6	134	1980	44	55	11	2035
GV-63_JCT-56	PIPE	ACP	Treated	6	3	1980	44	55	11	2035
GV-64_JCT-54	PIPE	ACP	Treated	8	248	1980	44	55	11	2035
GV-7_JCT-6	PIPE	ACP	Treated	4	3	1980	44	55	11	2035
GV-7_JCT-7	PIPE	ACP	Treated	8	34	1980	44	55	11	2035
GV-70_JCT-6	PIPE	ACP	Treated	8	333	1980	44	55	11	2035
GV-70_JCT-66	PIPE	ACP	Treated	8	3	1980	44	55	11	2035
GV-77_JCT-78	PIPE	ACP	Treated	8	237	1980	44	55	11	2035
GV-8_JCT-7	PIPE	ACP	Treated	6	2	1980	44	55	11	2035

RMCS D PIPE INVENTORY (DRAFT)

ID	Item	Material	System	Size (in)	Length (ft)	Install Year	AGE	Est Life	Estimated Remaining Life	Replacement Year
GV-9_JCT-8	PIPE	ACP	Treated	6	3	1980	44	55	11	2035
IF-4_JCT-899	PIPE	ACP	Raw	36	8	1980	44	55	11	2035
JCT-1_ARV-1	PIPE	ACP	Treated	2	9	1980	44	55	11	2035
JCT-1_GV-1	PIPE	ACP	Treated	8	160	1980	44	55	11	2035
JCT-10_GV-1147	PIPE	ACP	Treated	8	3	1980	44	55	11	2035
JCT-100_GV-106	PIPE	ACP	Treated	8	3	1980	44	55	11	2035
JCT-100_GV-108	PIPE	ACP	Treated	10	3	1980	44	55	11	2035
JCT-101_JCT-100	PIPE	ACP	Treated	10	24	1980	44	55	11	2035
JCT-102_JCT-101	PIPE	ACP	Treated	10	100	1980	44	55	11	2035
JCT-11_GV-13	PIPE	ACP	Treated	4	3	1980	44	55	11	2035
JCT-12_ARV-4	PIPE	ACP	Treated	4	9	1980	44	55	11	2035
JCT-12_BO-6	PIPE	ACP	Treated	4	3	1980	44	55	11	2035
JCT-124_GV-130	PIPE	ACP	Treated	8	5	1980	44	55	11	2035
JCT-137_GV-145	PIPE	ACP	Treated	8	3	1980	44	55	11	2035
JCT-137_GV-146	PIPE	ACP	Treated	8	3	1980	44	55	11	2035
JCT-138_GV-148	PIPE	ACP	Treated	8	3	1980	44	55	11	2035
JCT-138_GV-149	PIPE	ACP	Treated	8	3	1980	44	55	11	2035
JCT-139_GV-147	PIPE	ACP	Treated	6	3	1980	44	55	11	2035
JCT-14_ARV-5	PIPE	ACP	Treated	4	9	1980	44	55	11	2035
JCT-14_BO-7	PIPE	ACP	Treated	8	4	1980	44	55	11	2035
JCT-140_ARV-39	PIPE	ACP	Treated	4	9	1980	44	55	11	2035
JCT-140_BO-59	PIPE	ACP	Treated	4	3	1980	44	55	11	2035
JCT-141_GV-150	PIPE	ACP	Treated	8	3	1980	44	55	11	2035
JCT-141_GV-151	PIPE	ACP	Treated	8	3	1980	44	55	11	2035
JCT-142_ARV-40	PIPE	ACP	Treated	4	9	1980	44	55	11	2035
JCT-142_JCT-143	PIPE	ACP	Treated	8	15	1980	44	55	11	2035
JCT-143_GV-152	PIPE	ACP	Treated	6	3	1980	44	55	11	2035
JCT-143_RED-6	PIPE	ACP	Treated	8	7	1980	44	55	11	2035
JCT-15_JCT-16	PIPE	ACP	Treated	8	32	1980	44	55	11	2035
JCT-16_GV-18	PIPE	ACP	Treated	4	3	1980	44	55	11	2035
JCT-16_JCT-17	PIPE	ACP	Treated	8	186	1980	44	55	11	2035
JCT-160_GV-231	PIPE	ACP	Raw	4	4	1980	44	55	11	2035
JCT-160_JCT-162	PIPE	ACP	Raw	33	237	1980	44	55	11	2035
JCT-160_JCT-171	PIPE	ACP	Raw	33	542	1980	44	55	11	2035
JCT-162_GV-230	PIPE	ACP	Raw	4	4	1980	44	55	11	2035
JCT-17_BO-9	PIPE	ACP	Treated	8	265	1980	44	55	11	2035
JCT-18_RED-2	PIPE	ACP	Treated	8	87	1980	44	55	11	2035
JCT-2_GV-10	PIPE	ACP	Treated	8	3	1980	44	55	11	2035
JCT-20_GV-20	PIPE	ACP	Treated	8	3	1980	44	55	11	2035
JCT-20_GV-23	PIPE	ACP	Treated	8	39	1980	44	55	11	2035
JCT-21_BO-9	PIPE	ACP	Treated	8	65	1980	44	55	11	2035
JCT-22_ARV-8	PIPE	ACP	Treated	4	9	1980	44	55	11	2035
JCT-22_GV-22	PIPE	ACP	Treated	4	163	1980	44	55	11	2035
JCT-23_ARV-181	PIPE	ACP	Treated	8	172	1980	44	55	11	2035
JCT-23_GV-21	PIPE	ACP	Treated	8	40	1980	44	55	11	2035
JCT-24_GV-26	PIPE	ACP	Treated	8	3	1980	44	55	11	2035
JCT-25_GV-25	PIPE	ACP	Treated	8	54	1980	44	55	11	2035
JCT-25_GV-27	PIPE	ACP	Treated	6	3	1980	44	55	11	2035
JCT-26_ARV-9	PIPE	ACP	Treated	4	9	1980	44	55	11	2035
JCT-26_RED-3	PIPE	ACP	Treated	4	85	1980	44	55	11	2035
JCT-27_GV-28	PIPE	ACP	Treated	8	3	1980	44	55	11	2035
JCT-27_GV-29	PIPE	ACP	Treated	8	3	1980	44	55	11	2035
JCT-28_JCT-27	PIPE	ACP	Treated	8	8	1980	44	55	11	2035
JCT-29_JCT-28	PIPE	ACP	Treated	8	79	1980	44	55	11	2035
JCT-3_GV-5	PIPE	ACP	Treated	8	202	1980	44	55	11	2035
JCT-30_BO-15	PIPE	ACP	Treated	8	139	1980	44	55	11	2035
JCT-31_GV-32	PIPE	ACP	Treated	8	4	1980	44	55	11	2035
JCT-32_BO-17	PIPE	ACP	Treated	6	176	1980	44	55	11	2035
JCT-33_GV-35	PIPE	ACP	Treated	6	3	1980	44	55	11	2035
JCT-33_JCT-31	PIPE	ACP	Treated	8	45	1980	44	55	11	2035
JCT-34_JCT-33	PIPE	ACP	Treated	8	115	1980	44	55	11	2035
JCT-35_GV-36	PIPE	ACP	Treated	6	3	1980	44	55	11	2035
JCT-35_JCT-38	PIPE	ACP	Treated	8	44	1980	44	55	11	2035
JCT-36_GV-37	PIPE	ACP	Treated	6	3	1980	44	55	11	2035
JCT-36_JCT-34	PIPE	ACP	Treated	8	90	1980	44	55	11	2035
JCT-36_JCT-35	PIPE	ACP	Treated	8	6	1980	44	55	11	2035

RMCSO PIPE INVENTORY (DRAFT)

ID	Item	Material	System	Size (in)	Length (ft)	Install Year	AGE	Est Life	Estimated Remaining Life	Replacement Year
JCT-38_GV-39	PIPE	ACP	Treated	6	3	1980	44	55	11	2035
JCT-40_RED-4	PIPE	ACP	Treated	8	10	1980	44	55	11	2035
JCT-43_GV-47	PIPE	ACP	Treated	8	4	1980	44	55	11	2035
JCT-43_GV-48	PIPE	ACP	Treated	4	3	1980	44	55	11	2035
JCT-44_GV-46	PIPE	ACP	Treated	6	3	1980	44	55	11	2035
JCT-44_JCT-43	PIPE	ACP	Treated	8	70	1980	44	55	11	2035
JCT-45_ARV-14	PIPE	ACP	Treated	4	9	1980	44	55	11	2035
JCT-45_BO-22	PIPE	ACP	Treated	4	4	1980	44	55	11	2035
JCT-46_BO-24	PIPE	ACP	Treated	8	221	1980	44	55	11	2035
JCT-47_GV-51	PIPE	ACP	Treated	8	3	1980	44	55	11	2035
JCT-47_GV-52	PIPE	ACP	Treated	4	3	1980	44	55	11	2035
JCT-48_JCT-47	PIPE	ACP	Treated	8	77	1980	44	55	11	2035
JCT-48_JCT-50	PIPE	ACP	Treated	8	136	1980	44	55	11	2035
JCT-49_GV-54	PIPE	ACP	Treated	6	3	1980	44	55	11	2035
JCT-5_BO-3	PIPE	ACP	Treated	8	3	1980	44	55	11	2035
JCT-50_GV-53	PIPE	ACP	Treated	8	27	1980	44	55	11	2035
JCT-50_GV-55	PIPE	ACP	Treated	6	2	1980	44	55	11	2035
JCT-51_GV-56	PIPE	ACP	Treated	8	3	1980	44	55	11	2035
JCT-51_GV-57	PIPE	ACP	Treated	6	3	1980	44	55	11	2035
JCT-52_JCT-51	PIPE	ACP	Treated	8	229	1980	44	55	11	2035
JCT-53_GV-59	PIPE	ACP	Treated	8	163	1980	44	55	11	2035
JCT-53_JCT-52	PIPE	ACP	Treated	8	10	1980	44	55	11	2035
JCT-55_GV-60	PIPE	ACP	Treated	8	126	1980	44	55	11	2035
JCT-56_GV-62	PIPE	ACP	Treated	6	3	1980	44	55	11	2035
JCT-56_JCT-55	PIPE	ACP	Treated	8	47	1980	44	55	11	2035
JCT-57_ARV-17	PIPE	ACP	Treated	4	9	1980	44	55	11	2035
JCT-57_BO-27	PIPE	ACP	Treated	6	4	1980	44	55	11	2035
JCT-58_ARV-18	PIPE	ACP	Treated	4	9	1980	44	55	11	2035
JCT-58_BO-28	PIPE	ACP	Treated	6	4	1980	44	55	11	2035
JCT-59_GV-64	PIPE	ACP	Treated	8	3	1980	44	55	11	2035
JCT-7_RED-1	PIPE	ACP	Treated	4	6	1980	44	55	11	2035
JCT-755_GV-183	PIPE	ACP	Raw	4	4	1980	44	55	11	2035
JCT-755_JCT-171	PIPE	ACP	Raw	33	848	1980	44	55	11	2035
JCT-755_RED-27	PIPE	ACP	Raw	33	5276	1980	44	55	11	2035
JCT-8_JCT-9	PIPE	ACP	Treated	8	104	1980	44	55	11	2035
JCT-899_JCT-900	PIPE	ACP	Raw	36	85	1980	44	55	11	2035
JCT-9_JCT-10	PIPE	ACP	Treated	8	89	1980	44	55	11	2035
JCT-900_JCT-901	PIPE	ACP	Raw	21	10	1980	44	55	11	2035
JCT-900_RED-28	PIPE	ACP	Raw	36	15	1980	44	55	11	2035
JCT-901_JCT-902	PIPE	ACP	Raw	21	5	1980	44	55	11	2035
JCT-902_JCT-903	PIPE	ACP	Raw	21	5	1980	44	55	11	2035
JCT-903_PUMP-1	PIPE	ACP	Raw	21	31	1980	44	55	11	2035
JCT-903_RED-27	PIPE	ACP	Raw	21	22	1980	44	55	11	2035
JCT-93_BO-42	PIPE	ACP	Treated	4	3	1980	44	55	11	2035
JCT-93_GV-101	PIPE	ACP	Treated	4	122	1980	44	55	11	2035
JCT-94_GV-100	PIPE	ACP	Treated	8	3	1980	44	55	11	2035
JCT-95_JCT-94	PIPE	ACP	Treated	8	43	1980	44	55	11	2035
JCT-97_BO-43	PIPE	ACP	Treated	8	309	1980	44	55	11	2035
JCT-98_GV-104	PIPE	ACP	Treated	8	3	1980	44	55	11	2035
JCT-98_GV-105	PIPE	ACP	Treated	8	3	1980	44	55	11	2035
JCT-99_JCT-98	PIPE	ACP	Treated	8	207	1980	44	55	11	2035
OF-6_RED-28	PIPE	ACP	Raw	21	1505	1980	44	55	11	2035
OF-7_JCT-162	PIPE	ACP	Raw	33	2657	1980	44	55	11	2035
PUMP-1_JCT-899	PIPE	ACP	Raw	36	65	1980	44	55	11	2035
PUMP-1_JCT-901	PIPE	ACP	Raw	21	27	1980	44	55	11	2035
PUMP-1_JCT-902	PIPE	ACP	Raw	21	28	1980	44	55	11	2035
RED-1_BO-4	PIPE	ACP	Treated	4	360	1980	44	55	11	2035
RED-2_JCT-19	PIPE	ACP	Treated	4	5	1980	44	55	11	2035
RED-3_JCT-25	PIPE	ACP	Treated	8	5	1980	44	55	11	2035
RED-4_JCT-41	PIPE	ACP	Treated	6	135	1980	44	55	11	2035
RED-6_BO-58	PIPE	ACP	Treated	4	319	1980	44	55	11	2035
RED-7_JCT-139	PIPE	ACP	Treated	8	4	1980	44	55	11	2035
RED-7_JCT-140	PIPE	ACP	Treated	4	96	1980	44	55	11	2035
CO-1_MH-11	PIPE	AC	Gravity	6	155	1980	44	55	11	2035
CO-17_MH-84	PIPE	AC	Gravity	6	187	1980	44	55	11	2035
CO-2_MH-1	PIPE	AC	Gravity	6	212	1980	44	55	11	2035

RMCS D PIPE INVENTORY (DRAFT)

ID	Item	Material	System	Size (in)	Length (ft)	Install Year	AGE	Est Life	Estimated Remaining Life	Replacement Year
CO-237_MH-15	PIPE	AC	Gravity	6	50	1980	44	55	11	2035
CO-240_MH-5	PIPE	AC	Gravity	6	157	1980	44	55	11	2035
CO-241_MH-148	PIPE	AC	Gravity	6	113	1980	44	55	11	2035
CO-242_MH-778	PIPE	AC	Gravity	6	180	1980	44	55	11	2035
CO-243_MH-122	PIPE	AC	Gravity	6	110	1980	44	55	11	2035
CO-244_MH-780	PIPE	AC	Gravity	6	123	1980	44	55	11	2035
CO-245_MH-126	PIPE	AC	Gravity	6	217	1980	44	55	11	2035
CO-246_MH-132	PIPE	AC	Gravity	6	191	1980	44	55	11	2035
CO-247_MH-145	PIPE	AC	Gravity	6	292	1980	44	55	11	2035
CO-248_MH-110	PIPE	AC	Gravity	6	155	1980	44	55	11	2035
CO-249_MH-783	PIPE	AC	Gravity	6	182	1980	44	55	11	2035
CO-25_MH-105	PIPE	AC	Gravity	6	76	1980	44	55	11	2035
CO-250_MH-243	PIPE	AC	Gravity	6	160	1980	44	55	11	2035
CO-251_MH-168	PIPE	AC	Gravity	6	159	1980	44	55	11	2035
CO-26_MH-108	PIPE	AC	Gravity	6	87	1980	44	55	11	2035
CO-27_MH-112	PIPE	AC	Gravity	6	150	1980	44	55	11	2035
CO-28_MH-778	PIPE	AC	Gravity	6	17	1980	44	55	11	2035
CO-3_MH-4	PIPE	AC	Gravity	6	216	1980	44	55	11	2035
CO-30_MH-124	PIPE	AC	Gravity	6	209	1980	44	55	11	2035
CO-31_MH-115	PIPE	AC	Gravity	6	124	1980	44	55	11	2035
CO-32_MH-119	PIPE	AC	Gravity	6	102	1980	44	55	11	2035
CO-33_MH-131	PIPE	AC	Gravity	6	119	1980	44	55	11	2035
CO-34_MH-131	PIPE	AC	Gravity	6	159	1980	44	55	11	2035
CO-35_MH-130	PIPE	AC	Gravity	6	163	1980	44	55	11	2035
CO-36_MH-129	PIPE	AC	Gravity	6	144	1980	44	55	11	2035
CO-37_MH-139	PIPE	AC	Gravity	6	182	1980	44	55	11	2035
CO-38_MH-138	PIPE	AC	Gravity	6	89	1980	44	55	11	2035
CO-39_MH-142	PIPE	AC	Gravity	6	179	1980	44	55	11	2035
CO-4_MH-7	PIPE	AC	Gravity	6	246	1980	44	55	11	2035
CO-40_MH-143	PIPE	AC	Gravity	6	146	1980	44	55	11	2035
CO-41_CO-247	PIPE	AC	Gravity	6	154	1980	44	55	11	2035
CO-42_CO-247	PIPE	AC	Gravity	6	124	1980	44	55	11	2035
CO-43_MH-149	PIPE	AC	Gravity	6	72	1980	44	55	11	2035
CO-44_MH-149	PIPE	AC	Gravity	6	97	1980	44	55	11	2035
CO-45_MH-155	PIPE	AC	Gravity	6	40	1980	44	55	11	2035
CO-46_MH-174	PIPE	AC	Gravity	6	115	1980	44	55	11	2035
CO-47_MH-175	PIPE	AC	Gravity	6	112	1980	44	55	11	2035
CO-48_MH-173	PIPE	AC	Gravity	6	180	1980	44	55	11	2035
CO-49_MH-164	PIPE	AC	Gravity	6	151	1980	44	55	11	2035
CO-5_MH-13	PIPE	AC	Gravity	6	89	1980	44	55	11	2035
CO-50_MH-191	PIPE	AC	Gravity	6	102	1980	44	55	11	2035
CO-58_MH-227	PIPE	AC	Gravity	6	96	1980	44	55	11	2035
CO-59_MH-226	PIPE	AC	Gravity	6	204	1980	44	55	11	2035
CO-60_MH-233	PIPE	AC	Gravity	6	162	1980	44	55	11	2035
CO-61_MH-236	PIPE	AC	Gravity	6	109	1980	44	55	11	2035
CO-62_MH-238	PIPE	AC	Gravity	6	171	1980	44	55	11	2035
CO-63_MH-246	PIPE	AC	Gravity	6	164	1980	44	55	11	2035
CO-64_MH-250	PIPE	AC	Gravity	6	176	1980	44	55	11	2035
CO-8_MH-28	PIPE	AC	Gravity	6	111	1980	44	55	11	2035
CO-9_MH-779	PIPE	AC	Gravity	6	132	1980	44	55	11	2035
MH-1_MH-5	PIPE	AC	Gravity	6	250	1980	44	55	11	2035
MH-10_MH-9	PIPE	AC	Gravity	6	260	1980	44	55	11	2035
MH-105_MH-106	PIPE	AC	Gravity	6	302	1980	44	55	11	2035
MH-106_MH-107	PIPE	AC	Gravity	6	210	1980	44	55	11	2035
MH-107_MH-108	PIPE	AC	Gravity	6	177	1980	44	55	11	2035
MH-108_MH-109	PIPE	AC	Gravity	6	381	1980	44	55	11	2035
MH-109_MH-110	PIPE	AC	Gravity	6	350	1980	44	55	11	2035
MH-11_MH-10	PIPE	AC	Gravity	6	287	1980	44	55	11	2035
MH-110_MH-111	PIPE	AC	Gravity	6	306	1980	44	55	11	2035
MH-111_MH-112	PIPE	AC	Gravity	6	236	1980	44	55	11	2035
MH-112_MH-113	PIPE	AC	Gravity	6	209	1980	44	55	11	2035
MH-113_MH-117	PIPE	AC	Gravity	6	426	1980	44	55	11	2035
MH-114_MH-116	PIPE	AC	Gravity	6	287	1980	44	55	11	2035
MH-115_MH-116	PIPE	AC	Gravity	6	76	1980	44	55	11	2035
MH-116_MH-117	PIPE	AC	Gravity	6	197	1980	44	55	11	2035
MH-117_MH-118	PIPE	AC	Gravity	6	173	1980	44	55	11	2035

RMCS D PIPE INVENTORY (DRAFT)

ID	Item	Material	System	Size (in)	Length (ft)	Install Year	AGE	Est Life	Estimated Remaining Life	Replacement Year
MH-118_MH-119	PIPE	AC	Gravity	6	140	1980	44	55	11	2035
MH-119_MH-126	PIPE	AC	Gravity	6	186	1980	44	55	11	2035
MH-120_MH-121	PIPE	AC	Gravity	6	174	1980	44	55	11	2035
MH-121_MH-118	PIPE	AC	Gravity	6	277	1980	44	55	11	2035
MH-122_MH-120	PIPE	AC	Gravity	6	106	1980	44	55	11	2035
MH-123_MH-118	PIPE	AC	Gravity	6	425	1980	44	55	11	2035
MH-124_MH-123	PIPE	AC	Gravity	6	49	1980	44	55	11	2035
MH-126_MH-132	PIPE	AC	Gravity	8	342	1980	44	55	11	2035
MH-127_MH-117	PIPE	AC	Gravity	6	234	1980	44	55	11	2035
MH-128_MH-126	PIPE	AC	Gravity	6	166	1980	44	55	11	2035
MH-13_MH-14	PIPE	AC	Gravity	6	35	1980	44	55	11	2035
MH-130_MH-129	PIPE	AC	Gravity	6	94	1980	44	55	11	2035
MH-131_MH-130	PIPE	AC	Gravity	6	138	1980	44	55	11	2035
MH-132_MH-134	PIPE	AC	Gravity	8	102	1980	44	55	11	2035
MH-134_MH-741	PIPE	AC	Gravity	8	151	1980	44	55	11	2035
MH-135_MH-134	PIPE	AC	Gravity	6	26	1980	44	55	11	2035
MH-136_MH-135	PIPE	AC	Gravity	6	101	1980	44	55	11	2035
MH-137_MH-136	PIPE	AC	Gravity	6	83	1980	44	55	11	2035
MH-138_MH-137	PIPE	AC	Gravity	6	286	1980	44	55	11	2035
MH-139_MH-138	PIPE	AC	Gravity	6	37	1980	44	55	11	2035
MH-140_MH-139	PIPE	AC	Gravity	6	230	1980	44	55	11	2035
MH-141_MH-741	PIPE	AC	Gravity	6	120	1980	44	55	11	2035
MH-142_MH-141	PIPE	AC	Gravity	6	293	1980	44	55	11	2035
MH-143_MH-142	PIPE	AC	Gravity	6	81	1980	44	55	11	2035
MH-144_MH-145	PIPE	AC	Gravity	8	198	1980	44	55	11	2035
MH-145_MH-153	PIPE	AC	Gravity	8	224	1980	44	55	11	2035
MH-148_MH-150	PIPE	AC	Gravity	8	206	1980	44	55	11	2035
MH-149_MH-148	PIPE	AC	Gravity	6	178	1980	44	55	11	2035
MH-150_MH-152	PIPE	AC	Gravity	8	211	1980	44	55	11	2035
MH-151_MH-150	PIPE	AC	Gravity	6	105	1980	44	55	11	2035
MH-152_MH-156	PIPE	AC	Gravity	8	252	1980	44	55	11	2035
MH-153_MH-154	PIPE	AC	Gravity	8	299	1980	44	55	11	2035
MH-154_MH-157	PIPE	AC	Gravity	8	215	1980	44	55	11	2035
MH-155_MH-156	PIPE	AC	Gravity	6	100	1980	44	55	11	2035
MH-156_MH-159	PIPE	AC	Gravity	8	148	1980	44	55	11	2035
MH-157_MH-158	PIPE	AC	Gravity	8	85	1980	44	55	11	2035
MH-158_MH-773	PIPE	AC	Gravity	8	260	1980	44	55	11	2035
MH-159_MH-160	PIPE	AC	Gravity	8	103	1980	44	55	11	2035
MH-160_MH-773	PIPE	AC	Gravity	8	240	1980	44	55	11	2035
MH-162_MH-158	PIPE	AC	Gravity	6	238	1980	44	55	11	2035
MH-163_MH-164	PIPE	AC	Gravity	6	258	1980	44	55	11	2035
MH-164_MH-165	PIPE	AC	Gravity	6	135	1980	44	55	11	2035
MH-165_MH-169	PIPE	AC	Gravity	6	160	1980	44	55	11	2035
MH-166_MH-165	PIPE	AC	Gravity	6	227	1980	44	55	11	2035
MH-168_MH-169	PIPE	AC	Gravity	6	200	1980	44	55	11	2035
MH-169_MH-172	PIPE	AC	Gravity	6	117	1980	44	55	11	2035
MH-170_MH-171	PIPE	AC	Gravity	6	332	1980	44	55	11	2035
MH-171_MH-172	PIPE	AC	Gravity	6	121	1980	44	55	11	2035
MH-172_MH-173	PIPE	AC	Gravity	6	110	1980	44	55	11	2035
MH-173_MH-176	PIPE	AC	Gravity	6	114	1980	44	55	11	2035
MH-174_MH-175	PIPE	AC	Gravity	6	102	1980	44	55	11	2035
MH-175_MH-173	PIPE	AC	Gravity	6	236	1980	44	55	11	2035
MH-19_MH-777	PIPE	AC	Gravity	6	242	1980	44	55	11	2035
MH-191_MH-187	PIPE	AC	Gravity	6	254	1980	44	55	11	2035
MH-2_MH-1	PIPE	AC	Gravity	6	260	1980	44	55	11	2035
MH-20_MH-21	PIPE	AC	Gravity	6	215	1980	44	55	11	2035
MH-22_MH-21	PIPE	AC	Gravity	6	136	1980	44	55	11	2035
MH-226_MH-227	PIPE	AC	Gravity	6	181	1980	44	55	11	2035
MH-227_MH-228	PIPE	AC	Gravity	6	71	1980	44	55	11	2035
MH-228_MH-229	PIPE	AC	Gravity	6	402	1980	44	55	11	2035
MH-23_MH-20	PIPE	AC	Gravity	6	232	1980	44	55	11	2035
MH-233_MH-234	PIPE	AC	Gravity	6	150	1980	44	55	11	2035
MH-234_MH-236	PIPE	AC	Gravity	6	189	1980	44	55	11	2035
MH-235_MH-233	PIPE	AC	Gravity	6	419	1980	44	55	11	2035
MH-236_MH-237	PIPE	AC	Gravity	6	252	1980	44	55	11	2035
MH-237_MH-239	PIPE	AC	Gravity	6	341	1980	44	55	11	2035

RMCS D PIPE INVENTORY (DRAFT)

ID	Item	Material	System	Size (in)	Length (ft)	Install Year	AGE	Est Life	Estimated Remaining Life	Replacement Year
MH-238_MH-237	PIPE	AC	Gravity	6	194	1980	44	55	11	2035
MH-239_MH-240	PIPE	AC	Gravity	6	151	1980	44	55	11	2035
MH-240_MH-243	PIPE	AC	Gravity	6	283	1980	44	55	11	2035
MH-241_MH-240	PIPE	AC	Gravity	6	166	1980	44	55	11	2035
MH-242_MH-241	PIPE	AC	Gravity	6	205	1980	44	55	11	2035
MH-243_MH-245	PIPE	AC	Gravity	6	257	1980	44	55	11	2035
MH-246_MH-247	PIPE	AC	Gravity	6	200	1980	44	55	11	2035
MH-247_MH-245	PIPE	AC	Gravity	6	177	1980	44	55	11	2035
MH-249_MH-250	PIPE	AC	Gravity	6	354	1980	44	55	11	2035
MH-25_MH-26	PIPE	AC	Gravity	6	273	1980	44	55	11	2035
MH-26_MH-22	PIPE	AC	Gravity	6	141	1980	44	55	11	2035
MH-28_MH-29	PIPE	AC	Gravity	6	139	1980	44	55	11	2035
MH-3_MH-2	PIPE	AC	Gravity	6	171	1980	44	55	11	2035
MH-4_MH-3	PIPE	AC	Gravity	6	103	1980	44	55	11	2035
MH-5_MH-6	PIPE	AC	Gravity	6	160	1980	44	55	11	2035
MH-6_MH-8	PIPE	AC	Gravity	6	51	1980	44	55	11	2035
MH-7_MH-6	PIPE	AC	Gravity	6	230	1980	44	55	11	2035
MH-741_MH-144	PIPE	AC	Gravity	8	202	1980	44	55	11	2035
MH-777_MH-22	PIPE	AC	Gravity	6	117	1980	44	55	11	2035
MH-778_MH-120	PIPE	AC	Gravity	6	96	1980	44	55	11	2035
MH-779_MH-23	PIPE	AC	Gravity	6	79	1980	44	55	11	2035
MH-780_MH-779	PIPE	AC	Gravity	6	198	1980	44	55	11	2035
MH-781_MH-177	PIPE	AC	Gravity	6	290	1980	44	55	11	2035
MH-782_MH-781	PIPE	AC	Gravity	6	307	1980	44	55	11	2035
MH-783_MH-13	PIPE	AC	Gravity	6	82	1980	44	55	11	2035
MH-784_MH-251	PIPE	AC	Gravity	6	371	1980	44	55	11	2035
MH-82_MH-84	PIPE	AC	Gravity	6	334	1980	44	55	11	2035
MH-83_MH-85	PIPE	AC	Gravity	6	355	1980	44	55	11	2035
MH-84_MH-85	PIPE	AC	Gravity	6	137	1980	44	55	11	2035
MH-85_MH-86	PIPE	AC	Gravity	6	146	1980	44	55	11	2035
MH-9_MH-783	PIPE	AC	Gravity	6	155	1980	44	55	11	2035
GV-538_GV-553	PIPE	ACP	Treated	10	1144	1981	43	55	12	2036
Main Lift North_NODE-24	PIPE	ACP	Force	12	2705	1982	42	55	13	2037
Main lift South_Treatment Pla	PIPE	ACP	Force	12	3807	1982	42	55	13	2037
MH-664_Main Lift North	PIPE	ACP	Gravity	21	121	1982	42	55	13	2037
MH-666_MH-664	PIPE	ACP	Gravity	21	67	1982	42	55	13	2037
NODE-24_NODE-25	PIPE	ACP	Force	12	646	1982	42	55	13	2037
NODE-25_Treatment Plant	PIPE	ACP	Force	12	3480	1982	42	55	13	2037
Starter Shack_NODE-25	PIPE	ACP	Force	12	57	1982	42	55	13	2037
BO-177_RED-14	PIPE	ACP	Reclaimed	4	333	1983	41	55	14	2038
BO-178_JCT-491	PIPE	ACP	Reclaimed	8	292	1983	41	55	14	2038
BO-179_JCT-493	PIPE	ACP	Reclaimed	8	152	1983	41	55	14	2038
BO-180_JCT-492	PIPE	ACP	Reclaimed	8	251	1983	41	55	14	2038
BO-181_JCT-494	PIPE	ACP	Reclaimed	8	415	1983	41	55	14	2038
BO-221_JCT-495	PIPE	ACP	Reclaimed	8	995	1983	41	55	14	2038
INVESTIGATE-8_JCT-489	PIPE	ACP	Reclaimed	4	468	1983	41	55	14	2038
JCT-489_ARV-128	PIPE	ACP	Reclaimed	4	9	1983	41	55	14	2038
JCT-489_BO-177	PIPE	ACP	Reclaimed	4	210	1983	41	55	14	2038
JCT-490_ARV-129	PIPE	ACP	Reclaimed	4	9	1983	41	55	14	2038
JCT-490_RED-15	PIPE	ACP	Reclaimed	6	157	1983	41	55	14	2038
JCT-491_ARV-130	PIPE	ACP	Reclaimed	4	9	1983	41	55	14	2038
JCT-491_BO-179	PIPE	ACP	Reclaimed	8	577	1983	41	55	14	2038
JCT-492_ARV-131	PIPE	ACP	Reclaimed	4	9	1983	41	55	14	2038
JCT-492_BO-181	PIPE	ACP	Reclaimed	8	439	1983	41	55	14	2038
JCT-493_ARV-132	PIPE	ACP	Reclaimed	4	9	1983	41	55	14	2038
JCT-493_BO-180	PIPE	ACP	Reclaimed	8	720	1983	41	55	14	2038
JCT-494_ARV-133	PIPE	ACP	Reclaimed	4	9	1983	41	55	14	2038
JCT-494_BO-221	PIPE	ACP	Reclaimed	8	258	1983	41	55	14	2038
RED-14_JCT-490	PIPE	ACP	Reclaimed	6	725	1983	41	55	14	2038
RED-15_BO-178	PIPE	ACP	Reclaimed	8	518	1983	41	55	14	2038
CO-29_MH-122	PIPE	AC	Gravity	6	193	1983	41	55	14	2038
MH-129_MH-128	PIPE	AC	Gravity	6	144	1983	41	55	14	2038
MH-102_MH-103	PIPE	VCP	Gravity	10	382	1978	46	60	14	2038
ARV-165_JCT-865	PIPE	ACP	Treated	2	18	1985	39	55	16	2040
ARV-166_JCT-864	PIPE	ACP	Treated	2	22	1985	39	55	16	2040
ARV-167_JCT-876	PIPE	ACP	Treated	2	3	1985	39	55	16	2040

RMCS D PIPE INVENTORY (DRAFT)

ID	Item	Material	System	Size (in)	Length (ft)	Install Year	AGE	Est Life	Estimated Remaining Life	Replacement Year
ARV-168_JCT-868	PIPE	ACP	Treated	2	3	1985	39	55	16	2040
ARV-21_JCT-73	PIPE	ACP	Treated	4	9	1985	39	55	16	2040
ARV-22_JCT-75	PIPE	ACP	Treated	4	9	1985	39	55	16	2040
ARV-23_JCT-72	PIPE	ACP	Treated	4	9	1985	39	55	16	2040
ARV-24_JCT-69	PIPE	ACP	Treated	4	9	1985	39	55	16	2040
ARV-31_JCT-110	PIPE	ACP	Treated	4	9	1985	39	55	16	2040
ARV-33_JCT-119	PIPE	ACP	Treated	4	9	1985	39	55	16	2040
ARV-34_JCT-121	PIPE	ACP	Treated	4	9	1985	39	55	16	2040
BO-230_JCT-865	PIPE	ACP	Treated	4	6	1985	39	55	16	2040
BO-231_JCT-876	PIPE	ACP	Treated	6	4	1985	39	55	16	2040
BO-233_JCT-868	PIPE	ACP	Treated	6	4	1985	39	55	16	2040
BO-31_JCT-73	PIPE	ACP	Treated	6	4	1985	39	55	16	2040
BO-32_JCT-75	PIPE	ACP	Treated	4	4	1985	39	55	16	2040
BO-34_GV-79	PIPE	ACP	Treated	6	250	1985	39	55	16	2040
BO-35_JCT-69	PIPE	ACP	Treated	4	4	1985	39	55	16	2040
BO-47_JCT-113	PIPE	ACP	Treated	6	3	1985	39	55	16	2040
BO-49_GV-122	PIPE	ACP	Treated	4	154	1985	39	55	16	2040
BO-50_JCT-119	PIPE	ACP	Treated	4	3	1985	39	55	16	2040
BO-51_JCT-118	PIPE	ACP	Treated	4	62	1985	39	55	16	2040
BO-52_JCT-121	PIPE	ACP	Treated	4	3	1985	39	55	16	2040
BO-53_JCT-117	PIPE	ACP	Treated	6	108	1985	39	55	16	2040
BO-54_JCT-122	PIPE	ACP	Treated	4	4	1985	39	55	16	2040
FH-18_GV-84	PIPE	ACP	Treated	6	21	1985	39	55	16	2040
FH-19_GV-85	PIPE	ACP	Treated	6	21	1985	39	55	16	2040
FH-280_GV-1001	PIPE	ACP	Treated	6	9	1985	39	55	16	2040
FH-29_GV-119	PIPE	ACP	Treated	6	26	1985	39	55	16	2040
FH-30_GV-128	PIPE	ACP	Treated	6	7	1985	39	55	16	2040
GV-1000_JCT-866	PIPE	ACP	Treated	6	2	1985	39	55	16	2040
GV-1003_JCT-868	PIPE	ACP	Treated	6	302	1985	39	55	16	2040
GV-1004_BO-232	PIPE	ACP	Treated	6	236	1985	39	55	16	2040
GV-117_JCT-110	PIPE	ACP	Treated	8	197	1985	39	55	16	2040
GV-118_BO-48	PIPE	ACP	Treated	6	96	1985	39	55	16	2040
GV-119_JCT-111	PIPE	ACP	Treated	6	2	1985	39	55	16	2040
GV-120_GV-121	PIPE	ACP	Treated	8	142	1985	39	55	16	2040
GV-120_JCT-112	PIPE	ACP	Treated	8	2	1985	39	55	16	2040
GV-122_JCT-114	PIPE	ACP	Treated	4	3	1985	39	55	16	2040
GV-123_JCT-116	PIPE	ACP	Treated	6	24	1985	39	55	16	2040
GV-124_JCT-117	PIPE	ACP	Treated	4	3	1985	39	55	16	2040
GV-125_JCT-116	PIPE	ACP	Treated	4	3	1985	39	55	16	2040
GV-126_RED-25	PIPE	ACP	Treated	6	7	1985	39	55	16	2040
GV-127_JCT-120	PIPE	ACP	Treated	4	3	1985	39	55	16	2040
GV-128_JCT-115	PIPE	ACP	Treated	6	4	1985	39	55	16	2040
GV-71_GV-72	PIPE	ACP	Treated	8	449	1985	39	55	16	2040
GV-72_JCT-67	PIPE	ACP	Treated	8	3	1985	39	55	16	2040
GV-73_JCT-67	PIPE	ACP	Treated	6	3	1985	39	55	16	2040
GV-74_JCT-70	PIPE	ACP	Treated	8	3	1985	39	55	16	2040
GV-74_JCT-71	PIPE	ACP	Treated	8	24	1985	39	55	16	2040
GV-75_JCT-70	PIPE	ACP	Treated	4	3	1985	39	55	16	2040
GV-76_JCT-76	PIPE	ACP	Treated	8	154	1985	39	55	16	2040
GV-78_GV-81	PIPE	ACP	Treated	6	222	1985	39	55	16	2040
GV-78_JCT-77	PIPE	ACP	Treated	6	3	1985	39	55	16	2040
GV-79_JCT-77	PIPE	ACP	Treated	6	3	1985	39	55	16	2040
GV-80_JCT-74	PIPE	ACP	Treated	4	3	1985	39	55	16	2040
GV-80_JCT-75	PIPE	ACP	Treated	4	240	1985	39	55	16	2040
GV-81_JCT-74	PIPE	ACP	Treated	6	3	1985	39	55	16	2040
GV-84_JCT-68	PIPE	ACP	Treated	6	2	1985	39	55	16	2040
GV-85_JCT-76	PIPE	ACP	Treated	6	2	1985	39	55	16	2040
GV-999_JCT-867	PIPE	ACP	Treated	6	39	1985	39	55	16	2040
JCT-109_GV-117	PIPE	ACP	Treated	8	7	1985	39	55	16	2040
JCT-110_JCT-111	PIPE	ACP	Treated	8	77	1985	39	55	16	2040
JCT-111_JCT-112	PIPE	ACP	Treated	8	48	1985	39	55	16	2040
JCT-112_GV-118	PIPE	ACP	Treated	8	17	1985	39	55	16	2040
JCT-113_ARV-32	PIPE	ACP	Treated	4	9	1985	39	55	16	2040
JCT-113_BO-48	PIPE	ACP	Treated	6	176	1985	39	55	16	2040
JCT-114_GV-121	PIPE	ACP	Treated	8	3	1985	39	55	16	2040
JCT-115_JCT-114	PIPE	ACP	Treated	8	209	1985	39	55	16	2040

RMCS D PIPE INVENTORY (DRAFT)

ID	Item	Material	System	Size (in)	Length (ft)	Install Year	AGE	Est Life	Estimated Remaining Life	Replacement Year
JCT-116_GV-126	PIPE	ACP	Treated	6	3	1985	39	55	16	2040
JCT-117_GV-123	PIPE	ACP	Treated	6	3	1985	39	55	16	2040
JCT-118_GV-124	PIPE	ACP	Treated	4	51	1985	39	55	16	2040
JCT-119_JCT-118	PIPE	ACP	Treated	4	49	1985	39	55	16	2040
JCT-120_BO-53	PIPE	ACP	Treated	6	26	1985	39	55	16	2040
JCT-121_GV-127	PIPE	ACP	Treated	4	175	1985	39	55	16	2040
JCT-122_ARV-35	PIPE	ACP	Treated	4	9	1985	39	55	16	2040
JCT-122_JCT-120	PIPE	ACP	Treated	4	62	1985	39	55	16	2040
JCT-66_GV-71	PIPE	ACP	Treated	8	3	1985	39	55	16	2040
JCT-68_JCT-67	PIPE	ACP	Treated	8	15	1985	39	55	16	2040
JCT-68_JCT-70	PIPE	ACP	Treated	8	115	1985	39	55	16	2040
JCT-69_GV-75	PIPE	ACP	Treated	4	127	1985	39	55	16	2040
JCT-71_GV-76	PIPE	ACP	Treated	8	3	1985	39	55	16	2040
JCT-71_GV-77	PIPE	ACP	Treated	8	3	1985	39	55	16	2040
JCT-72_BO-33	PIPE	ACP	Treated	6	4	1985	39	55	16	2040
JCT-72_GV-73	PIPE	ACP	Treated	6	451	1985	39	55	16	2040
JCT-74_JCT-73	PIPE	ACP	Treated	6	162	1985	39	55	16	2040
JCT-77_JCT-76	PIPE	ACP	Treated	8	26	1985	39	55	16	2040
JCT-863_GV-125	PIPE	ACP	Treated	4	111	1985	39	55	16	2040
JCT-863_JCT-864	PIPE	ACP	Treated	4	68	1985	39	55	16	2040
JCT-864_BO-229	PIPE	ACP	Treated	4	5	1985	39	55	16	2040
JCT-865_JCT-863	PIPE	ACP	Treated	4	68	1985	39	55	16	2040
JCT-866_GV-1002	PIPE	ACP	Treated	8	117	1985	39	55	16	2040
JCT-866_GV-999	PIPE	ACP	Treated	6	2	1985	39	55	16	2040
JCT-867_GV-1001	PIPE	ACP	Treated	6	2	1985	39	55	16	2040
JCT-867_JCT-869	PIPE	ACP	Treated	6	94	1985	39	55	16	2040
JCT-869_GV-1003	PIPE	ACP	Treated	6	2	1985	39	55	16	2040
JCT-869_GV-1004	PIPE	ACP	Treated	6	2	1985	39	55	16	2040
JCT-876_GV-1000	PIPE	ACP	Treated	6	467	1985	39	55	16	2040
RED-25_JCT-115	PIPE	ACP	Treated	8	5	1985	39	55	16	2040
MH-697_MH-698	PIPE	AC	Gravity	6	131	1985	39	55	16	2040
MH-698_MH-692	PIPE	AC	Gravity	6	377	1985	39	55	16	2040
ARV-67_JCT-238	PIPE	ACP	Treated	4	9	1986	38	55	17	2041
BO-92_GV-234	PIPE	ACP	Treated	10	34	1986	38	55	17	2041
FH-64_GV-232	PIPE	ACP	Treated	6	7	1986	38	55	17	2041
FH-65_GV-235	PIPE	ACP	Treated	6	14	1986	38	55	17	2041

RMCS D PIPE INVENTORY (DRAFT)

ID	Item	Material	System	Size (in)	Length (ft)	Install Year	AGE	Est Life	Estimated Remaining Life	Replacement Year
GV-232_JCT-756	PIPE	ACP	Treated	6	4	1986	38	55	17	2041
GV-233_JCT-239	PIPE	ACP	Treated	8	5	1986	38	55	17	2041
GV-233_JCT-241	PIPE	ACP	Treated	8	374	1986	38	55	17	2041
GV-235_JCT-240	PIPE	ACP	Treated	6	4	1986	38	55	17	2041
JCT-238_JCT-756	PIPE	ACP	Treated	10	506	1986	38	55	17	2041
JCT-239_GV-234	PIPE	ACP	Treated	10	5	1986	38	55	17	2041
JCT-240_BO-93	PIPE	ACP	Treated	8	160	1986	38	55	17	2041
JCT-241_ARV-68	PIPE	ACP	Treated	4	21	1986	38	55	17	2041
JCT-241_JCT-240	PIPE	ACP	Treated	8	96	1986	38	55	17	2041
JCT-756_JCT-239	PIPE	ACP	Treated	10	57	1986	38	55	17	2041
3B_MH-94	PIPE	AC	Force	4	356	1986	38	55	17	2041
MH-668_MH-669	PIPE	AC	Gravity	6	190	1986	38	55	17	2041
MH-669_3B	PIPE	AC	Gravity	6	39	1986	38	55	17	2041
MH-94_MH-93	PIPE	AC	Gravity	6	186	1986	38	55	17	2041
MH-95_MH-669	PIPE	AC	Gravity	6	167	1986	38	55	17	2041
MH-96_MH-95	PIPE	AC	Gravity	6	237	1986	38	55	17	2041
MH-97_MH-96	PIPE	AC	Gravity	6	244	1986	38	55	17	2041
FH-291_GV-1020	PIPE	ACP	Treated	6	9	1987	37	55	18	2042
FH-292_GV-1021	PIPE	ACP	Treated	6	10	1987	37	55	18	2042
FH-293_GV-1022	PIPE	ACP	Treated	6	28	1987	37	55	18	2042
GV-1022_JCT-886	PIPE	ACP	Treated	6	4	1987	37	55	18	2042
GV-478_JCT-480	PIPE	ACP	Treated	14	4	1987	37	55	18	2042
JCT-480_GV-479	PIPE	ACP	Treated	8	4	1987	37	55	18	2042
JCT-481_ARV-126	PIPE	ACP	Treated	4	9	1987	37	55	18	2042
JCT-884_GV-1020	PIPE	ACP	Treated	6	3	1987	37	55	18	2042
JCT-884_JCT-481	PIPE	ACP	Treated	14	400	1987	37	55	18	2042
JCT-885_GV-1021	PIPE	ACP	Treated	6	3	1987	37	55	18	2042
GV-501_JCT-760	PIPE	DIP	Treated	12	5	1982	42	60	18	2042
GV-503_JCT-516	PIPE	DIP	Treated	8	1719	1982	42	60	18	2042
GV-503_JCT-760	PIPE	DIP	Treated	8	5	1982	42	60	18	2042
INVESTIGATE-4_INVESTIGATE-	PIPE	DIP	Treated	8	283	1982	42	60	18	2042
JCT-516_ARV-136	PIPE	DIP	Treated	4	9	1982	42	60	18	2042
JCT-516_JCT-518	PIPE	DIP	Treated	8	1189	1982	42	60	18	2042
FH-152_GV-540	PIPE	ACP	Treated	6	8	1988	36	55	19	2043
GV-527_JCT-532	PIPE	ACP	Treated	10	3	1988	36	55	19	2043
GV-528_JCT-533	PIPE	ACP	Treated	8	84	1988	36	55	19	2043
GV-531_FH-160	PIPE	ACP	Treated	6	10	1988	36	55	19	2043
GV-537_JCT-537	PIPE	ACP	Treated	8	58	1988	36	55	19	2043
GV-537_JCT-538	PIPE	ACP	Treated	8	4	1988	36	55	19	2043
GV-540_JCT-541	PIPE	ACP	Treated	6	2	1988	36	55	19	2043
GV-542_JCT-542	PIPE	ACP	Treated	6	48	1988	36	55	19	2043
GV-543_FH-153	PIPE	ACP	Treated	6	47	1988	36	55	19	2043
GV-544_JCT-544	PIPE	ACP	Treated	10	200	1988	36	55	19	2043
GV-545_JCT-546	PIPE	ACP	Treated	6	8	1988	36	55	19	2043
GV-546_JCT-545	PIPE	ACP	Treated	10	2	1988	36	55	19	2043
GV-547_GV-856	PIPE	ACP	Treated	10	265	1988	36	55	19	2043
GV-552_JCT-553	PIPE	ACP	Treated	6	17	1988	36	55	19	2043
GV-557_GV-904	PIPE	ACP	Treated	6	205	1988	36	55	19	2043
GV-856_JCT-553	PIPE	ACP	Treated	10	112	1988	36	55	19	2043
GV-897_INVESTIGATE-3	PIPE	ACP	Treated	10	32	1988	36	55	19	2043
GV-897_JCT-552	PIPE	ACP	Treated	10	2	1988	36	55	19	2043
GV-899_GV-900	PIPE	ACP	Treated	10	270	1988	36	55	19	2043
GV-900_JCT-795	PIPE	ACP	Treated	10	4	1988	36	55	19	2043
GV-901_FH-264	PIPE	ACP	Treated	6	91	1988	36	55	19	2043
GV-903_FH-265	PIPE	ACP	Treated	6	40	1988	36	55	19	2043
JCT-532_GV-528	PIPE	ACP	Treated	8	4	1988	36	55	19	2043
JCT-532_GV-529	PIPE	ACP	Treated	10	4	1988	36	55	19	2043
JCT-533_GV-530	PIPE	ACP	Treated	6	2	1988	36	55	19	2043
JCT-533_JCT-534	PIPE	ACP	Treated	8	156	1988	36	55	19	2043
JCT-534_GV-531	PIPE	ACP	Treated	6	1	1988	36	55	19	2043
JCT-536_JCT-534	PIPE	ACP	Treated	8	130	1988	36	55	19	2043
JCT-537_GV-865	PIPE	ACP	Treated	6	22	1988	36	55	19	2043
JCT-537_JCT-536	PIPE	ACP	Treated	8	126	1988	36	55	19	2043
JCT-538_GV-538	PIPE	ACP	Treated	10	2	1988	36	55	19	2043
JCT-541_GV-529	PIPE	ACP	Treated	10	45	1988	36	55	19	2043
JCT-542_JCT-541	PIPE	ACP	Treated	10	253	1988	36	55	19	2043

RMCS D PIPE INVENTORY (DRAFT)

ID	Item	Material	System	Size (in)	Length (ft)	Install Year	AGE	Est Life	Estimated Remaining Life	Replacement Year
JCT-543_GV-541	PIPE	ACP	Treated	6	48	1988	36	55	19	2043
JCT-543_JCT-542	PIPE	ACP	Treated	10	1	1988	36	55	19	2043
JCT-544_GV-543	PIPE	ACP	Treated	6	1	1988	36	55	19	2043
JCT-544_JCT-543	PIPE	ACP	Treated	10	36	1988	36	55	19	2043
JCT-545_GV-547	PIPE	ACP	Treated	10	1	1988	36	55	19	2043
JCT-545_JCT-546	PIPE	ACP	Treated	10	8	1988	36	55	19	2043
JCT-546_GV-544	PIPE	ACP	Treated	10	3	1988	36	55	19	2043
JCT-552_GV-898	PIPE	ACP	Treated	10	5	1988	36	55	19	2043
JCT-552_GV-899	PIPE	ACP	Treated	10	2	1988	36	55	19	2043
JCT-553_GV-898	PIPE	ACP	Treated	10	322	1988	36	55	19	2043
JCT-554_GV-546	PIPE	ACP	Treated	10	502	1988	36	55	19	2043
JCT-557_GV-557	PIPE	ACP	Treated	6	4	1988	36	55	19	2043
JCT-795_GV-901	PIPE	ACP	Treated	6	4	1988	36	55	19	2043
JCT-795_JCT-796	PIPE	ACP	Treated	10	144	1988	36	55	19	2043
JCT-796_GV-902	PIPE	ACP	Treated	6	4	1988	36	55	19	2043
JCT-796_JCT-797	PIPE	ACP	Treated	10	16	1988	36	55	19	2043
JCT-797_GV-903	PIPE	ACP	Treated	6	4	1988	36	55	19	2043
JCT-797_JCT-549	PIPE	ACP	Treated	10	118	1988	36	55	19	2043

RMCS D VERTICAL INVENTORY (DRAFT)

System	Site	Item	Installation/ Rehabilitation Year	Rough Estimated Replacement Cost (Present Value)	Est Life	Est Remaining Life	Replacement Yr
Raw Water	Granlees Pump Station	Motor	1981	\$ 35,900.00	30	-13	2024
Raw Water	Granlees Pump Station	Large Motor #1	1980	\$ 35,900.00	30	-14	2024
Raw Water	Granlees Pump Station	Large Motor #2	1980	\$ 35,900.00	30	-14	2024
Raw Water	Granlees Pump Station	Large Motor #3	1980	\$ 35,900.00	30	-14	2024
Raw Water	Granlees Pump Station	Main Pump #1	1983	\$ 135,000.00	23	-18	2024
Raw Water	Granlees Pump Station	Main Pump #2	1983	\$ 135,000.00	23	-18	2024
Raw Water	Granlees Pump Station	Main Motor #1	1983	\$ 22,000.00	30	-11	2024
Raw Water	Granlees Pump Station	Main Motor #2	1983	\$ 22,000.00	30	-11	2024
Raw Water	Granlees Pump Station	Control Panel	1983	\$ 250,000.00	29	-12	2024
Raw Water	Michigan Bar Subdrain Pump Station	Control Panel	1985	\$ 200,000.00	29	-10	2024
Raw Water	Calero Siphon Pump Station	Control Panel	1983	\$ 200,000.00	29	-12	2024
Raw Water	Calero Siphon Pump Station	Pump #1	1983	\$ 29,000.00	23	-18	2024
Raw Water	Calero Siphon Pump Station	Pump #2	1983	\$ 29,000.00	23	-18	2024
Raw Water	Calero Siphon Pump Station	Motor #1	1983	\$ 7,040.00	30	-11	2024
Raw Water	Calero Siphon Pump Station	Motor #2	1983	\$ 7,040.00	30	-11	2024
Wastewater	Main North Lift Station	Generator	1990	\$ 52,000.00	23	-11	2024
Wastewater and Storm Drain	Main South Lift Station	Generator	1989	\$ 52,000.00	23	-12	2024
Wastewater and Storm Drain	Main South Lift Station	Control Panel	1989	\$ 300,000.00	29	-6	2024
Wastewater	Cantova Lift Station	Generator	1960	\$ 52,000.00	23	-41	2024
Wastewater	Cantova Lift Station	Control Panel	1987	\$ 200,000.00	29	-8	2024
Wastewater	FAA Lift Station	Sewer Pumps (2)	1988	\$ 28,000.00	23	-13	2024
Wastewater	FAA Lift Station	Storm Pumps (3)	1988	\$ 58,000.00	23	-13	2024
Wastewater	FAA Lift Station	Storm Motor #1	1988	\$ 5,280.00	30	-6	2024
Wastewater	FAA Lift Station	Storm Motor #2	1988	\$ 5,280.00	30	-6	2024
Wastewater	FAA Lift Station	Storm Motor #3	1988	\$ 5,280.00	30	-6	2024
Wastewater	FAA Lift Station	Control Panel	1988	\$ 250,000.00	29	-7	2024
Wastewater	Alameda Lift Station	Control Panel	1972	\$ 200,000.00	29	-23	2024
Wastewater	Alameda Lift Station	Pumps	1972	\$ 10,000.00	23	-29	2024
Wastewater	Alameda Lift Station	SITE REHAB	1972	\$ 7,500	50	-2	2024
Wastewater	Alameda Lift Station	Motor	1972	\$ 35,900.00	30	-22	2024
Wastewater	Starter Shack Lift Station	Control Panel	1979	\$ 200,000.00	29	-16	2024
Wastewater	Starter Shack Lift Station	Motor	1979	\$ 35,900.00	30	-15	2024
Wastewater	Crest Lift Station	Generator	1998	\$ 52,000.00	23	-3	2024
Wastewater	Greens Lift Station	Generator	2001	\$ 52,000.00	23	0	2024
Wastewater	Greens Lift Station	Pumps (2)	2001	\$ 18,400.00	23	0	2024
Wastewater	Wastewater Treatment Plant	Sand Filters	1982	Pend.	13	-29	2024
Wastewater	Wastewater Treatment Plant	Generators	1982	Pend.	23	-19	2024

RMCS D VERTICAL INVENTORY (DRAFT)

System	Site	Item	Installation/ Rehabilitation Year	Rough Estimated Replacement Cost (Present Value)	Est Life	Est Remaining Life	Replacement Yr
Wastewater	Wastewater Treatment Plant	East DAF Control Panel	1982	Pend.	29	-13	2024
Wastewater	Wastewater Treatment Plant	Tertiary Control Panel	1983	Pend.	29	-12	2024
Wastewater	Wastewater Treatment Plant	Reclaimed Pumping System	1983	Pend.	23	-18	2024
Wastewater	Wastewater Treatment Plant	Chemical Tanks	1983	Pend.	22	-19	2024
Wastewater	Wastewater Treatment Plant	East DAF Filters and Valves	1993	Pend.	21	-10	2024
Wastewater	Wastewater Treatment Plant	West DAF Filters and Valves	1982	Pend.	21	-21	2024
Wastewater	Crest Lift Station	Pumps	2002	\$ 35,000.00	23	1	2025
Vehicle	F150 2002		2002	\$ 43,880.00	23	1	2025
Wastewater	Starter Shack Lift Station	SITE REHAB	1979	\$ 82,080	50	5	2029
Wastewater	Greens Lift Station	Control Panel	2001	\$ 250,000.00	29	6	2030
Vehicle	F150 2003		2003	\$ 43,880.00	27	6	2030
Wastewater	Crest Lift Station	Control Panel	2002	\$ 250,000.00	29	7	2031
Wastewater	Greens Lift Station	Motor	2001	\$ 7,040.00	30	7	2031
Wastewater	Wastewater Treatment Plant	SITE REHAB	1982	\$ 794,534	50	8	2032
Wastewater	Crest Lift Station	Motor	2002	\$ 7,040.00	30	8	2032
Raw Water	Granlees Pump Station	SITE REHAB	1983	\$ 217,852	50	9	2033
Raw Water	Calero Siphon Pump Station	SITE REHAB	1983	\$ 20,000	50	9	2033
Raw Water	Granlees Pump Station	Large Pump #1	1981	\$ 192,456.00	53	10	2034
Raw Water	Granlees Pump Station	Large Pump #2	1981	\$ 192,456.00	53	10	2034
Raw Water	Granlees Pump Station	Large Pump #3	1981	\$ 192,456.00	53	10	2034
Wastewater	Wastewater Treatment Plant	HVAC Condensers	2015	Pend.	20	11	2035
Raw Water	Michigan Bar Subdrain Pump Station	SITE REHAB	1985	\$ 44,485	50	11	2035
Vehicle	F350 2007		2007	\$ 54,110.00	28	11	2035
Wastewater	Cantova Lift Station	SITE REHAB	1987	\$ 62,418	50	13	2037
Wastewater	6B Lift Station	Generator	2014	\$ 52,000.00	23	13	2037
Raw Water	Chesbro Subdrain Pump Station	Control Panel	2009	\$ 200,000.00	29	14	2038
Wastewater	Main North Lift Station	Control Panel	2009	\$ 250,000.00	29	14	2038
Wastewater	FAA Lift Station	SITE REHAB	1988	\$ 45,943	50	14	2038
Raw Water	Calero Subdrain Pump Stations - M1	Subdrain Pump #1	2015	\$ 10,000.00	23	14	2038
Raw Water	Calero Subdrain Pump Stations - M1	Subdrain Pump #2	2015	\$ 10,000.00	23	14	2038
Raw Water	Calero Subdrain Pump Stations - M3	Subdrain Pump #1	2015	\$ 10,000.00	23	14	2038
Raw Water	Calero Subdrain Pump Stations - M3	Subdrain Pump #2	2015	\$ 10,000.00	23	14	2038
Wastewater	Wastewater Treatment Plant	Pumps to Bass Lake	2015	Pend.	23	14	2038
Wastewater	Wastewater Treatment Plant	Air Compressors	2018	Pend.	21	15	2039
Wastewater and Storm Drain	Main South Lift Station	SITE REHAB	1989	\$ 297,884	50	15	2039
Wastewater	Wastewater Treatment Plant	Chemical System Pumps	2016	Pend.	23	15	2039
Raw Water	Water Treatment Plant Building	BUILDING	1978	\$ 8,226,500.00	61	15	2039
Vehicle	F150 2019		2019	\$ 43,880.00	20	15	2039
Vehicle	F350 2018		2018	\$ 54,110.00	21	15	2039
Wastewater	Main North Lift Station	SITE REHAB	1990	\$ 165,400	50	16	2040
Raw Water	Calero Subdrain Pump Stations - M2	Subdrain Pump #1	2017	\$ 10,000.00	23	16	2040

RMCS D VERTICAL INVENTORY (DRAFT)

System	Site	Item	Installation/ Rehabilitation Year	Rough Estimated Replacement Cost (Present Value)	Est Life	Est Remaining Life	Replacement Yr
Raw Water	Calero Subdrain Pump Stations - M2	Subdrain Pump #2	2017	\$ 10,000.00	23	16	2040
Wastewater	Cantova Lift Station	Pumps (2)	2017	\$ 35,000.00	23	16	2040
Vehicle	F250 2021		2021	\$ 52,100.00	19	16	2040
Vehicle	Ranger 2010		2010	\$ 40,480.00	30	16	2040
Raw Water	Chesbro Subdrain Pump Station	Pumps	2018	\$ 10,000.00	23	17	2041
Vehicle	Ranger 2011		2011	\$ 40,480.00	30	17	2041
Wastewater	Main North Lift Station	Pumps (2)	2019	\$ 20,000.00	23	18	2042
Wastewater and Storm Drain	Main South Lift Station	Storm Drain Pumps (5)	2019	\$ 50,000.00	23	18	2042
Wastewater and Storm Drain	Main South Lift Station	PUMP	2019	\$ 10,000.00	23	18	2042
Wastewater	Main South Storm Discharge	Pump	2019	\$ 14,626.00	23	18	2042
Wastewater	Starter Shack Lift Station	Pump	2019	\$ 10,000.00	23	18	2042
Vehicle	F150 2020		2020	\$ 43,880.00	22	18	2042
Wastewater	6B Lift Station	Pumps (2)	2020	\$ 14,000.00	23	19	2043
Wastewater	Wastewater Treatment Plant Building	BUILDING	1982	\$ 875,000.00	61	19	2043



El Dorado Hills

3840 El Dorado Hills Blvd., Suite 301
El Dorado Hills, California 95762
916.980.8228

May 3, 2024

Travis Bohannon
Rancho Murieta Community Services District
P.O. Box 1050
Rancho Murieta, CA 95683

**Subject: Rancho Murieta Community Services District
Dam Inspection Report Evaluation to support the 2024 Capital
Improvement Planning Efforts**

Dear Travis,

Per the District's recent request, Lumos & Associates has completed a preliminary review of the 2024 inspection reports from the California Division of Safety of Dams for the dams within the jurisdiction of RMCS D (Granlees, Chesbro, Calero, Clementia, Michigan Bar No. 1, and Michigan Bar No. 2). Based on the information provided in these reports, Lumos has developed a list of annual maintenance activities and future rehabilitation projects that the District may consider implementing to address the items and deficiencies noted in the inspection reports.

This list is not intended to be an exhaustive list of all necessary improvements to the dams, however it provides our recommendations based upon the limited information available from the 2024 inspection reports from the Division of Safety of Dams, provided in Attachment A. It is entirely possible that future Dam Safety inspections and additional necessary background information could require additional repairs or rehabilitations not mentioned in this list.

Yearly:

- Granlees Dam
 - Continue removal of vegetation
- Chesbro Dam
 - Continue removal of vegetation
 - Continue rodent abatement efforts
- Calero Dam
 - Remove the sporadic woody vegetation and small trees as part of their regular maintenance activities.
 - Continue with rodent abatement efforts and collapse and backfill burrows with compacted material when encountered.
- Clementia Dam
 - Continue removing sporadic woody vegetation from the dam faces and crest as needed.
 - Continue with rodent abatement efforts and collapse and backfill burrows with compacted material when encountered.
- Michigan Bar No. 1 Dam

- Sporadic oak trees and berry vine growth remain on the dam, and need to be removed as part of the regular maintenance activities.
- Continue with rodent abatement efforts and collapse and backfill burrows with compacted material when encountered.
- Michigan Bar No. 2 Dam
 - Continue removing sporadic woody vegetation from the dam faces and crest as needed.
 - Continue with rodent abatement efforts and collapse and backfill burrows with compacted material when encountered.

2024-2028:

- Granlees Dam
 - Vegetation at the downstream left groin of the South Dam needs to be removed
 - Schedule inspection for July/August 2024 to observe dam crests while not spilling. Dam to be inspected for seepage at this time.
- Chesbro Dam
 - Clear the fallen limbs from the oak tree on the downstream left groin of the North Dam.
 - Remove the berry vine growth from the upstream face of the Middle Dam.
- Calero Dam
 - RMCS D needs to investigate the sudden drop in measured seepage flow at Sump M1 to determine if the system is functioning properly.
 - Establish an access agreement with adjacent property owner to maintain the outfall channels for Sumps M1 and M2
 - The fallen oak tree needs to be removed and RMCS D needs to remove the sporadic woody vegetation and small trees as part of their regular maintenance activities.
 - Shallow low spots with ponded water were present on the crest during this inspection but did not constitute a dam safety issue.
 - RMCS D to mark the East Dam outfall with a T-post or something similar for easy identification during inspections.

2029-2033:

- Michigan Bar No. 1 Dam
 - Repair cracked joint on spillway of Reservoir No. 1. Crack does not pose a dam safety risk at this time since dam only approved to impound water to an elevation that is 0.59 ft below spillway crest.

2034-2038:

- Granlees Dam
 - Full rehabilitation of dam (Existing concrete spalling on North Dam and longstanding transverse crack near the left abutment of the South Dam. Age of dam and state of concrete may call for full rehabilitation, especially if seepage through dam is present.)
 - If seepage is present during July/August 2024 inspection, recommended to do full rehabilitation within 2024-2028. If seepage is not present, recommended to save for full rehabilitation within 10-15 years.

2039-2044:

- General note:
 - After rehabilitation of Granlees Dam, RMCS D should start saving for a full rehabilitation of their high hazard dams (Calero and Chesbro), due to the age of those embankments and the possible ramifications of a catastrophic failure.

Lumos & Associates is currently in the process of developing Class 5 estimates for the projects highlighted above for inclusion in the upcoming Capital Improvement Plan. Other recommended investigations that can be performed to determine the state of structures include the following:

- In-situ geotechnical testing (establish relative compaction of material in-situ, establish phreatic line, depth to bedrock)
- Multi-beam bathymetric survey to determine storage capacity and if it's been reduced due to sediment build up. If it has, will determine which reservoirs need dredging.

If you have any questions, please do not hesitate to contact myself or Chelsea Cluff, P.E. at 916.980.8228.

Sincerely,



Cami Jackson, P.E.
Project Manager

CC: Michael Fritschi, RMCS D
Chelsea Cluff, P.E., Senior Engineer

Attachment A: 2024 Inspection Reports from the Division of Safety of Dams

Attachment A: 2024 Inspection Reports from the Division of Safety of Dams

STATE OF CALIFORNIA
CALIFORNIA NATURAL RESOURCES AGENCY
DEPARTMENT OF WATER RESOURCES
DIVISION OF SAFETY OF DAMS

INSPECTION OF DAM AND RESERVOIR IN CERTIFIED STATUS

Name of Dam Chesbro Dam No. 1450-2 County Sacramento
Type of Dam Earth Type of Spillway Concrete pipe
Water is ~3 feet below spillway crest and ~8.1 feet below dam crest.

Weather Conditions Clear and warm

Contacts Made Ed McMurray, Mike Foeldi, Ryan Wenker, and Travis Bohannon with Rancho Murrieta Community Services District (RMCS D)
Reason for Inspection Maintenance inspection

Important Observations, Recommendations or Actions Taken

The maintenance items listed in the last inspection report had been satisfactorily completed. The following items were identified during this inspection and need to be completed as part of the regular maintenance activities:

- Clear the fallen limbs from the oak tree on the downstream left groin of the North Dam.
- Remove the berry vine growth from the upstream face of the Middle Dam.

Instrumentation

As requested, the latest instrumentation report included:

- long-term data plots for all historical survey movement,
- short-term and long-term data plots for seepage, and reservoir data,
- plan view maps of the dam showing the instrumentation locations.

Conclusions

From the known information and visual inspection, the dam, reservoir, and the appurtenances are judged safe for continued use.

Observations and Comments

<u>Dam</u>	<p>The reservoir has three embankments, the North Dam, Middle Dam, and South Dam. I walked the crests, downstream groins, and toes of each dam. The visible portions of the upstream and downstream faces were uniform and showed no signs of instability or distress (Photos 1-5).</p> <p>Vegetation control on the dams was generally satisfactory. As requested, the mature tree located near the toe of the North Dam had been pruned up. The young trees and woody vegetation on the downstream face and toe of the Middle Dam noted during the last inspection had also been removed. During this inspection, it was noted that large limbs had fallen from the oak tree located in the left downstream groin of the North Dam that need to be removed (Photo 6). Berry vine growth was observed on the upstream face of the Middle Dam that needs to be removed (Photo 1). No major rodent activity was observed, but RMCS D needs to continue with their abatement efforts and collapse and backfill burrows with compacted material when encountered.</p>
<u>Spillway</u>	<p>The spillway approach, control section, and concrete pipe were clear and unobstructed. As requested, the bush in the approach channel had been removed (Photo 7). There were no stoplogs in the spillway structure in accordance with the Certificate of Approval which requires the stoplogs be removed between October 1 and April 15 of each year, both dates inclusive.</p>

Photos taken? Yes No
cc for Owner/Book

Inspected by T.W. Banks TB 2/23/2024
Date of Inspection 1/25/2024 TJ 2/23/2024
Date of Report 2/15/2024

INSPECTION OF DAM AND RESERVOIR IN CERTIFIED STATUSName of Dam Chesbro Dam No. 1450-2Date of Inspection 1/25/2024**Observations and Comments**

<u>Outlet</u>	The low-level outlet is controlled by an upstream slide gate and a downstream butterfly valve. The California Water Code section 6102.5(c) requires that the upstream and downstream controls be fully cycled by the owner annually, and in the presence of DSOD every three years. Both controls were fully exercised during this inspection without issue. They are due to be cycled in the presence of DSOD again during the 2026-2027 inspection cycle.
<u>Seepage</u>	<p>The dam embankments were damp due to recent precipitation, but no other signs of seepage (i.e. live flow, overly saturated ground, abnormally green vegetation) were observed on the downstream faces, groins or toes of the dams.</p> <p>Each dam was constructed with a chimney and blanket drain system. At the North Dam, this collected seepage daylights at a manhole drain at the toe. Standing water was present at the outfall but there was no live flow.</p> <p>Seepage at the Middle Dam is collected in a sump and the sump pump is metered. Sump readings are recorded monthly and submitted with the annual instrumentation submittals.</p> <p>Seepage at the South Dam is collected at three manhole drains along the toe. Each manhole drain was observed to be dry.</p> <p>These seepage observations are consistent with past inspections at similar reservoir levels.</p>
<u>Instr.</u>	<p>Instrumentation at the dam consists of one seepage sump pump and six survey monuments. Four manhole drains located at the North Dam and South Dam are monitored visually for flow but are not measured. The latest instrumentation submittal was received under cover letter dated March 23, 2023, and covers data through the 2022 calendar year.</p> <p><u>Seepage:</u> There is one sump pump located at the toe of the Middle Dam. Sump readings are recorded monthly. Data is provided from 2004 through 2022. Seepage measured at the sump generally follows changes in the reservoir level, with a historical max at the Middle Dam sump around 575,000 gallons per month (~13.3 GPM). This behavior continued in 2022 and the Middle Dam sump remained within its historical range, with an annual max around 175,000 gallons per month (~4.1 GPM).</p> <p><u>Survey:</u> There are six survey monuments, three on the crest of the North and three on the crest of the Middle Dam. The monuments are surveyed every five years for vertical and horizontal displacements. The latest survey was conducted in April 2020. The data from the latest survey was reviewed in the inspection report dated April 15, 2022, with no unusual trends noted. The next survey is due to be performed in 2025.</p> <p><u>Conclusion:</u> The instrumentation data indicate the dam is performing satisfactorily, and no additional instrumentation is deemed necessary at this time.</p>

INSPECTION OF DAM AND RESERVOIR IN CERTIFIED STATUS

Name of Dam Chesbro Dam No. 1450-2

Date of Inspection 1/25/2024



Photo 1: View of the upstream face of the Middle Dam (near) and South Dam (far) from the left side of the Middle Dam looking towards the right. The berry vine growth in the red circle needs to be removed.

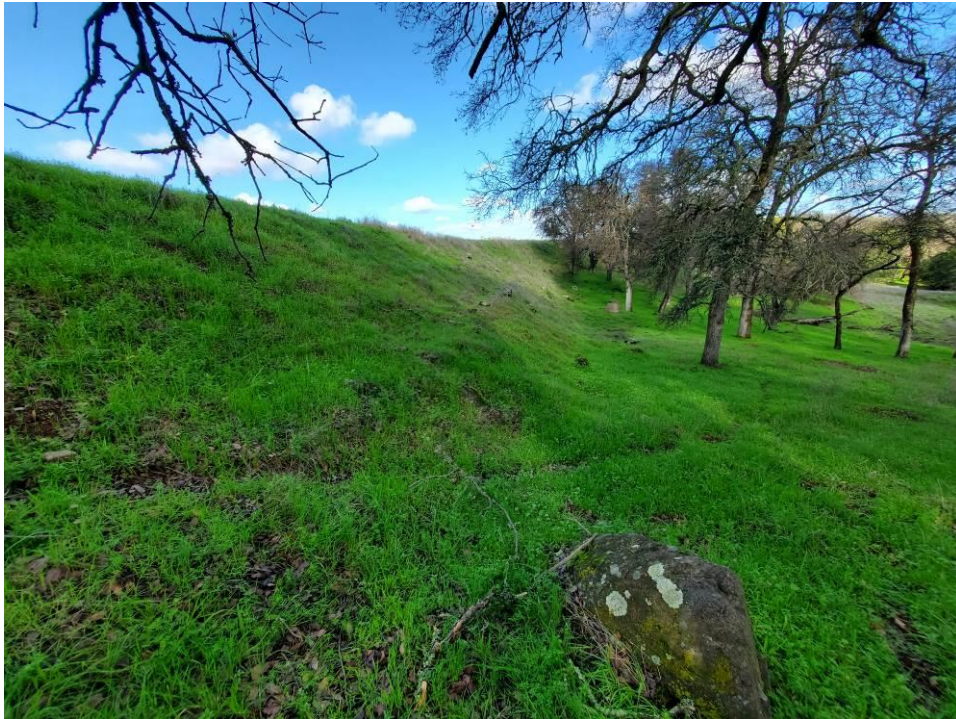


Photo 2: View of the downstream face of the South Dam from the right side looking towards the left.

INSPECTION OF DAM AND RESERVOIR IN CERTIFIED STATUS

Name of Dam Chesbro Dam No. 1450-2

Date of Inspection 1/25/2024



Photo 3: View of the downstream face of the Middle Dam from the right groin near the toe looking towards the left groin.



Photo 4: View of the upstream face of the North Dam from the left side looking towards the right.

INSPECTION OF DAM AND RESERVOIR IN CERTIFIED STATUS

Name of Dam Chesbro

Dam No. 1450-2

Date of Inspection 1/25/2024



Photo 5: View of the downstream face of the North Dam from the right side looking towards the left.



Photo 6: View of the downstream face of the North Dam from the right groin looking towards the toe. The fallen limbs shown by the red circle need to be removed.

INSPECTION OF DAM AND RESERVOIR IN CERTIFIED STATUS

Name of Dam Chesbro

Dam No. 1450-2

Date of Inspection 1/25/2024



Photo 7: View of the spillway approach and control section.

STATE OF CALIFORNIA
CALIFORNIA NATURAL RESOURCES AGENCY
DEPARTMENT OF WATER RESOURCES
DIVISION OF SAFETY OF DAMS

INSPECTION OF DAM AND RESERVOIR IN CERTIFIED STATUS

Name of Dam Calero Dam No. 1450-3 County Sacramento
Type of Dam Earth Type of Spillway Concrete pipe
Water is ~6 feet below spillway crest and ~11 feet below dam crest.

Weather Conditions Clear and warm

Contacts Made Ed McMurray, Mike Foeldi, Ryan Wenker, and Travis Bohannon with Rancho Murrieta Community Services District (RMCS D)
Reason for Inspection Maintenance inspection

Important Observations, Recommendations or Actions Taken

As requested, RMCS D had removed the shrub on the upstream faces of the East Dam, removed the vegetation and grass growth in the spillway approach, and removed the accessible vegetation from the outfall channel at Sump M1.

The status of the outfall channels for Sumps M1 and M2 were discussed during this inspection. Both sumps drain onto an adjacent property downstream of the Main Dam. A portion of the Sump M1 channel is accessible, but the outfall pipe for Sump M2 is located on the adjacent property. RMCS D is currently working on contacting the adjacent property owner to establish an access agreement to maintain the outfall channels for Sumps M1 and M2.

The following maintenance items were identified during this inspection:

- The downed oak tree on the downstream face of the Main Dam needs to be removed.
- Sporadic woody vegetation and small tree growth needs to be removed from the Main Dam.

Instrumentation

RMCS D needs to investigate the sudden drop in measured seepage flow at Sump M1 to determine if the system is functioning properly.

As requested, the latest instrumentation report included:

- long-term data plots for all historical survey movement,
- short-term and long-term data plots for seepage, piezometer, and reservoir data,
- plan view maps of the dam showing the instrumentation locations,
- and figures of dam cross sections showing each piezometer sensing interval, and the piezometer top of casing and tip elevations.

Conclusions

From the known information and visual inspection, the dam, reservoir, and the appurtenances are judged safe for continued use.

Observations and Comments

<u>Dam</u>	I walked the crests, downstream groins, and toes of the Main and East Dams. The visible portions of the upstream and downstream faces were uniform and showed no signs of instability or distress (Photos 1-4). The status of the crest road and previously reported potholes were discussed during this inspection. RMCS D reportedly placed gravel along the crest road since the last inspection and does so on an as needed basis. Shallow low spots with ponded water were present on the crest during this inspection but did not constitute a dam safety issue.
------------	--

Photos taken? Yes x No _____
cc for Owner/Book

Inspected by T.W. Banks TB 2/23/2024
Date of Inspection 1/25/2024 TJ 2/23/2024
Date of Report 2/15/2024

INSPECTION OF DAM AND RESERVOIR IN CERTIFIED STATUSName of Dam CaleroDam No. 1450-3Date of Inspection 1/25/2024**Observations and Comments**

	<p>Vegetation control was satisfactory apart from sporadic small woody vegetation growth on the Main Dam and the fallen oak tree at the toe of the Main Dam that was covering a portion of the downstream face (Photo 5). The fallen oak tree needs to be removed and RMCS D needs to remove the sporadic woody vegetation and small trees as part of their regular maintenance activities. No major rodent activity was observed, but RMCS D needs to continue with their abatement efforts and collapse and backfill burrows with compacted material when encountered.</p>
<u>Spillway</u>	<p>The spillway control section, and concrete pipe were clear and unobstructed (Photo 6). The concrete surfaces were in satisfactory condition. As requested, RMCS D had removed the vegetation and grass growth in the spillway approach. There were no stoplogs in the spillway structure in accordance with the Certificate of Approval which requires the stoplogs be removed between October 1 and April 15 of each year, both dates inclusive.</p>
<u>Outlet</u>	<p>The low-level outlet is controlled by an upstream slide gate and a downstream sluice gate. The California Water Code section 6102.5(c) requires that the upstream and downstream controls be fully cycled by the owner annually, and in the presence of DSOD every three years. Both controls were fully exercised during this inspection without issue. They are due to be cycled in the presence of DSOD again during the 2026-2027 inspection cycle.</p>
<u>Seepage</u>	<p>The dam embankments were damp due to recent precipitation, but no other signs of seepage (i.e. live flow, overly saturated ground, abnormally green vegetation) were observed on the downstream faces, groins or toes of the dams.</p> <p>The Main Dam is equipped with two sumps (Sumps M1 and M2) and the East Dam is equipped with one (East Dam). All were tested during this inspection and were in good working condition. Sump readings are recorded monthly and submitted with the annual instrumentation submittals.</p> <p>The status of the outfall channels for Sumps M1 and M2 were discussed during this inspection. Both sumps drain onto an adjacent property downstream of the Main Dam. A portion of the Sump M1 channel is accessible, but the outfall pipe for Sump M2 is located on the adjacent property. RMCS D is currently working on contacting the adjacent property owner to establish an access agreement to maintain the outfall channels for Sumps M1 and M2. The outfall for the East Dam is located in the upstream right groin of the East Dam and was observed to be clear and unobstructed. I suggested that RMCS D mark the East Dam outfall with a T-post or something similar for easy identification during inspections.</p>
<u>Instr.</u>	<p>Instrumentation at the dam consists of two piezometers, three seepage sump pumps, and eleven survey monuments. The latest instrumentation submittal was received under cover letter dated March 23, 2023, and covers data through the 2022 calendar year.</p> <p><u>Piezometers:</u> There are two open standpipe piezometers (P-3 and P-4) aligned near the maximum section of the Main Dam. P-3 is located in the crest, upstream of the chimney drain. P-4 is located in the downstream bench, downstream of the chimney drain and above the blanket drain.</p> <p>Since installation in 2008, P-3 has shown minor fluctuations corresponding to changes in reservoir level, and generally fluctuates between 15 to 20 feet above its tip elevation. This is reasonable given its location upstream of the chimney drain.</p> <p>Since installation in 2008, P-4 has shown little to no fluctuation, remaining within a few feet of its tip</p>

INSPECTION OF DAM AND RESERVOIR IN CERTIFIED STATUSName of Dam CaleroDam No. 1450-3Date of Inspection 1/25/2024**Observations and Comments**

elevation. This is reasonable given its location downstream of the chimney drain and above the blanket drain and suggests the two drains are functioning as intended.

Seepage: There are two sump pumps at the Main Dam (Sumps M1 and M2) and one sump pump at the East Dam (East Dam) that collect seepage. Sump pump data at each sump is collected monthly and plotted as cumulative flow for the month. Data for each sump is provided from 2004 through 2022.

Sump M1 generally records the most flow of the three sumps with response to changes in reservoir level with a historical max around 400,000 gallons per month (~9.3 GPM). Sump M1 showed an appreciable drop in measured flow in 2022. Sump M1 has exhibited similar behavior prior to 2006, but the owner should investigate the drop in flow to ensure the flow meter is functioning correctly.

Sump M2 shows fluctuations that correspond to changes in reservoir level, with a historical max around 80,000 gallons per month (~1.9 GPM). This behavior continued in 2022 and Sump M2 remained within its historical range, with an annual max around 75,000 gallons per month (~1.7 GPM).

East Dam also shows fluctuations that correspond to changes in reservoir level, with a historical max around 50,000 gallons per month (~1.2 GPM). This behavior continued in 2022 and East Dam remained within its historical range, with an annual max around 25,000 gallons per month (~0.6 GPM).

Survey: There are eleven survey monuments located along the crests of the Main and East Dams. The monuments are surveyed every five years for vertical and horizontal displacements. The latest survey was conducted in April 2020. The data from the latest survey was reviewed in the inspection report dated April 15, 2022, with no unusual trends noted. The next survey is due to be performed in 2025.

Conclusion: The instrumentation data indicate the dam is performing satisfactorily, and no additional instrumentation is deemed necessary at this time. RMCSD needs to investigate the sudden drop in measured seepage flow at Sump M1 to determine if the system is functioning properly.

INSPECTION OF DAM AND RESERVOIR IN CERTIFIED STATUS

Name of Dam Calero

Dam No. 1450-3

Date of Inspection 1/25/2024



Photo 1: View of the upstream face of the Main Dam from near the right abutment looking towards the left. The small tree shown by the red arrow needs to be removed.



Photo 2: View of the downstream face of the Main Dam from near the right abutment looking towards the left.

INSPECTION OF DAM AND RESERVOIR IN CERTIFIED STATUS

Name of Dam Calero Dam No. 1450-3

Date of Inspection 1/25/2024



Photo 3: View of the upstream face of the East Dam from near the right abutment looking towards the left.



Photo 4: View of the downstream face of the East Dam from near the right abutment looking towards the left.

INSPECTION OF DAM AND RESERVOIR IN CERTIFIED STATUS

Name of Dam Calero

Dam No. 1450-3

Date of Inspection 1/25/2024



Photo 5: View of the downstream face of the Main Dam near the middle of the dam. The fallen oak tree in this location needs to be removed.



Photo 6: View of the spillway approach and control section looking downstream.

STATE OF CALIFORNIA
CALIFORNIA NATURAL RESOURCES AGENCY
DEPARTMENT OF WATER RESOURCES
DIVISION OF SAFETY OF DAMS

INSPECTION OF DAM AND RESERVOIR IN CERTIFIED STATUS

Name of Dam Michigan Bar No. 1 Dam No. 1450-5 County Sacramento
Type of Dam Earth Type of Spillway Concrete box culvert
Water is ~17.6 feet below spillway crest and ~20 feet below dam crest.

Weather Conditions Clear and cool

Contacts Made Ryan Wenker with Rancho Murieta Community Services District (RMCS D)

Reason for Inspection Maintenance inspection

Important Observations, Recommendations or Actions Taken

The owner had removed some of the woody vegetation identified during the last inspection and the spillway approach was clear, but sporadic oak trees and berry vine growth remain on the dam that need to be removed as part of the regular maintenance activities.

Conclusions

From the known information and visual inspection, the dam, reservoir, and the appurtenances are judged safe for continued use.

Observations and Comments

<u>Dam</u>	The dam has two reservoirs, Reservoir No. 1 and Reservoir No. 2. I walked the crests of the two reservoirs. The crests were in satisfactory condition. The visible portion of the upstream faces and the downstream faces were in satisfactory condition with no signs of instability or distress (Photo 1 and 2). Intermittent oak tree and berry vine growth were present on the dam. RMCS D had removed some of the woody vegetation growth identified during the last inspection and I instructed them to continue removing the objectional vegetation as part of their regular maintenance activities. No major rodent activity was observed, but RMCS D needs to continue with their abatement efforts and collapse and backfill burrows with compacted material when encountered.
<u>Spillway</u>	Reservoir No. 1 has a box culvert emergency spillway. The spillway approach section and downstream channel were clear and unobstructed. Seasonal grass was present in front of the box culvert intake but did not constitute an impediment to flows. The cracking on the 2020 repair to the right side of the box culvert intake appeared unchanged from the past inspection. The cracked joint does not pose a dam safety concern at this time. The Certificate of Approval allows water to be impounded to Elevation 163.00 in Reservoir No. 1, which is 0.59-feet below the invert of the emergency spillway crest.
<u>Outlet</u>	The dam does not have a traditional low-level outlet. The reservoir can be dewatered via pumps located at the southwest end of Reservoir No. 1 (Photo 3). The pumps were in satisfactory condition and RMCS D regularly uses them for irrigation purposes.
<u>Seepage</u>	The dam embankment was damp due to recent precipitation, but no other signs of seepage (i.e. live flow, overly saturated ground, abnormally green vegetation) were observed on the downstream faces, toes, or toe ditch of the dams.
<u>Instr.</u>	There is no instrumentation at this dam, and none is deemed necessary at this time.

Photos taken? Yes No
cc for Owner/Book

Inspected by T.W. Banks TB 2/23/2024
Date of Inspection 1/25/2024 TJ 2/23/2024
Date of Report 2/7/2024

INSPECTION OF DAM AND RESERVOIR IN CERTIFIED STATUS

Name of Dam Michigan Bar No. 1

Dam No. 1450-5

Date of Inspection 1/25/2024



Photo 1: View of the south side upstream face of the dam at Reservoir No. 1 looking east.



Photo 2: View of the south side crest and downstream face of the dam at Reservoir No. 1 looking west.

INSPECTION OF DAM AND RESERVOIR IN CERTIFIED STATUS

Name of Dam Michigan Bar No. 1 Dam No. 1450-5

Date of Inspection 1/25/2024



Photo 3: View of the reservoir dewatering pumps located at the southwest corner of Reservoir No. 1.

STATE OF CALIFORNIA
CALIFORNIA NATURAL RESOURCES AGENCY
DEPARTMENT OF WATER RESOURCES
DIVISION OF SAFETY OF DAMS

INSPECTION OF DAM AND RESERVOIR IN CERTIFIED STATUS

Name of Dam Granlees Dam No. 451 County Sacramento
Type of Dam Concrete gravity Type of Spillway Overpour
Water is 0.5 feet above spillway crest and 4.5 feet below dam crest.

Weather Conditions Overcast and cool

Contacts Made Ryan Wenker with Rancho Murrieta Community Services District (RMCS D)

Reason for Inspection Maintenance inspection

Important Observations, Recommendations or Actions Taken

DSOD will schedule the next inspection with RMCS D in July/August 2024 to observe the dam when it is not spilling.

As previously requested, the vegetation at the downstream left groin of the South Dam needs to be removed.

Conclusions

From the known information and visual inspection, the dam, reservoir, and the appurtenances are judged safe for continued use.

Observations and Comments

<u>Dam</u>	<p>The North and South concrete gravity dam overpour structures were spilling during this inspection. The North Dam was observed from the right abutment and the South Dam was observed from the left abutment. The visible sections of the crests, upstream faces, and downstream faces showed no signs of instability or distress (Photos 1 and 2). Spalling mentioned in previous inspection reports at the overpour section of the North Dam was not observed during the inspection due to the spill. The longstanding transverse crack near the left abutment of the South Dam was obscured by the spill and was not observed during the inspection.</p> <p>The vegetation at the downstream left groin of the South Dam was still present and needs to be removed. No other objectional vegetation was noted during the inspection.</p>
<u>Spillway</u>	The spillway approaches, crests, and downstream channels were clear and unobstructed.
<u>Outlet</u>	<p>Neither dam has a functioning low-level outlet. The low-level outlet system consists of a sluice gate at the pumping plant intake at the North Dam and the fish ladder at the South Dam.</p> <p>The California Water Code section 6102.5(c) requires that the controls be fully cycled by the owner annually, and in the presence of DSOD every three years. The sluice gate was fully exercised during this inspection without issue. It is due to be cycled in the presence of DSOD again during the 2026-2027 inspection cycle.</p>
<u>Seepage</u>	The seepage conditions at the dam could not be assessed due to the ongoing spill.
<u>Instr.</u>	There is no instrumentation for this dam, and none is deemed necessary.

Photos taken? Yes No
cc for Owner/Book

Inspected by T.W. Banks TB 2/23/2024
Date of Inspection 2/13/2024 TJ 2/23/2024
Date of Report 2/15/2024

INSPECTION OF DAM AND RESERVOIR IN CERTIFIED STATUS

Name of Dam Granlees

Dam No. 451

Date of Inspection 2/13/2024



Photo 1: View of the North Dam from the right abutment looking towards the left.



Photo 2: View of the South Dam from the left abutment looking towards the right.

STATE OF CALIFORNIA
CALIFORNIA NATURAL RESOURCES AGENCY
DEPARTMENT OF WATER RESOURCES
DIVISION OF SAFETY OF DAMS

INSPECTION OF DAM AND RESERVOIR IN CERTIFIED STATUS

Name of Dam Clementia Dam No. 1450-4 County Sacramento
Type of Dam Earth Type of Spillway Concrete box culvert
Water is 0.1 feet above spillway crest and 7.9 feet below dam crest.

Weather Conditions Overcast and cool

Contacts Made Ryan Wenker and Travis Bohannon with Rancho Murrieta Community Services District (RMCS D)
Reason for Inspection Maintenance inspection

Important Observations, Recommendations or Actions Taken

As requested, RMCS D had cleared the berry vines at the downstream spillway and outlet channel.

The dam is well maintained, but RMCS D needs to continue removing sporadic woody vegetation from the dam faces and crest as needed.

Instrumentation

As requested, the latest instrumentation report included:

- long-term data plots for all historical survey movement,
- short-term and long-term data plots for seepage, piezometer, and reservoir data,
- plan view maps of the dam showing the instrumentation locations,
- and figures of dam cross sections showing each piezometer sensing interval, and the piezometer top of casing and tip elevations.

Conclusions

From the known information and visual inspection, the dam, reservoir, and the appurtenances are judged safe for continued use.

Observations and Comments

<u>Dam</u>	I walked the crest, downstream groins, and toe of the dam. The crest, upstream face, and downstream face were in satisfactory condition with no signs of instability or distress (Photos 1 and 2). Vegetation control on the dam was satisfactory apart from sporadic woody vegetation growth that RMCS D needs to remove as part of their regular maintenance activities. No major rodent activity was observed, but RMCS D needs to continue with their abatement efforts and collapse and backfill burrows with compacted material when encountered.
<u>Spillway</u>	The spillway, control section, box culvert, and downstream channel were clear and unobstructed. The concrete structure remains in satisfactory condition. Stoplogs were not in place, in accordance with the Certificate of Approval which requires the boards be removed between October 1 and April 15 each year, both dates inclusive. As requested, RMCS D had cleared the berry vines at the downstream spillway and outlet channel (Photo 3).
<u>Outlet</u>	The low-level outlet is controlled by an upstream slide gate and downstream gate valve. The California Water Code section 6102.5(c) requires that the upstream and downstream controls be fully cycled by the owner annually, and in the presence of DSOD every three years. Both controls were fully exercised during this inspection without issue. They are due to be cycled in the presence of DSOD again during the 2026-2027 inspection cycle.

Photos taken? Yes No
cc for Owner/Book

Inspected by T.W. Banks TB 2/23/2024
Date of Inspection 2/13/2024 TJ 2/23/2024
Date of Report 2/15/2024

INSPECTION OF DAM AND RESERVOIR IN CERTIFIED STATUSName of Dam ClementiaDam No. 1450-4Date of Inspection 2/13/2024**Observations and Comments**Seepage

The dam embankment was damp due to morning dew, but no other signs of seepage (i.e. live flow, overly saturated ground, abnormally green vegetation) were observed on the downstream faces, groins, or toe of the dam.

Seepage is collected in a sump at the toe of the dam and the sump pump is metered. Sump readings are recorded monthly and submitted with the annual instrumentation submittals. The outfall for the sump pump and the surrounding area were observed to be clear (Photo 4).

Instr.

Instrumentation at the dam consists of two piezometers, a seepage sump pump, and five survey monuments. The latest instrumentation submittal was received under cover letter dated March 23, 2023, and covers data through the 2022 calendar year.

Piezometers: There are two open standpipe piezometers (P-1 and P-2) aligned near the maximum section of the dam. P-1 is located in the crest, upstream of the chimney drain. P-2 is located in the downstream shell, downstream of the chimney drain and above the blanket drain.

Since installation in 2008, P-1 has shown minor fluctuations corresponding to changes in reservoir level, but generally fluctuates between 8 to 10 feet above its tip elevation. This is reasonable given its location upstream of the chimney drain.

Since installation in 2008, P-2 has generally read dry. This is reasonable given its location downstream of the chimney drain and above the blanket drain and suggests the two drains are functioning as intended.

Seepage: There is one sump pump located at the toe of the dam. Sump readings are recorded monthly. Data is provided from 2004 through 2022. Seepage measured at the sump generally follows changes in the reservoir level, with a historical max prior to 2017 around 50,000 gallons per month (~1.2 GPM). A new meter and pumping system were installed in late 2016/early 2017. Since this installation, the seasonal maximum has been as high as 500,000 gallons per month (~11.5 GPM). This behavior continued in 2022 and the sump remained within its historical range, with an annual max around 150,000 gallons per month (~3.5 GPM).

Survey: There are five survey monuments at the dam. The monuments are surveyed every five years for vertical and horizontal displacements. The latest survey was conducted in April 2020. The data from the latest survey was reviewed in the inspection report dated April 15, 2022, with no unusual trends noted. The next survey is due to be performed in 2025.

Conclusion: The instrumentation data indicate the dam is performing satisfactorily, and no additional instrumentation is deemed necessary at this time.

INSPECTION OF DAM AND RESERVOIR IN CERTIFIED STATUS

Name of Dam Clementia

Dam No. 1450-4

Date of Inspection 2/13/2024



Photo 1: View of the upstream face from near the right abutment looking towards the left.



Photo 2: View of the downstream face from near the left abutment looking towards the right.

INSPECTION OF DAM AND RESERVOIR IN CERTIFIED STATUS

Name of Dam Clementia

Dam No. 1450-4

Date of Inspection 2/13/2024



Photo 3: View of the spillway and low-level outlet outfall structure looking upstream.



Photo 4: View of the seepage sump pump outfall in the ditch downstream of the toe of the dam.

STATE OF CALIFORNIA
CALIFORNIA NATURAL RESOURCES AGENCY
DEPARTMENT OF WATER RESOURCES
DIVISION OF SAFETY OF DAMS

INSPECTION OF DAM AND RESERVOIR IN CERTIFIED STATUS

Name of Dam Michigan Bar No. 2 Dam No. 1450-6 County Sacramento
Type of Dam Earth Type of Spillway Concrete pipe
Water is at the feet - spillway crest and 2.5 feet below dam crest.

Weather Conditions Overcast and cool

Contacts Made Ryan Wenker and Travis Bohannon with Rancho Murrieta Community Services District (RMCS D)
Reason for Inspection Maintenance inspection

Important Observations, Recommendations or Actions Taken

The dam is well maintained.

The outlet slide gates for Pond No. 3 and Pond No. 5 are due to be cycled in the presence of DSOD during the next inspection.

Conclusions

From the known information and visual inspection, the dam, reservoir, and the appurtenances are judged safe for continued use.

Observations and Comments

<u>Dam</u>	The dam has five ponds, but only the sections of embankment impounding Pond No. 3 and No. 5 are jurisdictional. I walked the crest and the western downstream toe (Photo 1). The visible upstream faces, crests, and downstream faces and groins were in satisfactory condition, showing no signs of instability or distress. Vegetation control was satisfactory. No major rodent activity was observed, but RMCS D needs to continue with their abatement efforts and collapse and backfill burrows with compacted material when encountered.
<u>Spillway</u>	The ponds are equipped with overflow structures that connect each pond. Pond No. 5 has a spillway pipe which discharges into Reservoirs No. 1 and No. 2 at Michigan Bar No. 1 Dam. The spillway pipe and each overflow structure were clear and unobstructed.
<u>Outlet</u>	The low-level outlet system is comprised of drain lines for both Ponds No. 3 and No. 5. The drains discharge into a diversion manhole located at the north end of the reservoir between Ponds No. 3 and No. 5. Each drain line is controlled by a slide gate located in the manhole. Releases then discharge through a single drain line into Michigan Bar No. 1 Dam (Photo 2). The slide gate which controls the drain line into Michigan Bar No. 1 Dam is left in the fully open position and the operating stem has been removed. The California Water Code section 6102.5(c) requires that the outlet controls be fully cycled by the owner annually, and in the presence of DSOD every three years. The controls for Ponds No. 3 and No. 5 were fully cycled in the presence of DSOD on February 10, 2022. They are due to be cycled in the presence of DSOD again during the next inspection.
<u>Seepage</u>	The dam embankment was damp due to morning dew, but no other signs of seepage (i.e. live flow, overly saturated ground, abnormally green vegetation) were observed on the downstream faces, groins, or toe of the dam.
<u>Instr.</u>	There is no instrumentation for this dam, and none is deemed necessary at this time.

Photos taken? Yes No
cc for Owner/Book

Inspected by T.W. Banks TB 2/23/2024
Date of Inspection 2/13/2024 TJ 2/23/2024
Date of Report 2/15/2024

INSPECTION OF DAM AND RESERVOIR IN CERTIFIED STATUS

Name of Dam Michigan Bar No. 2 Dam No. 1450-6

Date of Inspection 2/13/2024



Photo 1: View of the downstream face and toe on the west side of the ponds.

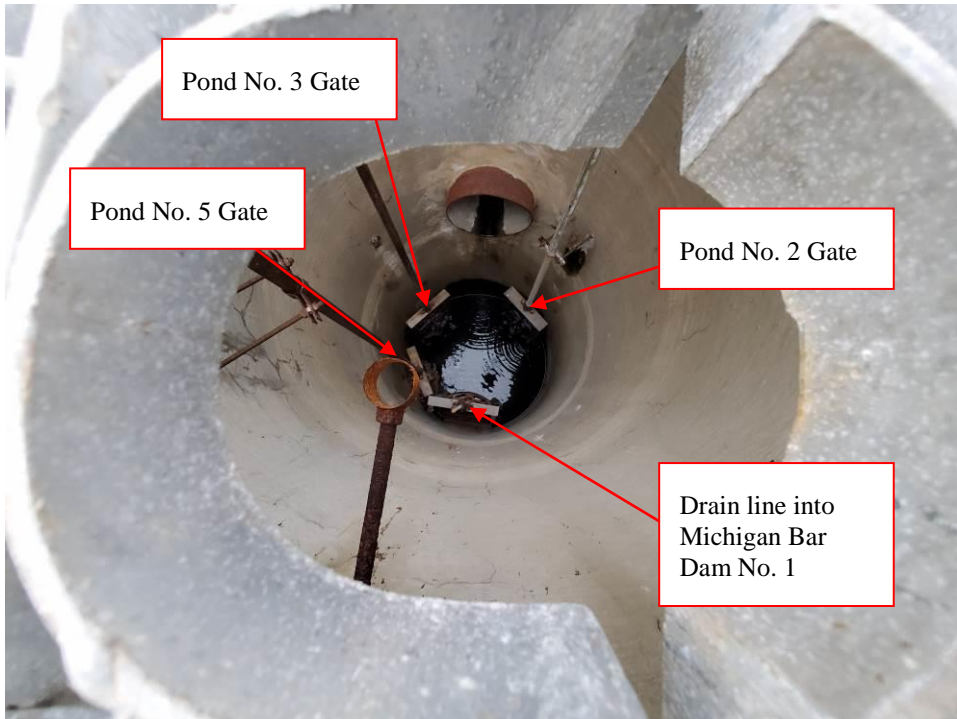


Photo 2: View into the diversion manhole.

RANCHO MURIETA COMMUNITY SERVICES DISTRICT

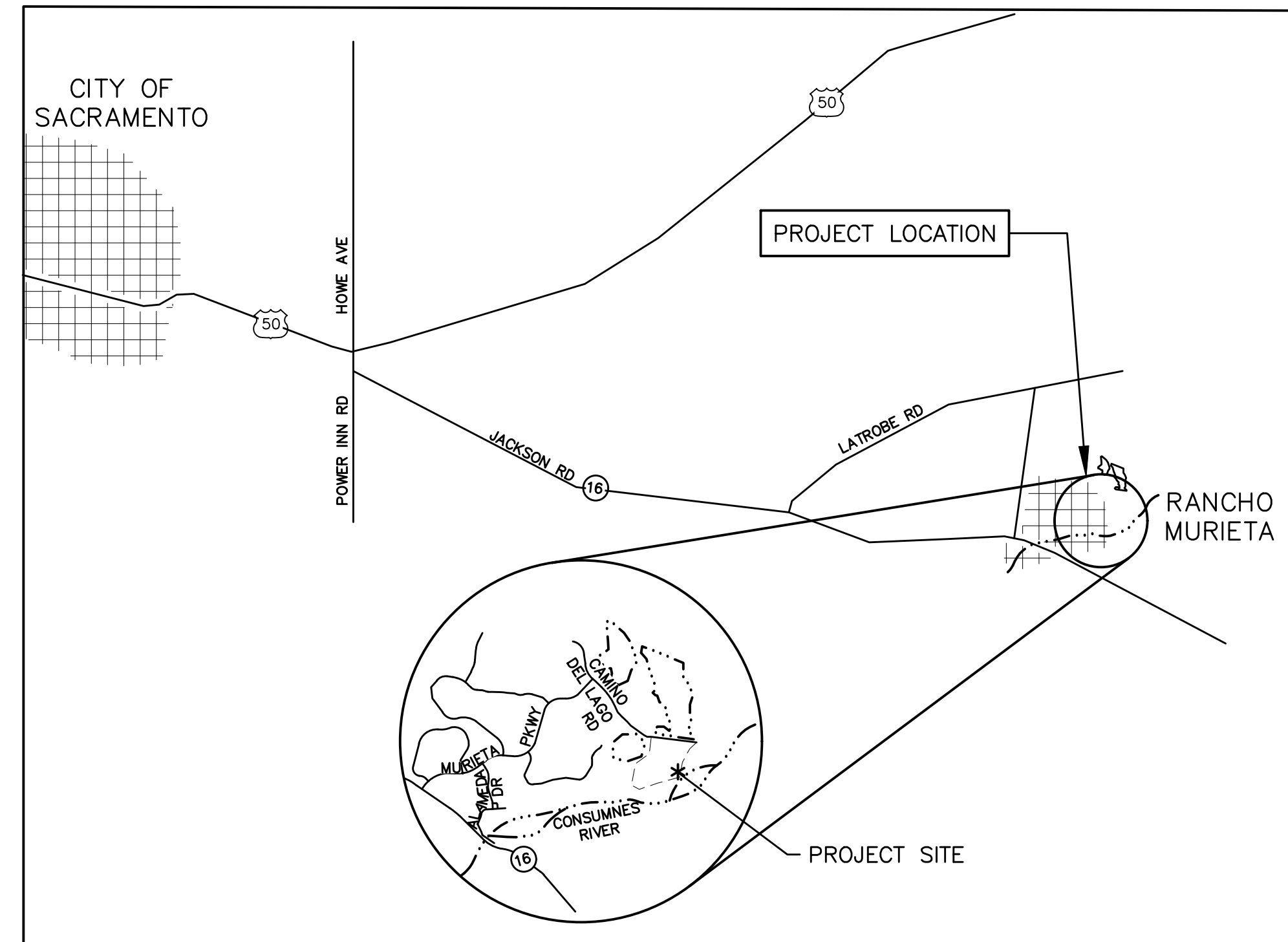
RANCHO MURIETA, CALIFORNIA

GRANLEES RAW WATER INTAKE IMPROVEMENTS

BID SET
FEBRUARY 2024

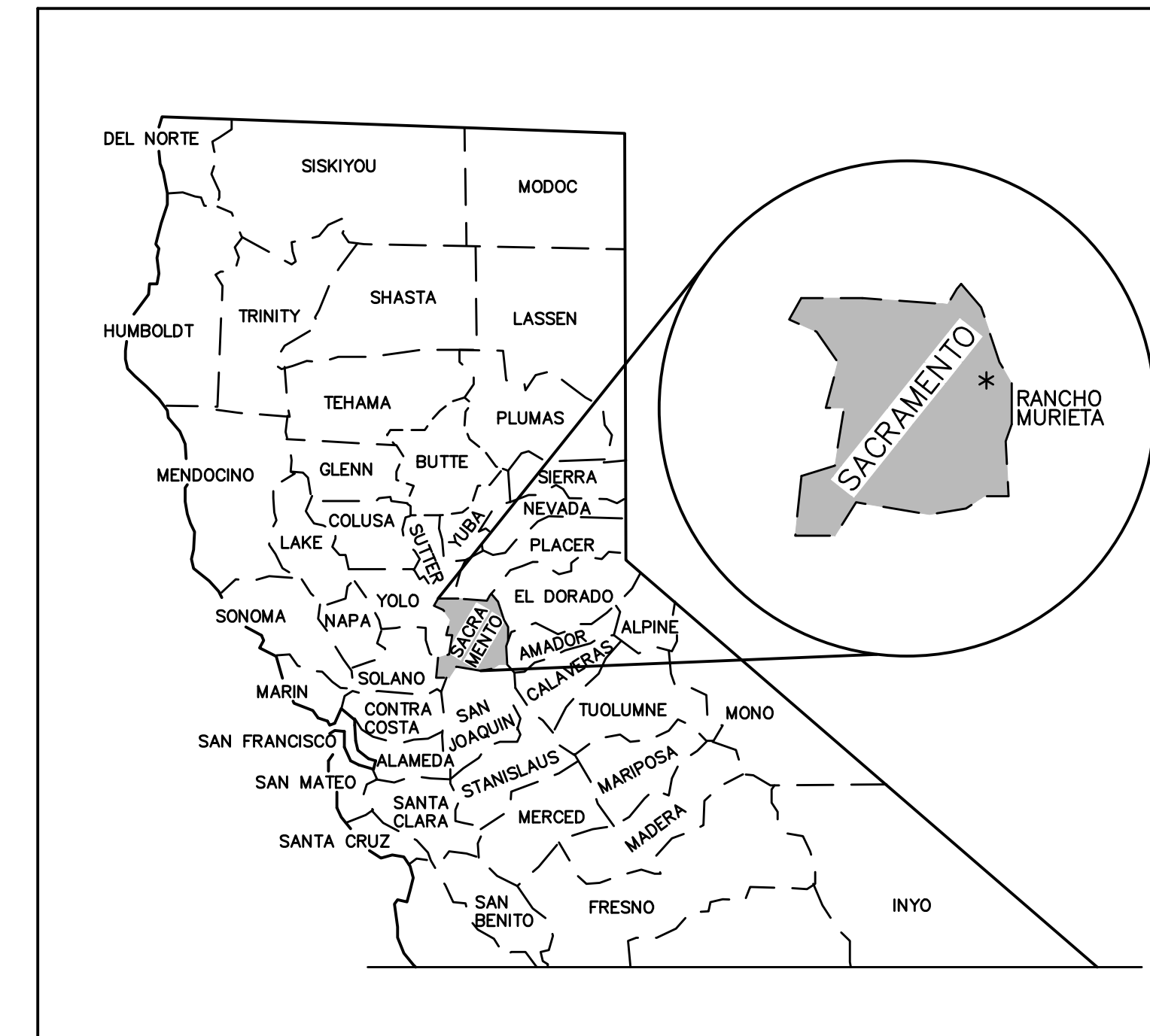
INDEX OF DRAWINGS

DWG	SHEET	TITLE
G1	1	COVER SHEET
G2	2	GENERAL NOTES, ABBREVIATIONS & SYMBOLS
C1	3	UPPER DEMOLITION PLAN
C2	4	LOWER DEMOLITION PLAN
C3	5	UPPER RENOVATION PLAN
C4	6	LOWER RENOVATION PLAN
C5	7	SECTIONS & DETAILS 1
C6	8	SECTIONS & DETAILS 2
C7	9	SECTIONS & DETAILS 3
C8	10	SECTIONS & DETAILS 4
C9	11	SECTIONS & DETAILS 5
C10	12	TYPICAL DETAILS



LOCATION MAP

NOT TO SCALE



VICINITY MAP

NOT TO SCALE

APPROVED ON _____ RESOLUTION NO. _____
[Signature] 02/28/2024
 RANCHO MURIETA COMMUNITY SERVICES DISTRICT DATE
 _____ 02/28/2024
[Signature] DATE
 DOMENICHELLI & ASSOCIATES

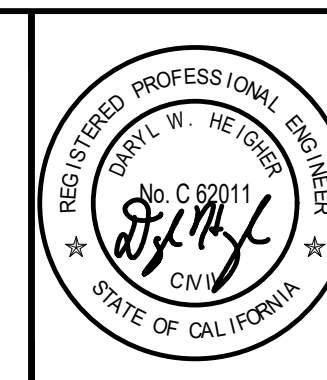
Z:\RM-ONCALL 3-21 TO 3-24\RM-033 GRANLEES DIVERSION DESIGN\DRAWINGS\RM033-G'S.DWG

REVISIONS				
REV	DESCRIPTION	DATE	BY	CHKD
1	BID SET	02/24	DWH	DWH

WARNING
 0 1"
 AT FULL SCALE
 (IF BAR IS NOT 1" - SCALE ACCORDINGLY)

DESIGNED: D. HEIGHER
 DRAWN: J. CADE
 CHECKED: J. DOMENICHELLI
 DATE: FEBRUARY 2024

DOMENICHELLI & ASSOCIATES
 Domenichelli & Associates
 5180 Golden Foothill Pkwy, Suite 220 Ph: (916) 933-1997
 El Dorado Hills, CA 95762 Fax: (916) 933-4778



Rancho Murieta
 Community Services District
 15160 Jackson Road, Rancho Murieta
 (916) 354 3700

RANCHO MURIETA COMMUNITY SERVICES
 GRANLEES RAW WATER INTAKE IMPROVEMENTS
 COVER SHEET

DRAWING NUMBER
G1
 SHEET NUMBER
1 OF 12

GENERAL NOTES

- WORK INCLUDED (BUT NOT LIMITED TO):
 - ALL WORK SHALL CONFORM TO THE APPLICABLE LOCAL, STATE AND FEDERAL CODES AND SPECIFICATIONS INCLUDING OSHA.
 - IT IS THE CONTRACTOR'S RESPONSIBILITY TO ASSURE JOB SAFETY. LOCAL, STATE AND FEDERAL, INCLUDING OSHA, LAWS AND RULES SHALL BE ENFORCED BY THE CONTRACTOR AT ALL TIMES.
 - THE CONTRACTOR SHALL NOTIFY UNDERGROUND SERVICE ALERT (USA), (800) 642-2444, 48 HOURS PRIOR TO ANY EXCAVATION. THE CONTRACTOR SHALL ALSO NOTIFY ALL OTHER UTILITIES, NOT IN USA, 48 HOURS PRIOR TO ANY EXCAVATION.
 - ALL STRUCTURES AND FACILITIES DAMAGED BY CONTRACTOR SHALL BE REPAIRED OR REPLACED AT CONTRACTOR'S EXPENSE.
- PUBLIC SAFETY AND TRAFFIC CONTROL PLAN SHALL BE PROVIDED IN ACCORDANCE WITH THE GENERAL SPECIFICATIONS. SAFE VEHICULAR AND OPERATION STAFF ACCESS SHALL BE PROVIDED AT ALL TIMES DURING CONSTRUCTION.
- EROSION CONTROL MEASURES SHALL BE IN ACCORDANCE WITH THE SPECIFICATIONS AND SACRAMENTO COUNTY BMPS.
- THE TYPES, LOCATIONS, SIZES, AND/OR DEPTHS OF EXISTING UNDERGROUND UTILITIES AS SHOWN ON THESE IMPROVEMENT PLANS WERE OBTAINED FROM SOURCES OF VARYING RELIABILITY. THE CONTRACTOR IS CAUTIONED THAT ONLY ACTUAL EXCAVATION WILL REVEAL THE TYPES, EXTENT, SIZES, LOCATIONS, AND DEPTHS OF SUCH UNDERGROUND UTILITIES. A REASONABLE EFFORT HAS BEEN MADE TO LOCATE AND DELINEATE ALL KNOWN UNDERGROUND UTILITIES. HOWEVER, THE DISTRICT CAN ASSUME NO RESPONSIBILITY FOR THE COMPLETENESS OR ACCURACY OF THE DELINEATION OF SUCH UNDERGROUND UTILITIES NOR FOR THE EXISTENCE OF OTHER BURIED OBJECTS OR UTILITIES WHICH MAY BE ENCOUNTERED BUT WHICH ARE NOT SHOWN ON THESE DRAWINGS. IT IS THE CONTRACTOR'S RESPONSIBILITY TO VERIFY ACTUAL LOCATIONS.
- ALL CONSTRUCTION SHALL CONFORM TO THESE PLANS AND SPECIFICATIONS.
- THE CONTRACTOR SHALL NOTIFY THE DISTRICT CONSTRUCTION INSPECTION SUPERVISOR AT (916) 354-3700 A MINIMUM OF 48 HOURS PRIOR TO INTENDED START OF WORK TO ARRANGE A PRE-CONSTRUCTION FIELD MEETING AND SHALL VERIFY AT THIS TIME THAT THE INSPECTOR HAS RECEIVED COPIES OF THE APPROVED PLANS. NO CONSTRUCTION MAY BE PERFORMED PRIOR TO THIS MEETING.
- COMPLIANCE WITH NOISE RESTRICTIONS IS REQUIRED. HOURS OF CONSTRUCTION OPERATION SHALL BE LIMITED FROM 7:00 A.M. TO 6:00 P.M. WEEKDAYS. NO SATURDAY WORK SHALL BE ALLOWED UNLESS APPROVED BY THE DISTRICT. NO SUNDAY WORK IS APPROVED. CONSTRUCTION EQUIPMENT SHALL BE MUFFLED AND SHROUDED TO MINIMIZE NOISE LEVELS IN ACCORDANCE WITH MANUFACTURER'S RECOMMENDATIONS.
- NO REFUELING, LUBRICATION, OR MAINTENANCE OF CONSTRUCTION VEHICLES SHALL BE DONE ANYWHERE ON THE SITE EXCEPT WITHIN APPROVED CONSTRUCTION STAGING AREAS.

PROJECT NOTES

- BYPASS PUMPING: THE CONTRACTOR SHALL BE REQUIRED TO SUPPLY WATER TO THE CIA DITCH AT A RATE OF 2250 GPM DURING TIMES THAT THE FOREBAY WILL NEED TO BE BYPASSED FOR CONSTRUCTION. THIS WORK IS LISTED AS ALTERNATE BID ITEM A1 IN THE BID SCHEDULE. PROVIDE A DAILY RATE FOR PUMPING IN THE BID SCHEDULE.
- THE CONTRACTOR WILL BE REQUIRED TO CONSTRUCT A BARRIER TO PREVENT WATER FROM ENTERING THE FOREBAY WHEN WORKING INSIDE THE STRUCTURE AND INSTALLING THE CONTROL GATES.

ARCHAEOLOGY NOTE

SHOULD ANY CULTURAL RESOURCES, SUCH AS STRUCTURAL FEATURES, UNUSUAL AMOUNTS OF BONE OR SHELL, ARTIFACTS, HUMAN REMAINS, OR ARCHITECTURAL REMAINS BE ENCOUNTERED DURING ANY DEVELOPMENT ACTIVITIES, WORK SHALL BE SUSPENDED AND THE OWNER SHALL BE NOTIFIED IMMEDIATELY. CONTRACTOR SHALL COMPLY WITH ALL CONTRACT REQUIREMENTS FOR PROTECTION OF CULTURAL AND ARCHITECTURAL RESOURCES.

CONSTRUCTION WATER

ALL CONSTRUCTION WATER TO BE OBTAINED FROM A LOCATION APPROVED BY THE RANCHO MURIETA COMMUNITY SERVICES DISTRICT.

LEGEND & SYMBOLS

	FLANGED JOINT		WATER SERVICE REGULATOR OR WATER METER
	MECHANICAL JOINT		FIRE HYDRANT
	WELDED JOINT		LIGHT POLE
	BELL & SPIGOT JOINT (LEADED)		SIGN
	BALL JOINT		PROPERTY LINE
	GROOVED END JOINT		EXISTING SEWER
	FLANGED COUPLING ADAPTER		NEW SEWER
	FLEXIBLE COUPLING		EXISTING NON-POTABLE WATER LINE
	FLEXIBLE COUPLING WITH THRUST TIES		NEW NON-POTABLE WATER LINE
	STEEL BELLOWS EXP JOINT		WATER LINE
	ELASTOMER BELLOWS EXP JOINT		TEE UP
	ELBOW UP		TEE DOWN
	ELBOW DOWN		LATERAL UP
	TEE UP		LATERAL DOWN
	TEE DOWN		ELBOW 90°
	LATERAL UP		CROSS
	LATERAL DOWN		TEE
	ELBOW 90°		ELBOW 45°
	CROSS		LATERAL
	TEE		CONCENTRIC REDUCER
	ELBOW 45°		ECCENTRIC REDUCER
	LATERAL		UNION
	CONCENTRIC REDUCER		CAP (WELDED)
	ECCENTRIC REDUCER		TRAP
	UNION		VENT
	CAP (WELDED)		WYE
	TRAP		BURIED VALVE W/ BOX
	VENT		BALL VALVE
	WYE		BUTTERFLY VALVE
	BURIED VALVE W/ BOX		CHECK VALVE
	BALL VALVE		DIAPHRAGM VALVE
	BUTTERFLY VALVE		GATE VALVE
	CHECK VALVE		PUMP CONTROL VALVE
	DIAPHRAGM VALVE		PRESSURE RELIEF VALVE
	GATE VALVE		PLUG VALVE
	PUMP CONTROL VALVE		3 WAY VALVE
	PRESSURE RELIEF VALVE		4 WAY VALVE
	PLUG VALVE		VACUUM RELIEF VALVE
	3 WAY VALVE		BACKFLOW PREVENTER
	4 WAY VALVE		BLIND FLANGE
	VACUUM RELIEF VALVE		DOUBLE MECHANICAL JOINT
	BACKFLOW PREVENTER		PVC JOINT
	BLIND FLANGE		EXPANSION COUPLING
	DOUBLE MECHANICAL JOINT		PIPE CONTINUATION
	PVC JOINT		PIPE CONTINUATION, END VIEW
	EXPANSION COUPLING		CLEAN OUT
	PIPE CONTINUATION		DRAIN OR BELL-UP
	PIPE CONTINUATION, END VIEW		FILTER
	CLEAN OUT		FLEXIBLE HOSE OR TUBING
	DRAIN OR BELL-UP		FLOWMETER
	FILTER		FLOWTUBE
	FLEXIBLE HOSE OR TUBING		FREE SURFACE
	FLOWMETER		GAGE, PRESSURE (W/COCK)
	FLOWTUBE		HOSE BIBB 3/4" W/HOSE THREAD
	FREE SURFACE		YARD HYDRANT, FREEZE PROOF
	GAGE, PRESSURE (W/COCK)		HOSE CONNECTION
	HOSE BIBB 3/4" W/HOSE THREAD		HOSE RACK
	YARD HYDRANT, FREEZE PROOF		ORIFICE PLATE
	HOSE CONNECTION		PUMP, CENTRIFUGAL
	HOSE RACK		PUMP, VARIABLE SPEED
	ORIFICE PLATE		PUMP, PROGRESSIVE CAVITY
	PUMP, CENTRIFUGAL		SLEEVE
	PUMP, VARIABLE SPEED		STRAINER
	PUMP, PROGRESSIVE CAVITY		WATER SERVICE
	SLEEVE		
	STRAINER		
	WATER SERVICE		

ABBREVIATIONS

AC	ASPHALT CONCRETE	NTS	NOT TO SCALE
AB	AGGREGATE BASE	OC	ON CENTER
ARV	AIR RELEASE VALVE	OF	OVERFLOW
		OZ	OUNCE
BF	BLIND FLANGE	PE	PLAIN END
BFV	BUTTERFLY VALVE	PL	PLATE (STEEL)
BLDG	BUILDING	PLYWD	PLYWOOD
BM	BENCH MARK	PRESS	PRESSURE
BOF	BOTTOM OF FLANGE	PL	PROPERTY LINE
BW	BACKWASH WATER	PSI	POUND PER SQUARE INCH
		PW	POTABLE WATER
CIP	CAST IN PLACE	R OR RAD	RADIUS
CLG	CEILING	RD	ROAD
CLR	CLEAR	RDW	REDWOOD
CL	CENTERLINE	RED	REDUCER
CMP	CORRUGATED METAL PIPE	RM	ROOM
CO	CLEANOUT	RO	ROUGH OPENING
CONC	CONCRETE	RTN	RETURN
CONT	CONTINUOUS	RV	ROOF VENT
CPLG	COUPLING	R/W	RIGHT-OF-WAY
C TO C	CENTER TO CENTER		
CV	CHECK VALVE		
d	PENNY (NAIL SIZE)	SCHED	SCHEDULE
DET	DETAIL DIA DIAMETER	SEC	SECTION
DIA	DIAMETER	SH	SHEET
DIP	DUCTILE IRON PIPE	SHTG	SHEATHING
DWG	DRAWING	SPEC	SPECIFICATIONS
		SQ	SQUARE
(E)	EXISTING	SST	STAINLESS STEEL
EA	EACH	STA	STATION
ECC	ECCENTRIC	STD	STANDARD
EG	EXISTING GRADE	STL	STEEL
EL	ELEVATION	STRL	STRUCTURAL
ELB	ELBOW	STRUCT	STRUCTURE
ELEC	ELECTRIC, ELECTRICAL		
ESEW	EMERGENCY SHOWER & EYEWASH	TAN	TANGENT
EW	EACH WAY	TBG	TUBING TECH TECHNICAL
EXH	EXHAUST	TEMP	TEMPERATURE OR TEMPORARY
EX	EXISTING	THD	THREAD
EXIST	EXISTING	TOC	TOP OF CURB
		TOG	TOP OF GRATE
FC	FLEXIBLE COUPLING	TOP	TOP OF PIPE
FCA	FLANGED COUPLING ADAPTER	TOR	TOP OF ROCK
FCTRY	FACTORY	TOW	TOP OF WALL
FD	FLOOR DRAIN	TYP	TYPICAL
FDN	FOUNDATION	TW	TREATED WATER
FF	FINISH FLOOR		
FG	FINISH GRADE	UNO	UNLESS NOTED OTHERWISE
FIG	FIGURE		
FL	FLOOR	V	VENT, VOLT
FLG	FLANGE FL FLOW LINE	VAC	VACUUM
FM	FORCE MAIN	VTR	VENT THRU ROOF
FT	FOOT OR FEET		
FTG	FOOTING	WM	WATER METER
		WW	WASTE WATER
GA	GAGE		
GAL	GALLON		
GALV	GALVANIZED		
GV	GATE VALVE		
HDW	HARDWARE		
HORIZ	HORIZONTAL		
HP	HORSEPOWER		
HR	HOSE RACK		
IE	INVERT ELEVATION		
IN	INCH		
INSUL	INSULATION		
INV	INVERT		
JT	JOINT		
KIP	THOUSAND POUNDS		
KW	KILOWATT		
L	ANGLE		
LB	POUNDS		
LF	LINEAR FEET		
LT	LEFT		
LR	LONG RADIUS		
MAX	MAXIMUM		
MECH	MECHANICAL		
MFR	MANUFACTURER		
MH	MANHOLE		
MIN	MINIMUM		
MISC	MISCELLANEOUS		
MJ	MECHANICAL JOINT		
MO	MASONRY OPENING		
(N)	NEW		
NO OR #	NUMBER		

Z:\RM-ONCALL 3-21 to 3-24\RM-033 GRANLEES DIVERSION DESIGN\DRAWINGS\RM033-GS.DWG

REVISIONS				
REV	DESCRIPTION	DATE	BY	CHKD
1	BID SET	02/24	DWH	DWH

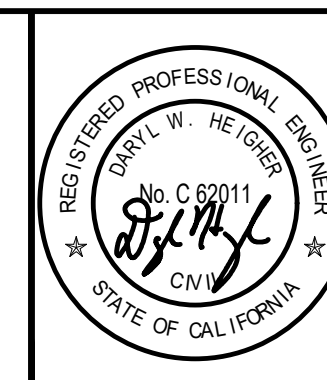
WARNING

0 1" AT FULL SCALE (IF BAR IS NOT 1" - SCALE ACCORDINGLY)

DESIGNED: D. HEIGHER
 DRAWN: J. CADE
 CHECKED: J. DOMENICHELLI
 DATE: FEBRUARY 2024

DOMENICHELLI & ASSOCIATES

Domenicelli & Associates
 5180 Golden Foothill Pkwy, Suite 220 Ph: (916) 933-1997
 El Dorado Hills, CA 95762 Fax: (916) 933-4778



Rancho Murieta Community Services District

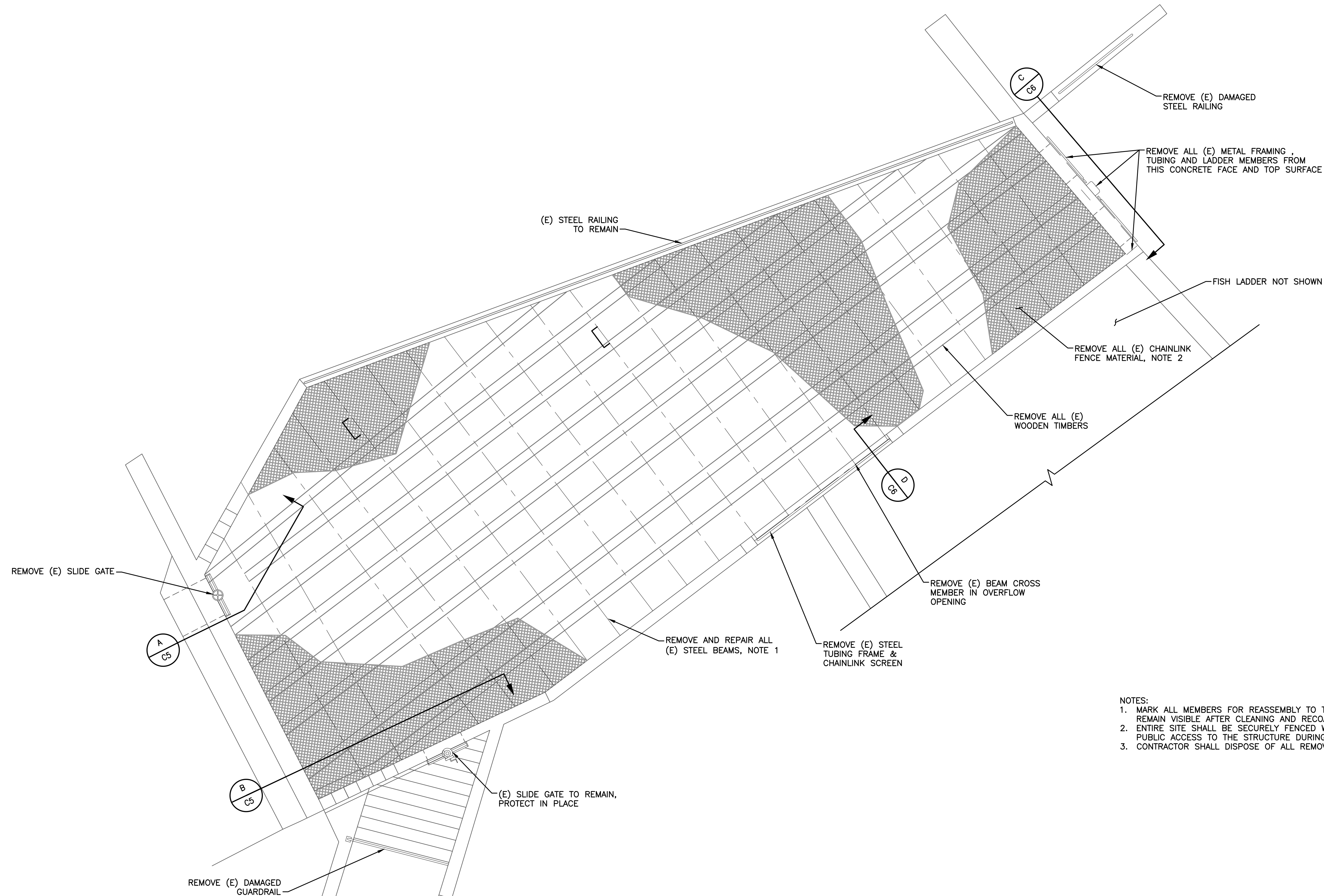
15160 Jackson Road, Rancho Murieta (916) 354 3700

RANCHO MURIETA COMMUNITY SERVICES
 GRANLEES RAW WATER INTAKE IMPROVEMENTS

GENERAL NOTES, ABBREVIATIONS & SYMBOLS

DRAWING NUMBER	G2
SHEET NUMBER	2 OF 12

Z:\RM-ONCALL 3-21 TO 3-24\RM-033 GRANLEES DIVERSION DESIGN\DRAWINGS\RM033-FBAY PLAN.DWG



- NOTES:
1. MARK ALL MEMBERS FOR REASSEMBLY TO THE SAME LOCATIONS. MARKS SHALL REMAIN VISIBLE AFTER CLEANING AND RECOATING.
 2. ENTIRE SITE SHALL BE SECURELY FENCED WITH TEMPORARY FENCING TO PREVENT PUBLIC ACCESS TO THE STRUCTURE DURING CONSTRUCTION.
 3. CONTRACTOR SHALL DISPOSE OF ALL REMOVED MATERIALS IN A LEGAL MANNER.

REVISIONS				
REV	DESCRIPTION	DATE	BY	CHKD
1	BID SET	02/24	DWH	DWH

WARNING

 0 1"
 AT FULL SCALE
 (IF BAR IS NOT 1" - SCALE ACCORDINGLY)

DESIGNED: D. HEIGHER
 DRAWN: J. CADE
 CHECKED: J. DOMENICHELLI
 DATE: FEBRUARY 2024

DOMENICHELLI & ASSOCIATES
 Domenichelli & Associates
 5180 Golden Foothill Pkwy, Suite 220 Ph: (916) 933-1997
 El Dorado Hills, CA 95762 Fax: (916) 933-4778



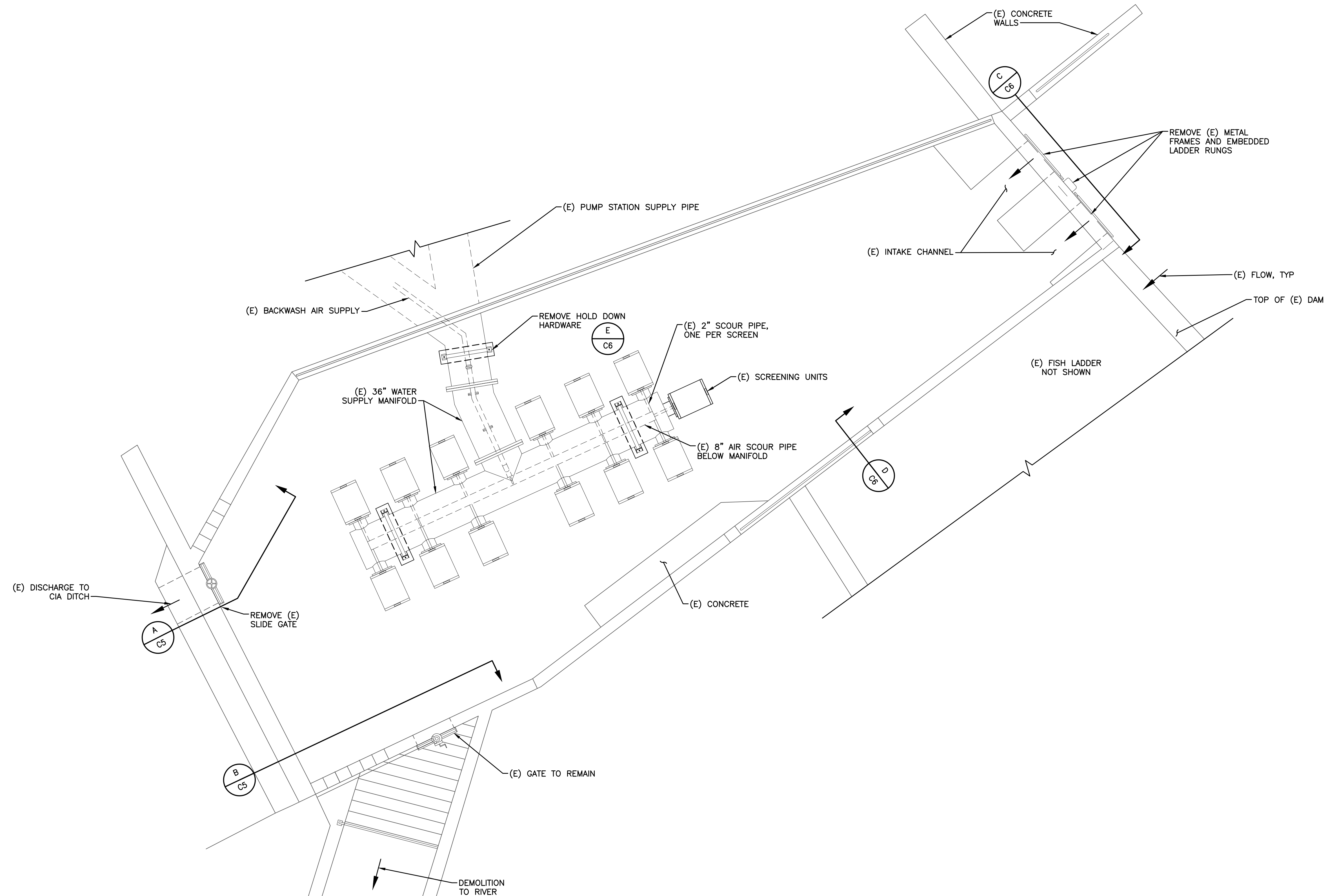
Rancho Murieta
 Community Services District

 15160 Jackson Road, Rancho Murieta
 (916) 354 3700

RANCHO MURIETA COMMUNITY SERVICES
 GRANLEES RAW WATER INTAKE IMPROVEMENTS
UPPER DEMOLITION PLAN

DRAWING NUMBER
C1
 SHEET NUMBER
 3 OF 12

Z:\IRM-ONCALL 3-21 TO 3-24\IRM-033 GRANLEES DIVERSION DESIGN\DRAWINGS\IRM033-FBAY PLAN.DWG



REVISIONS				
REV	DESCRIPTION	DATE	BY	CHKD
1	BID SET	02/24	DWH	DWH

WARNING
 0 1"
 AT FULL SCALE
 (IF BAR IS NOT 1" - SCALE ACCORDINGLY)

DESIGNED: D. HEIGHER
 DRAWN: J. CADE
 CHECKED: J. DOMENICHELLI
 DATE: FEBRUARY 2024

DOMENICHELLI & ASSOCIATES
 Domenichelli & Associates
 5180 Golden Foothill Pkwy, Suite 220 Ph: (916) 933-1997
 El Dorado Hills, CA 95762 Fax: (916) 933-4778

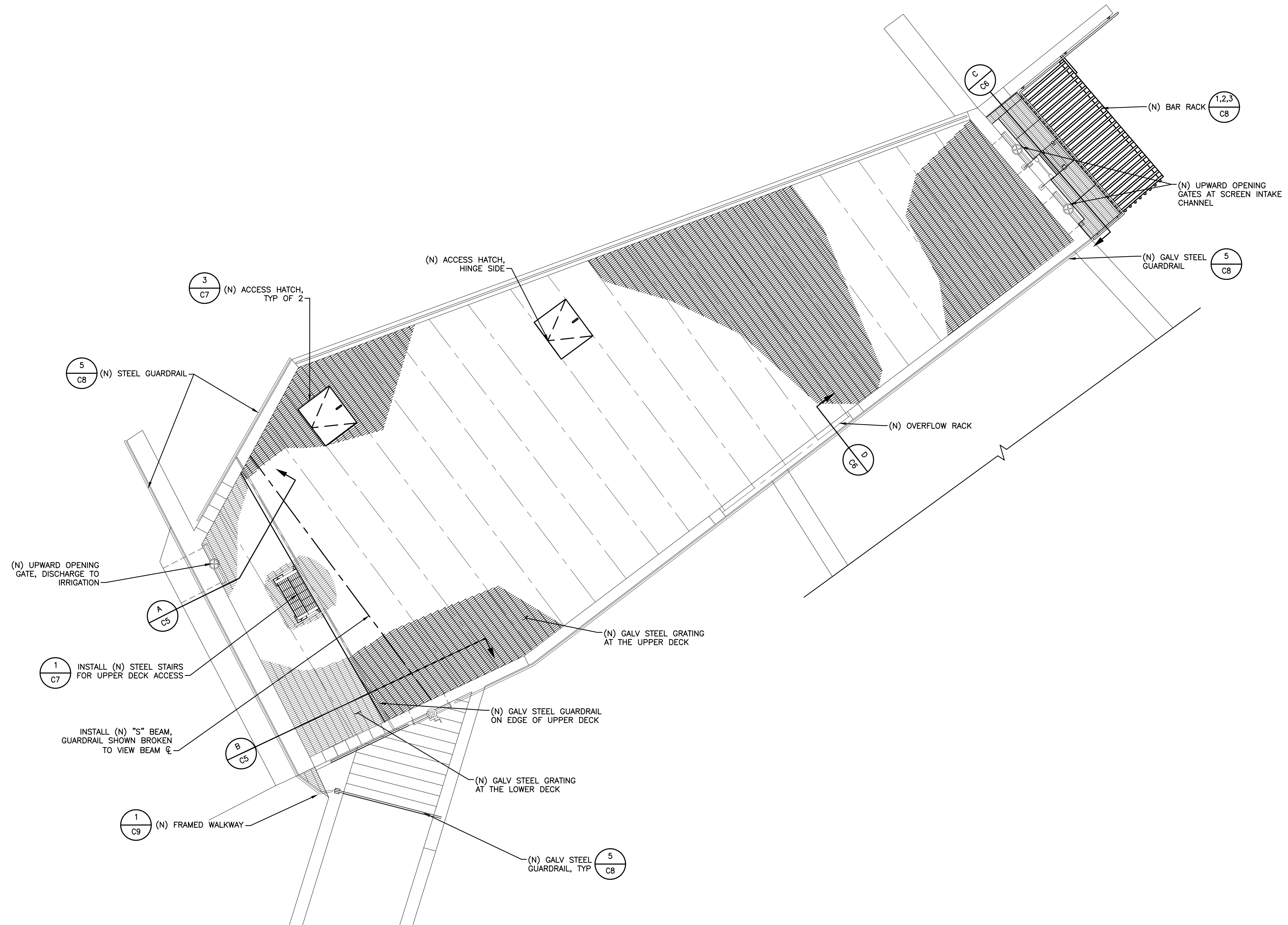


Rancho Murieta
 Community Services District
 15160 Jackson Road, Rancho Murieta
 (916) 354 3700

RANCHO MURIETA COMMUNITY SERVICES
 GRANLEES RAW WATER INTAKE IMPROVEMENTS
LOWER DEMOLITION PLAN

DRAWING NUMBER
C2
 SHEET NUMBER
 4 OF 12

Z:\RM-ONCALL 3-21 to 3-24\RM-033 GRANLEES DIVERSION DESIGN\DRAWINGS\RM033-FBAY PLAN.DWG



REVISIONS				
REV	DESCRIPTION	DATE	BY	CHKD
1	BID SET	02/24	DWH	DWH

WARNING
 0 1"
 AT FULL SCALE
 (IF BAR IS NOT 1" - SCALE ACCORDINGLY)

DESIGNED: D. HEIGHER
 DRAWN: J. CADE
 CHECKED: J. DOMENICHELLI
 DATE: FEBRUARY 2024

DOMENICHELLI & ASSOCIATES
 Domenichelli & Associates
 5180 Golden Foothill Pkwy, Suite 220 Ph: (916) 933-1997
 El Dorado Hills, CA 95762 Fax: (916) 933-4778



Rancho Murieta
 Community Services District
 15160 Jackson Road, Rancho Murieta
 (916) 354 3700

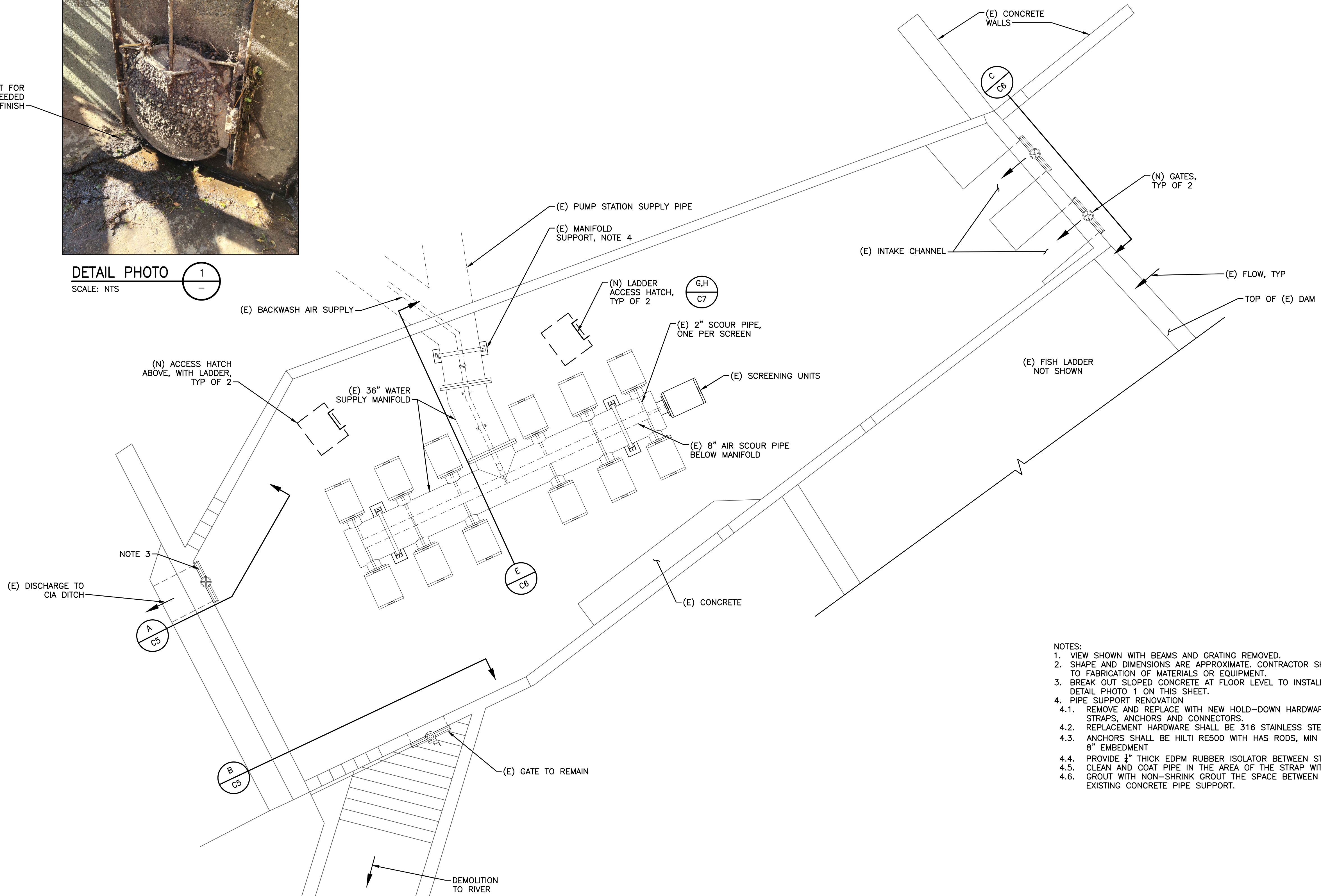
RANCHO MURIETA COMMUNITY SERVICES
 GRANLEES RAW WATER INTAKE IMPROVEMENTS
UPPER RENOVATION PLAN

DRAWING NUMBER
C3
 SHEET NUMBER
 5 OF 12

AREA TO BE CHIPPED OUT FOR NEW GATE, PATCH AS NEEDED TO LEAVE A SMOOTH FINISH



DETAIL PHOTO 1
SCALE: NTS



- NOTES:**
- VIEW SHOWN WITH BEAMS AND GRATING REMOVED.
 - SHAPE AND DIMENSIONS ARE APPROXIMATE. CONTRACTOR SHALL VERIFY PRIOR TO FABRICATION OF MATERIALS OR EQUIPMENT.
 - BREAK OUT SLOPED CONCRETE AT FLOOR LEVEL TO INSTALL NEW GATE. SEE DETAIL PHOTO 1 ON THIS SHEET.
 - PIPE SUPPORT RENOVATION
 - REMOVE AND REPLACE WITH NEW HOLD-DOWN HARDWARE INCLUDING STRAPS, ANCHORS AND CONNECTORS.
 - REPLACEMENT HARDWARE SHALL BE 316 STAINLESS STEEL
 - ANCHORS SHALL BE HILTI RE500 WITH HAS RODS, MIN 3/4" DIAMETER AND 8" EMBEDMENT
 - PROVIDE 1/2" THICK EDPM RUBBER ISOLATOR BETWEEN STRAP AND PIPE.
 - CLEAN AND COAT PIPE IN THE AREA OF THE STRAP WITH EPOXY PAINT.
 - GROUT WITH NON-SHRINK GROUT THE SPACE BETWEEN THE PIPE AND THE EXISTING CONCRETE PIPE SUPPORT.

Z:\RM-ONCALL 3-21 TO 3-24\RM-033 GRANLEES DIVERSION DESIGN\DRAWINGS\RM033-FBAY PLAN.DWG

REVISIONS				
REV	DESCRIPTION	DATE	BY	CHKD
1	BID SET	02/24	DWH	DWH

WARNING

0 1"
AT FULL SCALE
(IF BAR IS NOT 1" - SCALE ACCORDINGLY)

DESIGNED: D. HEIGHER
DRAWN: J. CADE
CHECKED: J. DOMENICHELLI
DATE: FEBRUARY 2024

DOMENICHELLI & ASSOCIATES

Domenichelli & Associates
5180 Golden Foothill Pkwy, Suite 220 Ph: (916) 933-1997
El Dorado Hills, CA 95762 Fax: (916) 933-4778



Rancho Murieta
Community Services District

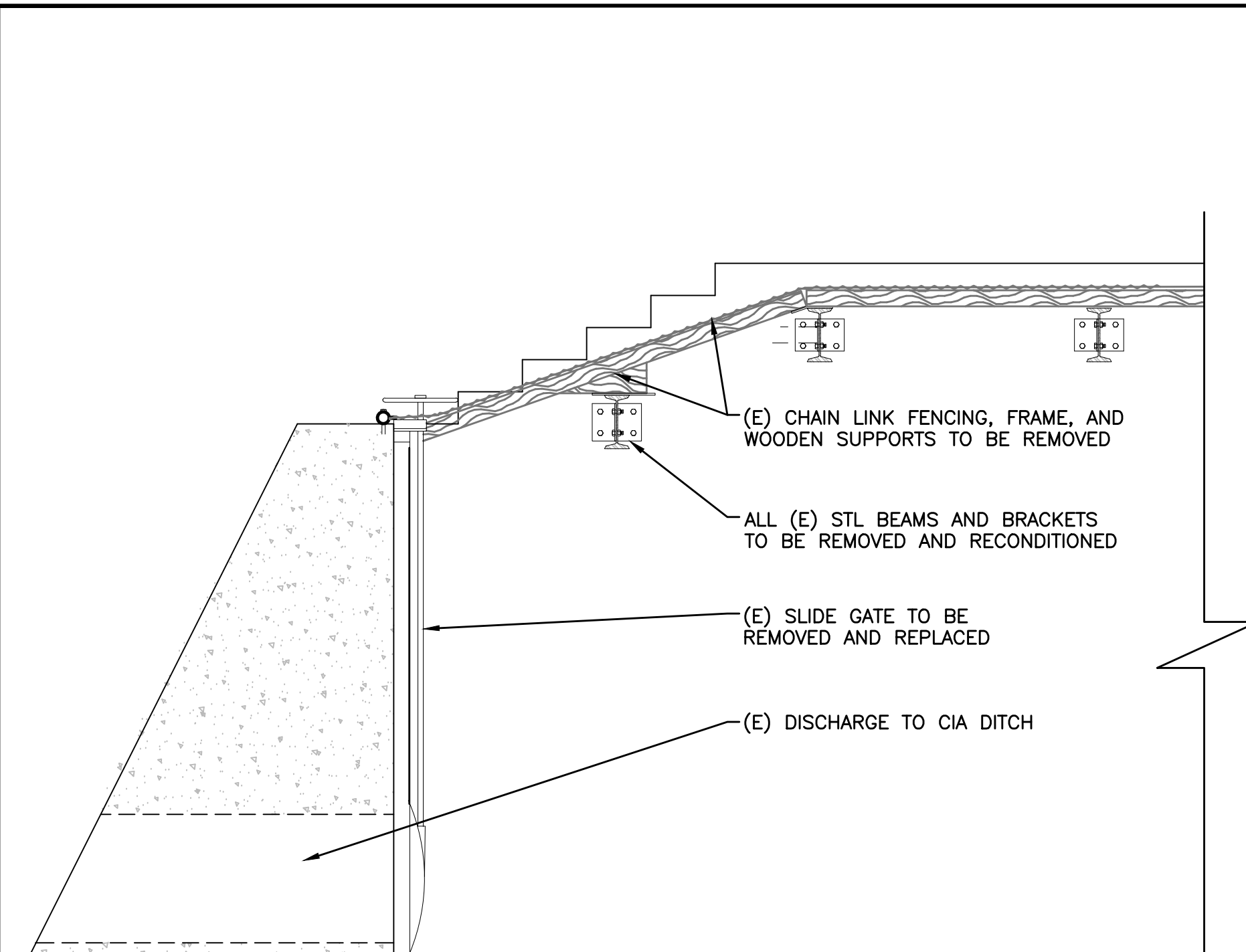
15160 Jackson Road, Rancho Murieta
(916) 354 3700

RANCHO MURIETA COMMUNITY SERVICES
GRANLEES RAW WATER INTAKE IMPROVEMENTS

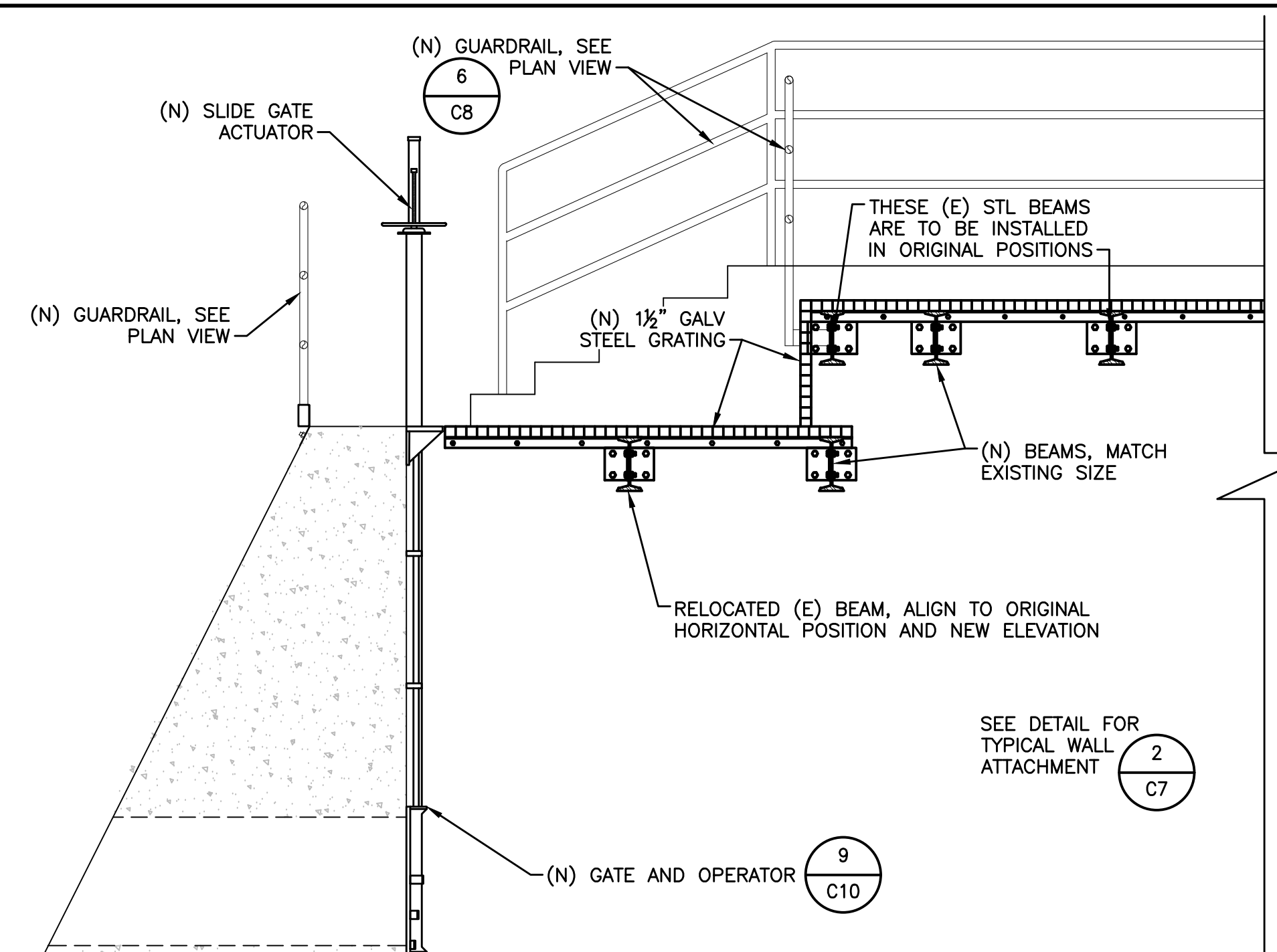
LOWER RENOVATION PLAN

DRAWING NUMBER
C4

SHEET NUMBER
6 OF 12



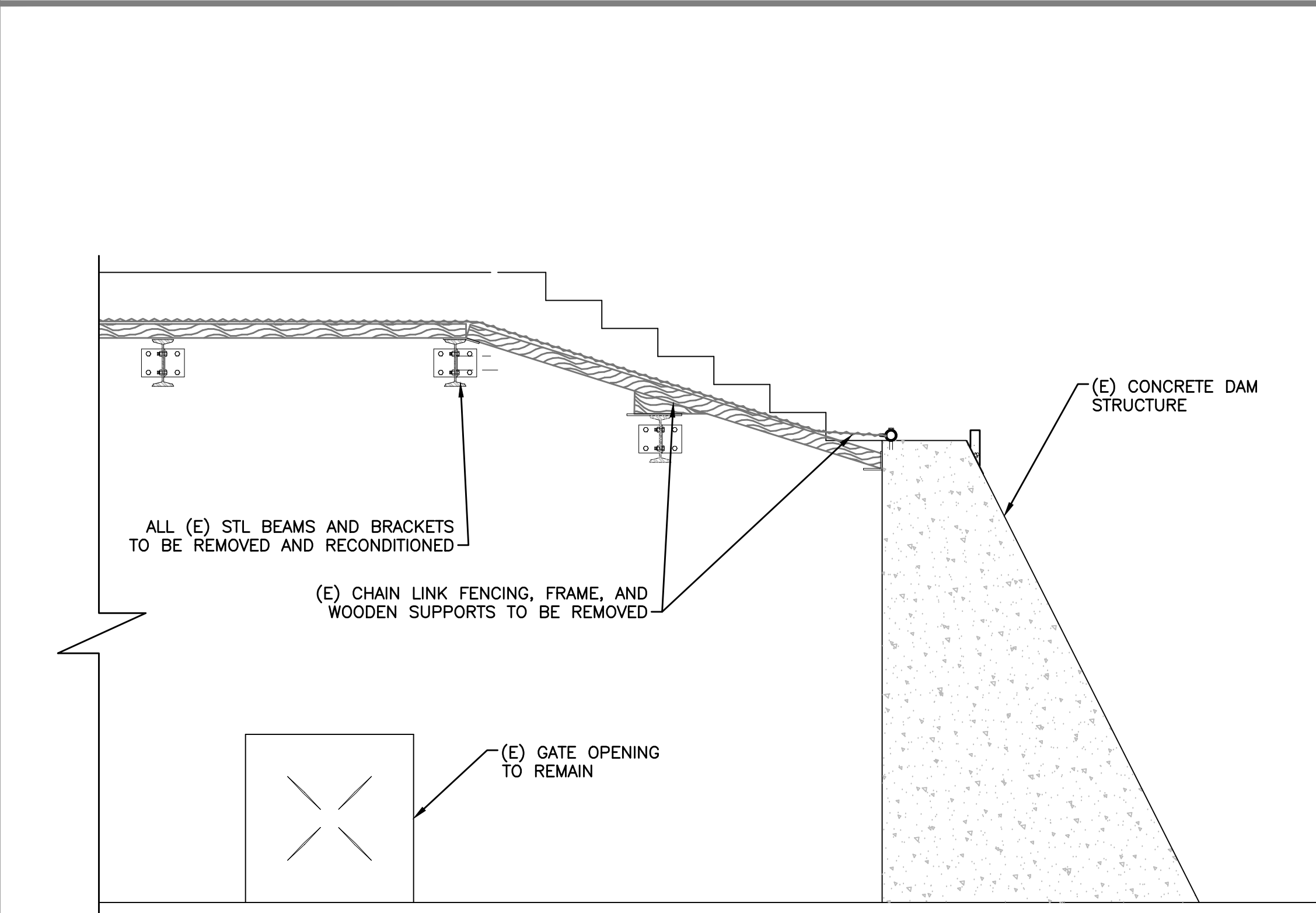
DEMOLITION



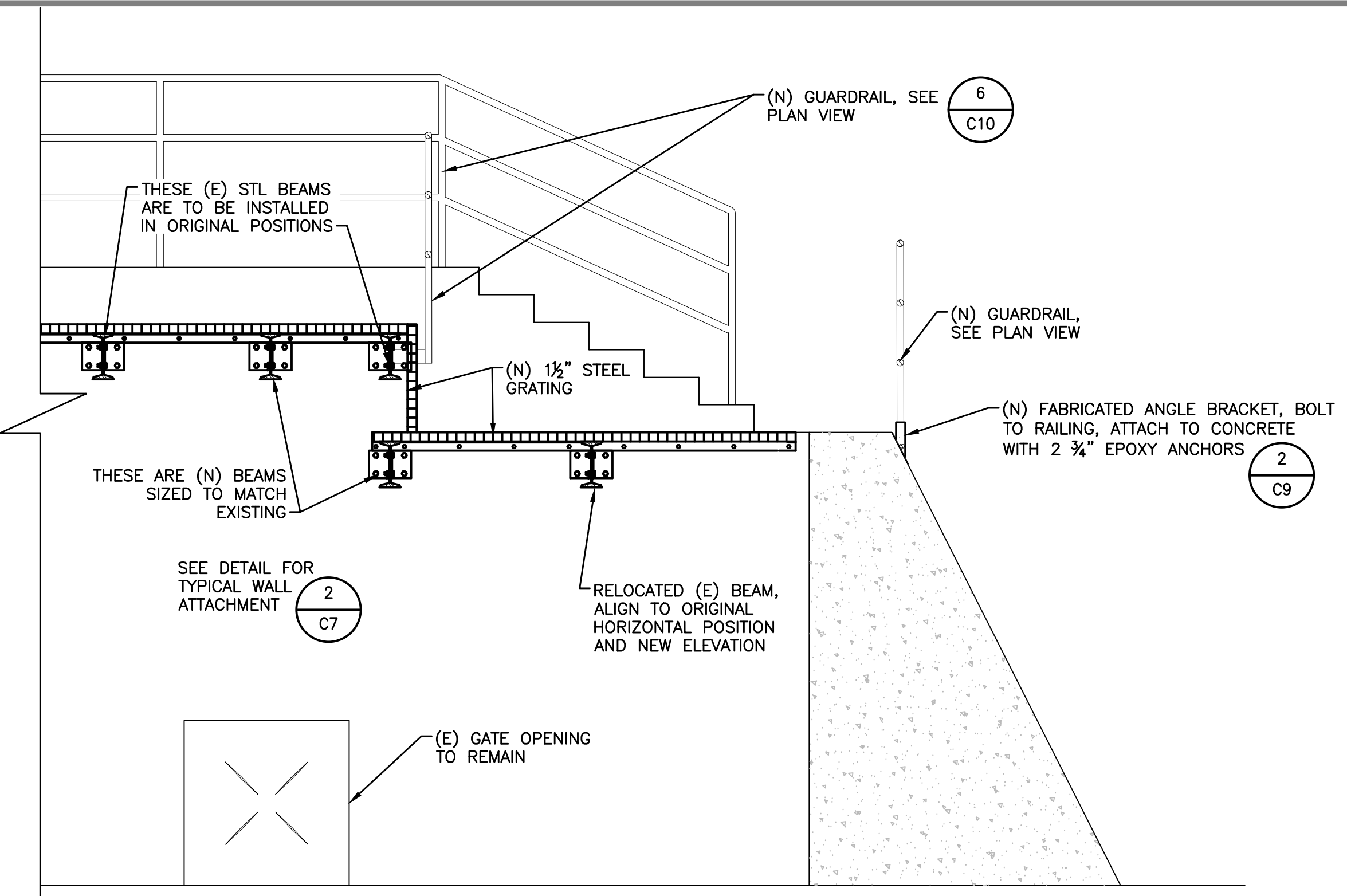
RENOVATION

NOTES:
1. EXISTING STEEL BEAMS TO BE REMOVED, ABRASIVE BLASTED AND RECOATED. REINSTALL BEAMS AND BRACKETS IN THEIR ORIGINAL LOCATIONS.

SECTION DEMO A
SCALE: 1/2" = 1'-0" C1-C4



DEMOLITION



RENOVATION

SECTION B
SCALE: 1/2" = 1'-0" C1-C4

Z:\RM-ONCALL 3-21 TO 3-24\RM-033 GRANLEES DIVERSION DESIGN\DRAWINGS\RM033-FBAY PLAN.DWG

REVISIONS				
REV	DESCRIPTION	DATE	BY	CHKD
1	BID SET	02/24	DWH	DWH

WARNING
0 1"
AT FULL SCALE
(IF BAR IS NOT 1" - SCALE ACCORDINGLY)

DESIGNED: D. HEIGHER
DRAWN: J. CADE
CHECKED: J. DOMENICHELLI
DATE: FEBRUARY 2024

DOMENICHELLI & ASSOCIATES
Domenicelli & Associates
5180 Golden Foothill Pkwy, Suite 220 Ph: (916) 933-1997
El Dorado Hills, CA 95762 Fax: (916) 933-4778



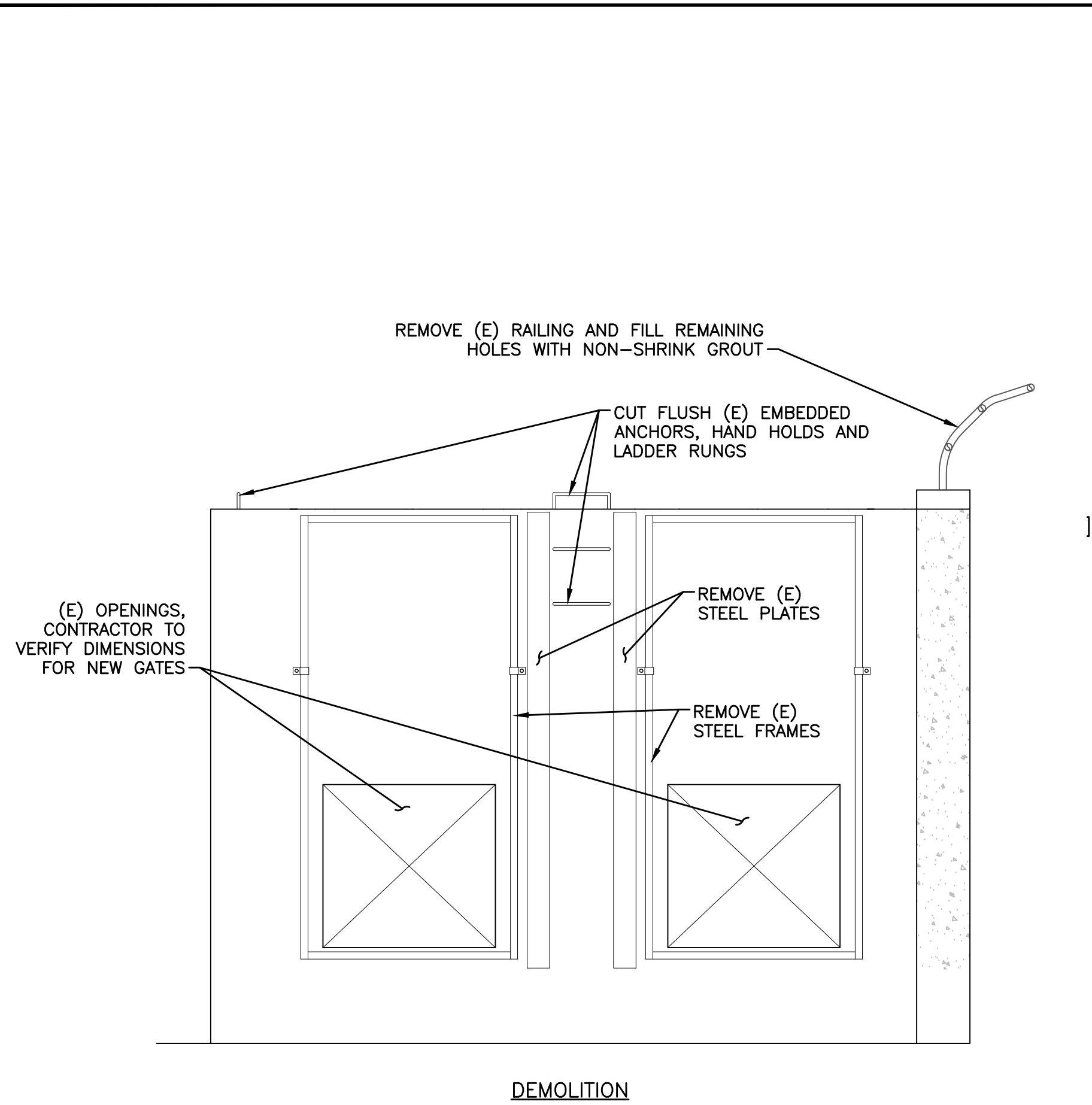
Rancho Murieta
Community Services District
15160 Jackson Road, Rancho Murieta
(916) 354 3700

RANCHO MURIETA COMMUNITY SERVICES
GRANLEES RAW WATER INTAKE IMPROVEMENTS

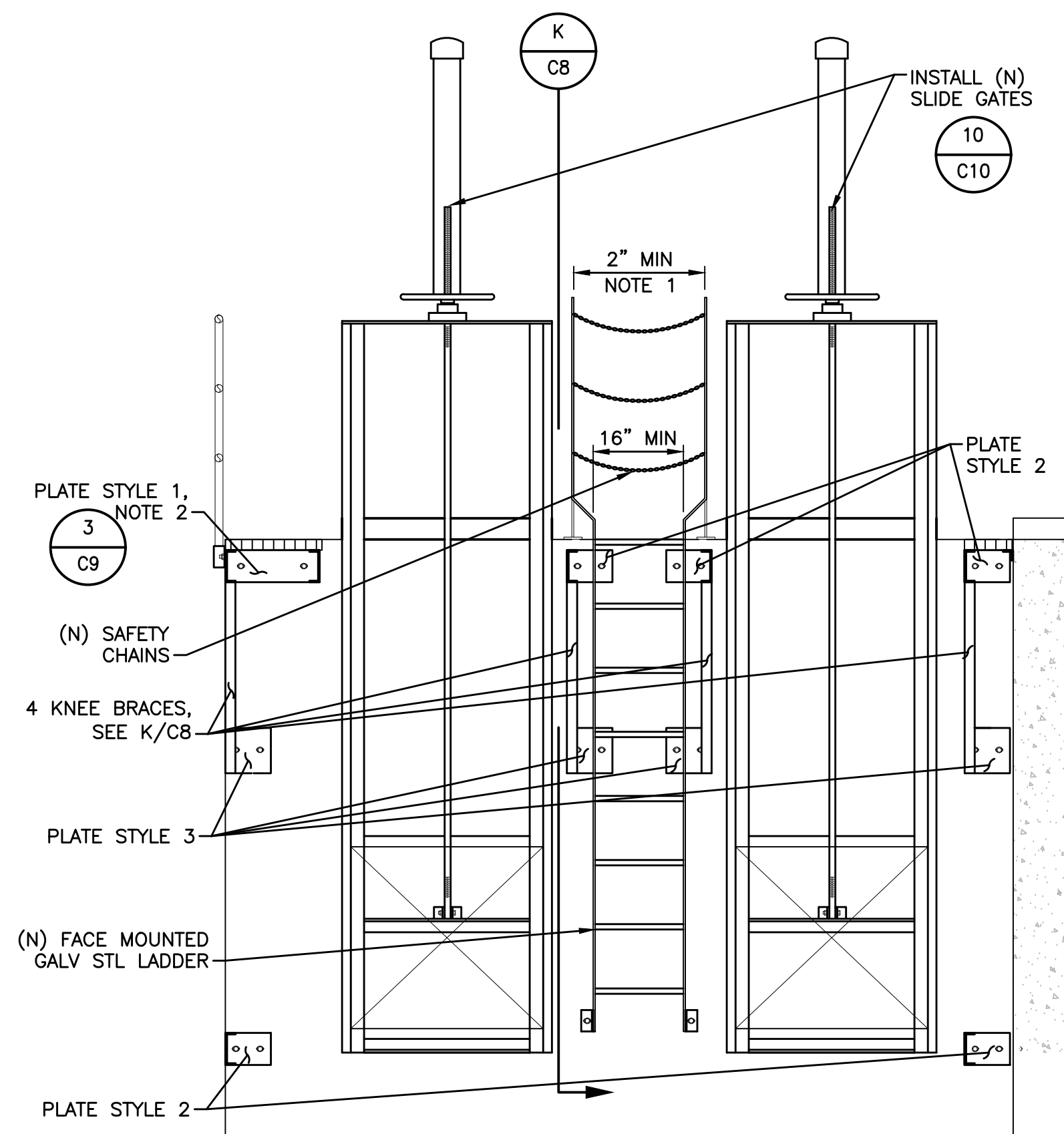
SECTIONS & DETAILS 1

DRAWING NUMBER
C5

SHEET NUMBER
7 OF 12



DEMOLITION

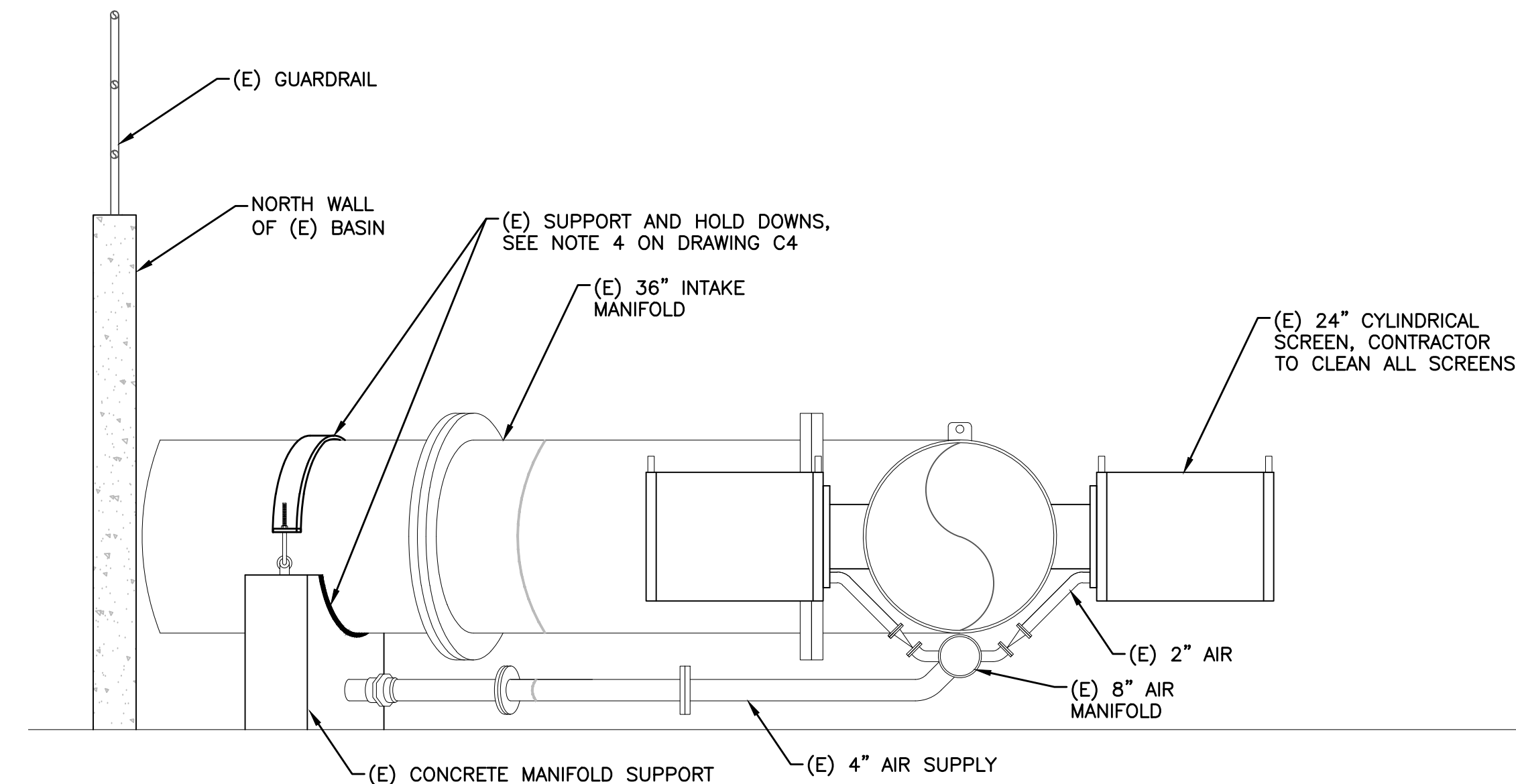


RENOVATION

SECTION C
SCALE: 1/2" = 1'-0"

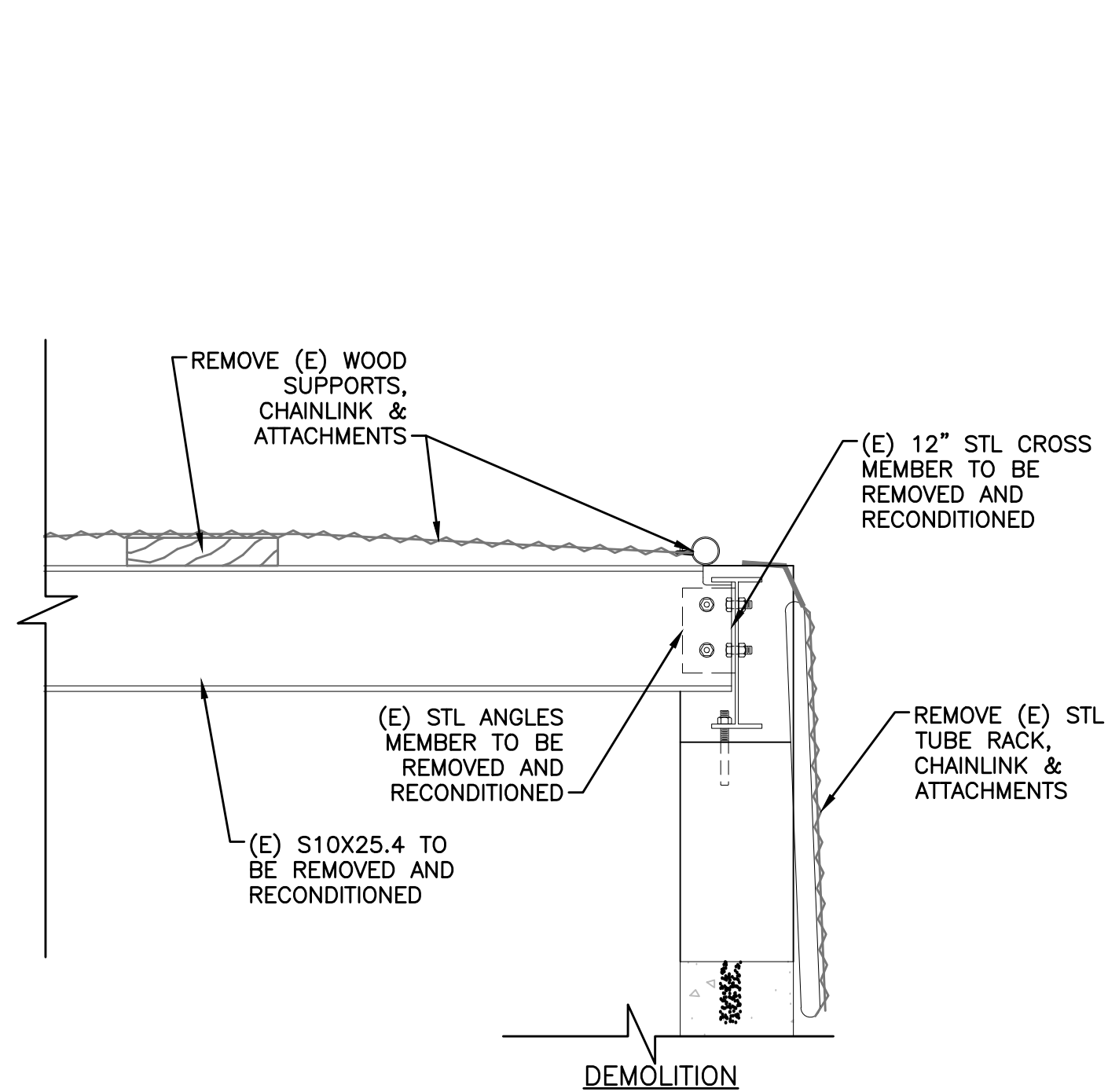
NOTES:

- FIELD VERIFY DIMENSIONS OF THE LADDER AND CLEARANCES BASED ON NEW SLIDE GATE DIMENSIONS.
- SEE DETAIL 3/C9 FOR ALL INTAKE RACK MOUNTING PLATE STYLES.

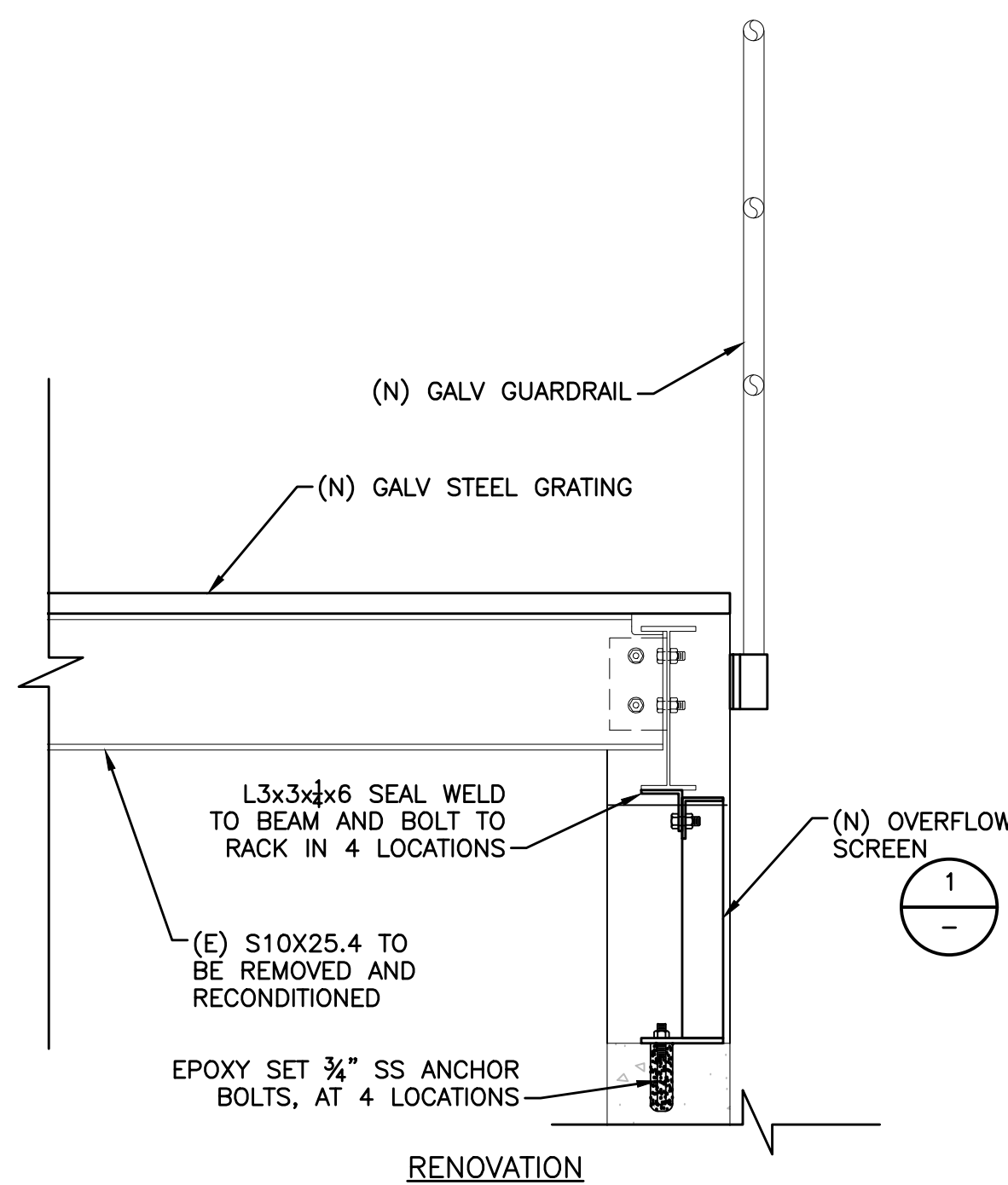


SCREENING MANIFOLD SECTION E
SCALE: 1/2" = 1'-0"

C2,C4



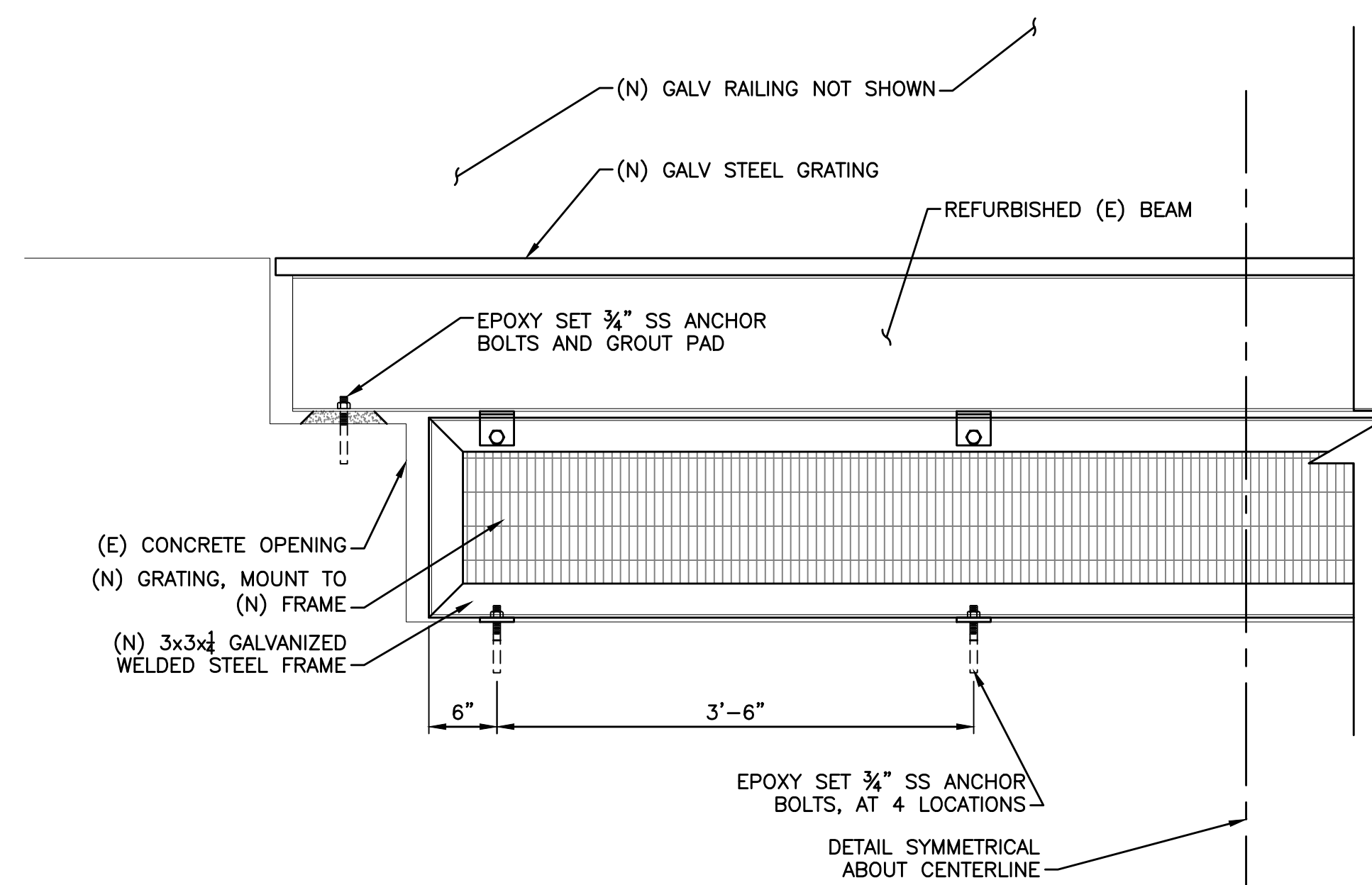
DEMOLITION



RENOVATION

SECTION D
SCALE: 1" = 1'-0"

C1,C2



OVERFLOW SCREEN DETAIL 1
SCALE: 1" = 1'-0"

C1

Z:\RM-ONCALL 3-21 TO 3-24\RM-033 GRANLEES DIVERSION DESIGN\DRAWINGS\RM033-FBAY PLAN.DWG

REVISIONS				
REV	DESCRIPTION	DATE	BY	CHKD
1	BID SET	02/24	DWH	DWH

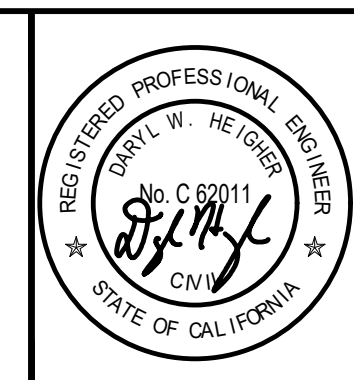
WARNING

0 1"
AT FULL SCALE
(IF BAR IS NOT 1" - SCALE ACCORDINGLY)

DESIGNED: D. HEIGHER
DRAWN: J. CADE
CHECKED: J. DOMENICHELLI
DATE: FEBRUARY 2024

DOMENICHELLI & ASSOCIATES

Domenicelli & Associates
5180 Golden Foothill Pkwy, Suite 220 Ph: (916) 933-1997
El Dorado Hills, CA 95762 Fax: (916) 933-4778



Rancho Murieta
Community Services District

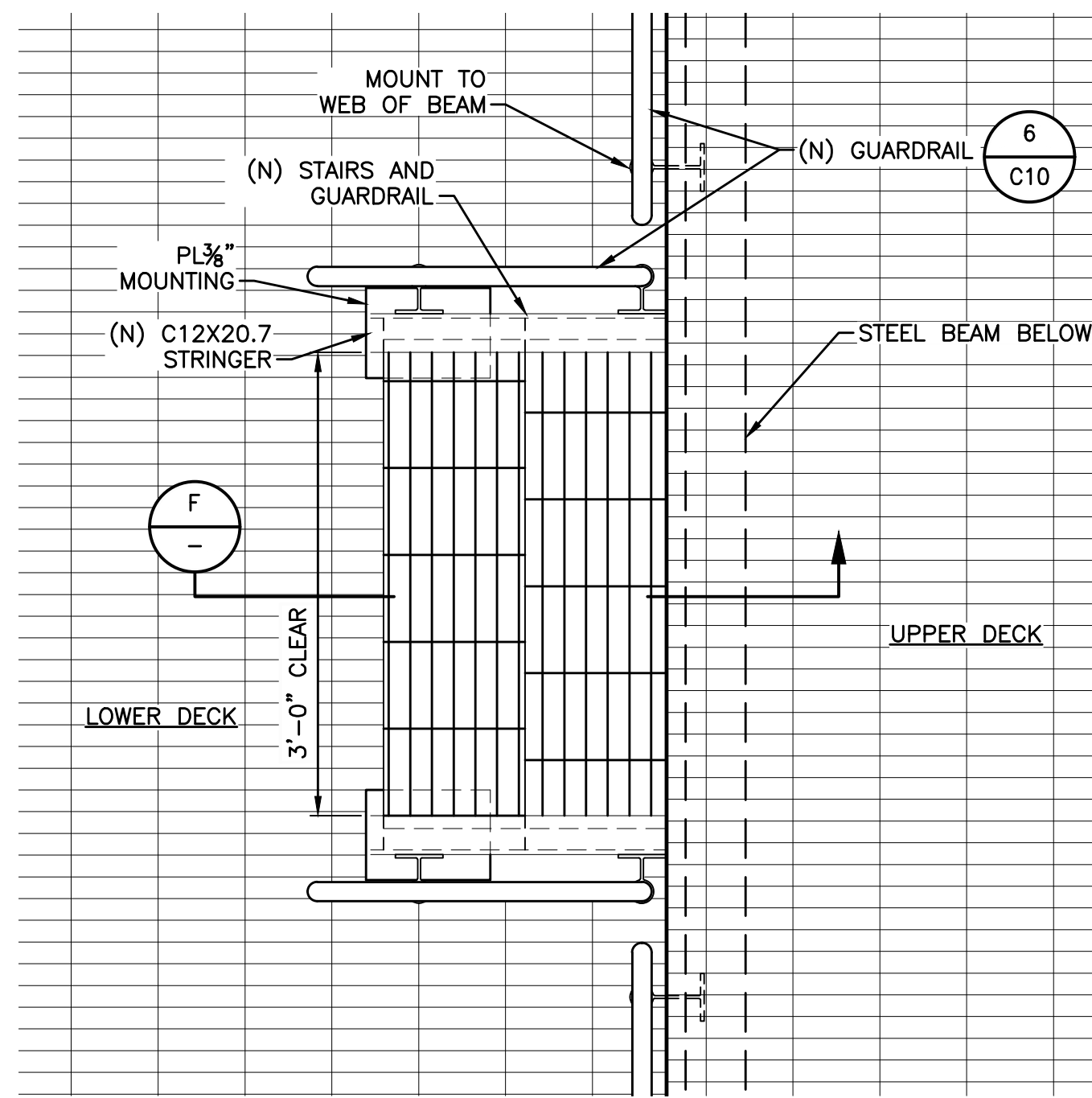
15160 Jackson Road, Rancho Murieta
(916) 354 3700

RANCHO MURIETA COMMUNITY SERVICES
GRANLEES RAW WATER INTAKE IMPROVEMENTS

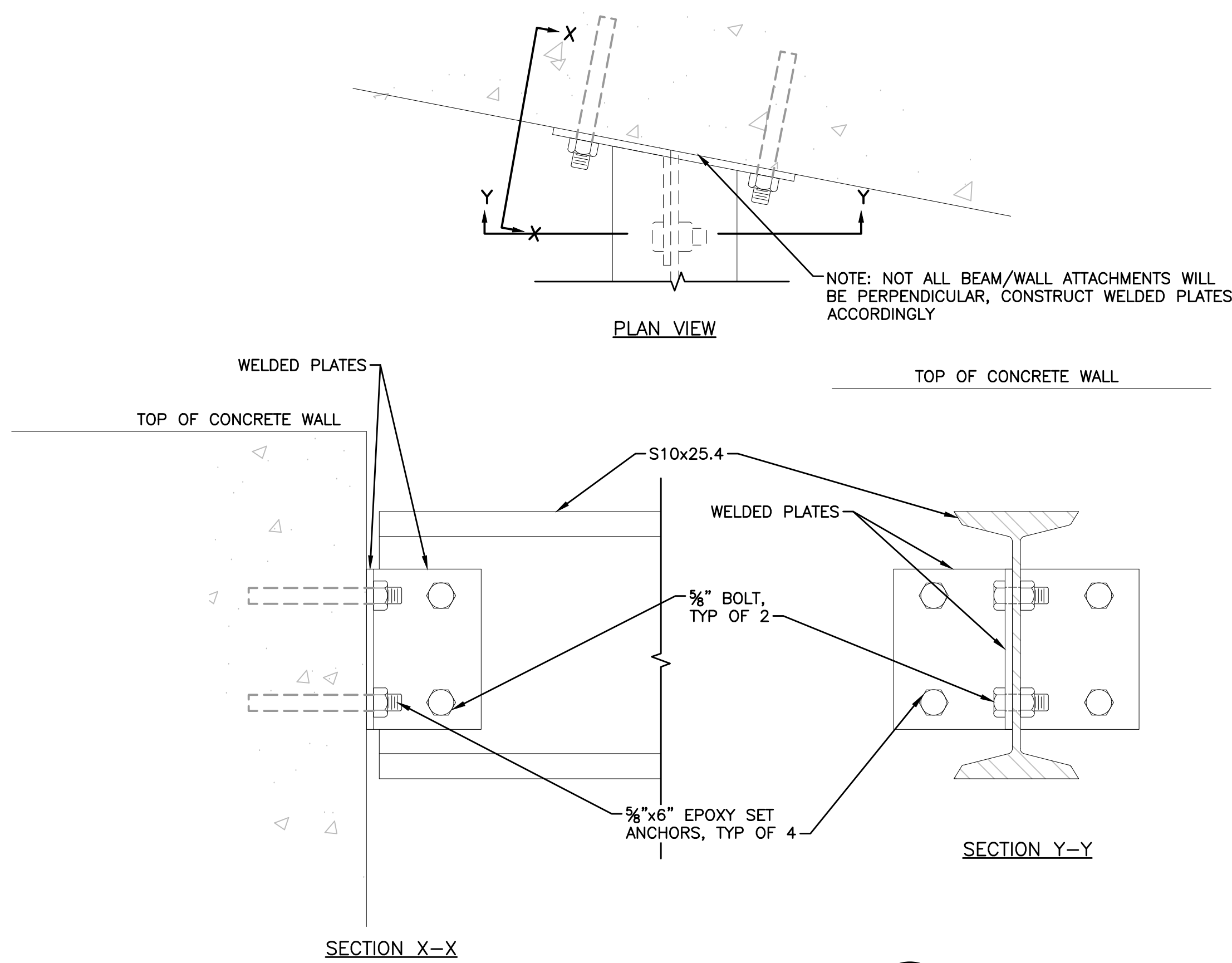
SECTIONS & DETAILS 2

DRAWING NUMBER	C6
SHEET NUMBER	8 OF 12

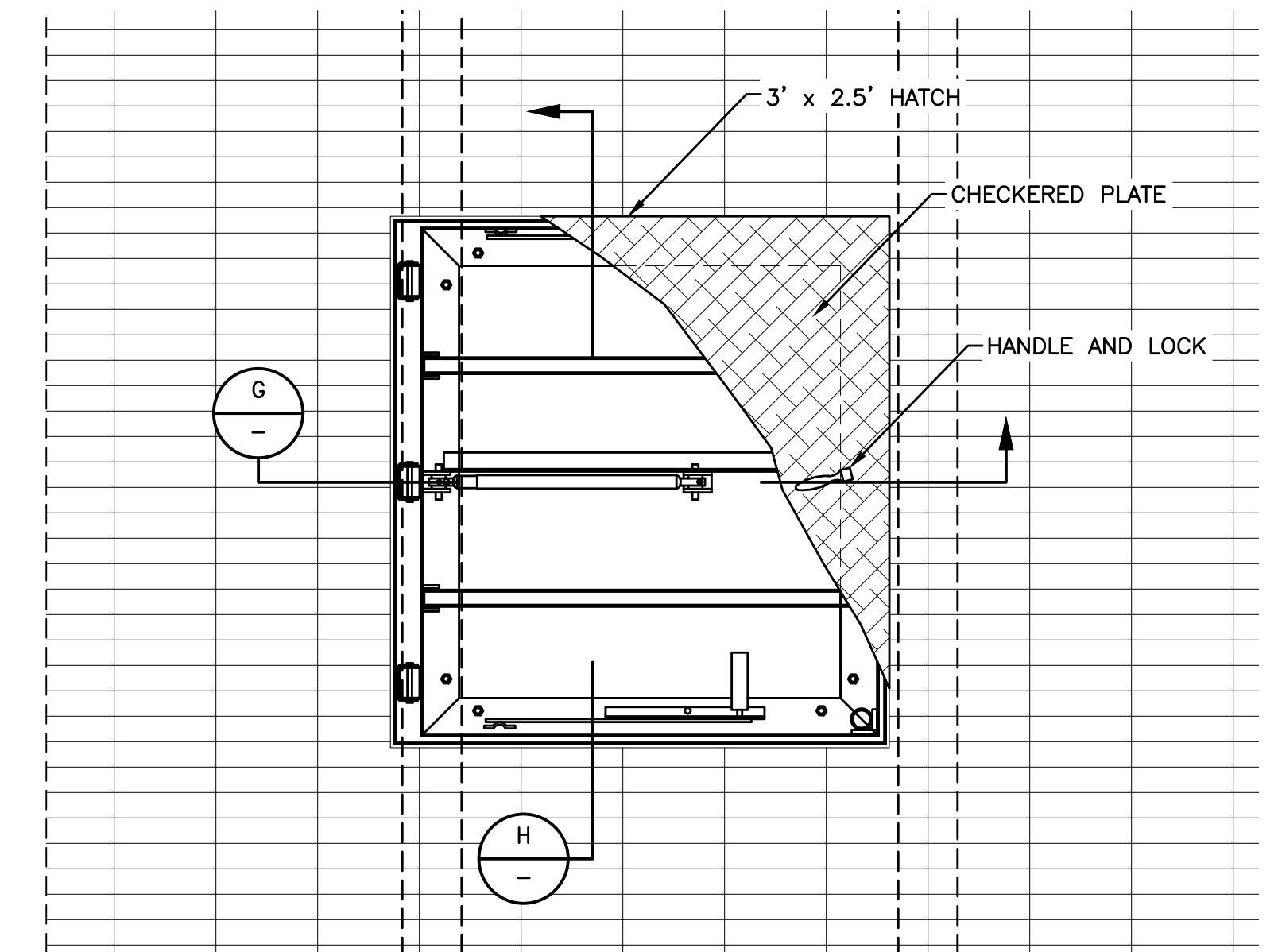
Z:\RM-ONCALL 3-21 TO 3-24\RM-033 GRANLEES DIVERSION DESIGN\DRAWINGS\RM033-FBAY PLAN.DWG



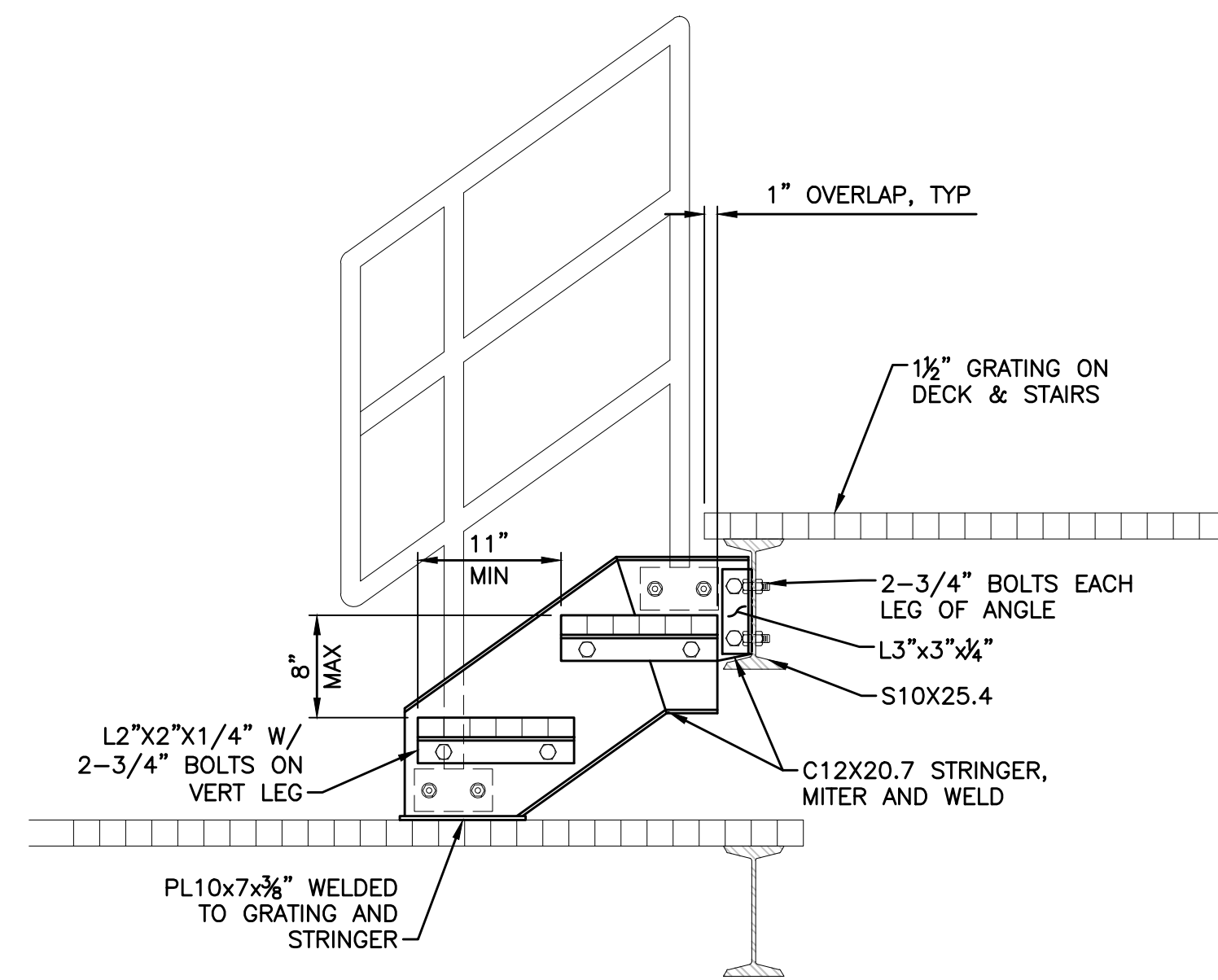
STAIR PLAN
SCALE: 1" = 1'-0"
1
C3



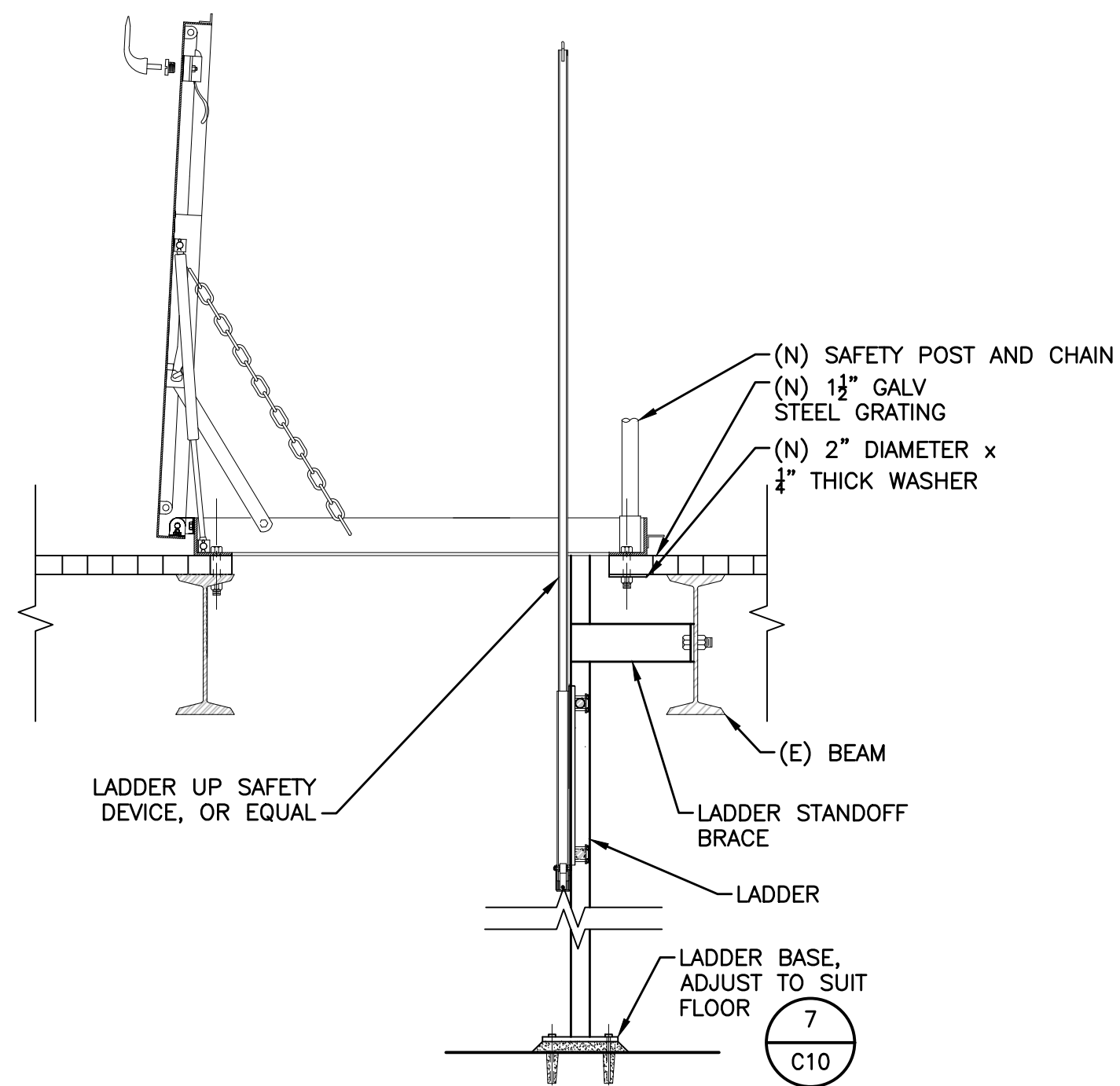
BEAM CONNECTION DETAIL
SCALE: 3" = 1'-0"
2
C5



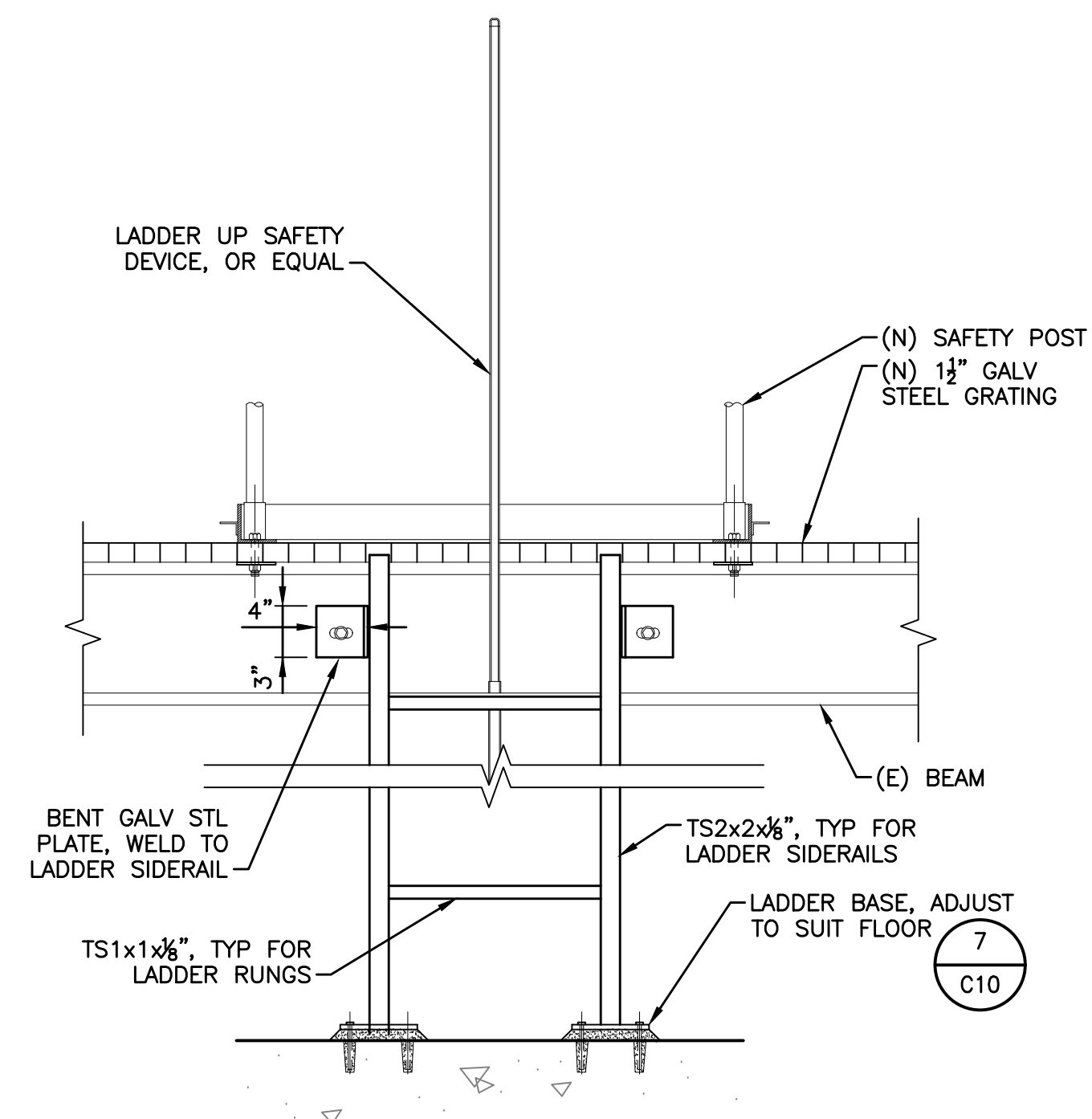
HATCH DETAIL PLAN
SCALE: 1" = 1'-0"
3
C3



STAIR SECTION
SCALE: 1" = 1'-0"
F



ACCESS HATCH SECTION G
SCALE: 1" = 1'-0"
G



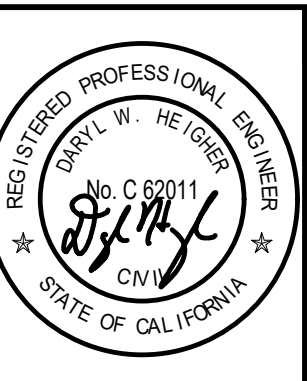
ACCESS HATCH SECTION H
SCALE: 1" = 1'-0"
H

REVISIONS				
REV	DESCRIPTION	DATE	BY	CHKD
1	BID SET	02/24	DWH	DWH

WARNING
0 1"
AT FULL SCALE
(IF BAR IS NOT 1" - SCALE ACCORDINGLY)

DESIGNED: D. HEIGHER
DRAWN: J. CADE
CHECKED: J. DOMENICHELLI
DATE: FEBRUARY 2024

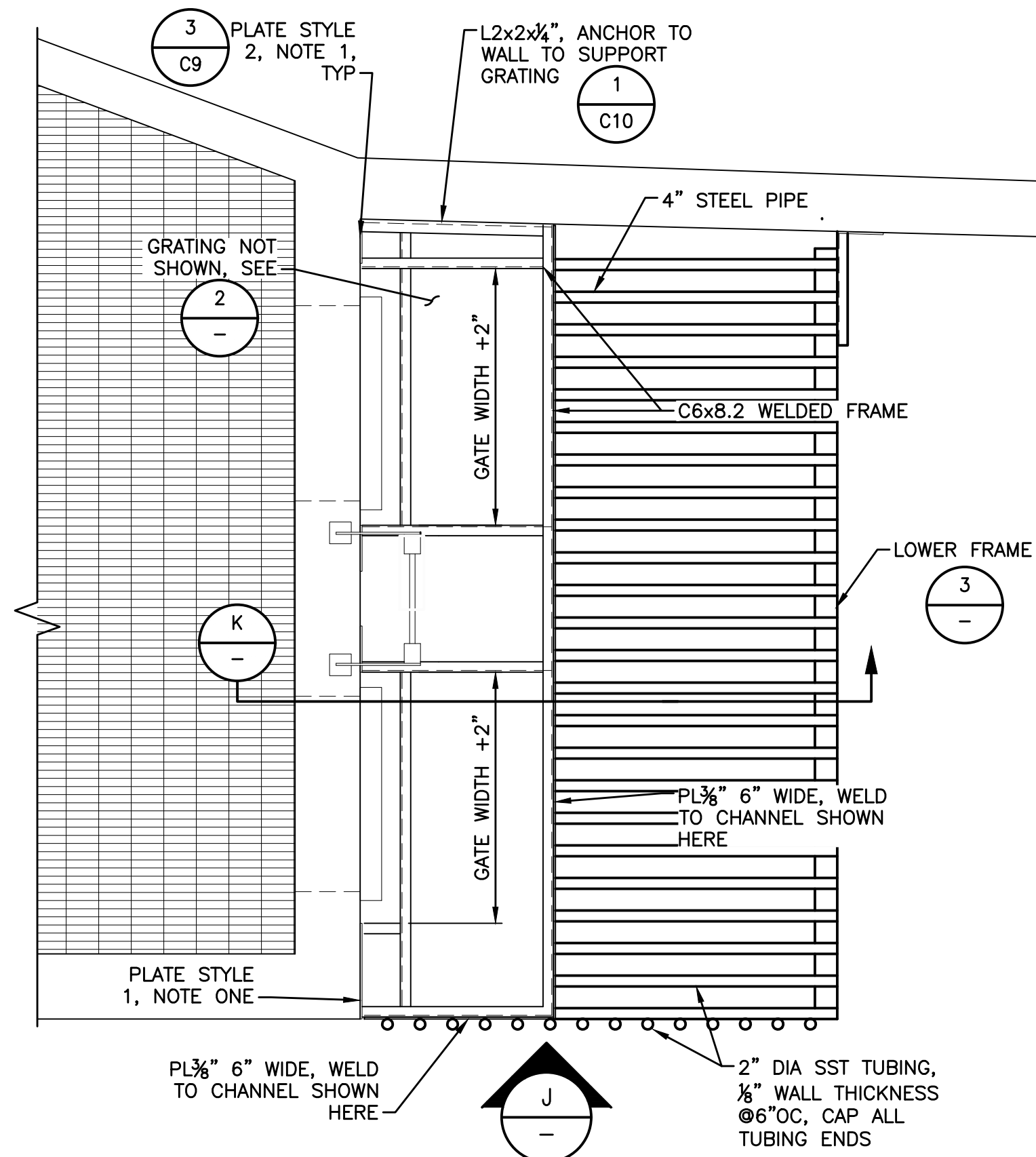
DOMENICHELLI & ASSOCIATES
Domenicelli & Associates
5180 Golden Foothill Pkwy, Suite 220 Ph: (916) 933-1997
El Dorado Hills, CA 95762 Fax: (916) 933-4778



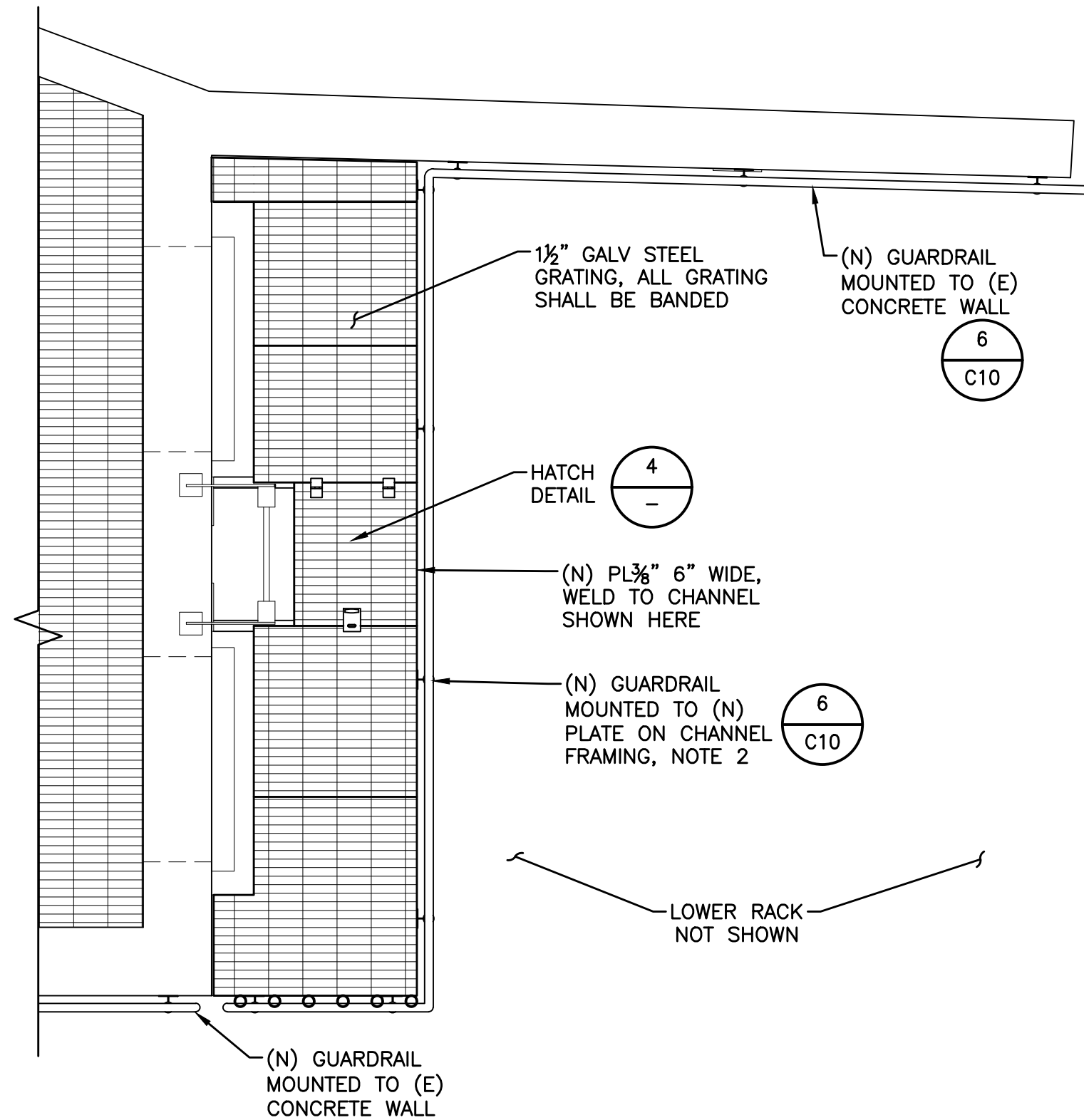
Rancho Murieta
Community Services District
15160 Jackson Road, Rancho Murieta
(916) 354 3700

RANCHO MURIETA COMMUNITY SERVICES
GRANLEES RAW WATER INTAKE IMPROVEMENTS
SECTIONS & DETAILS 3

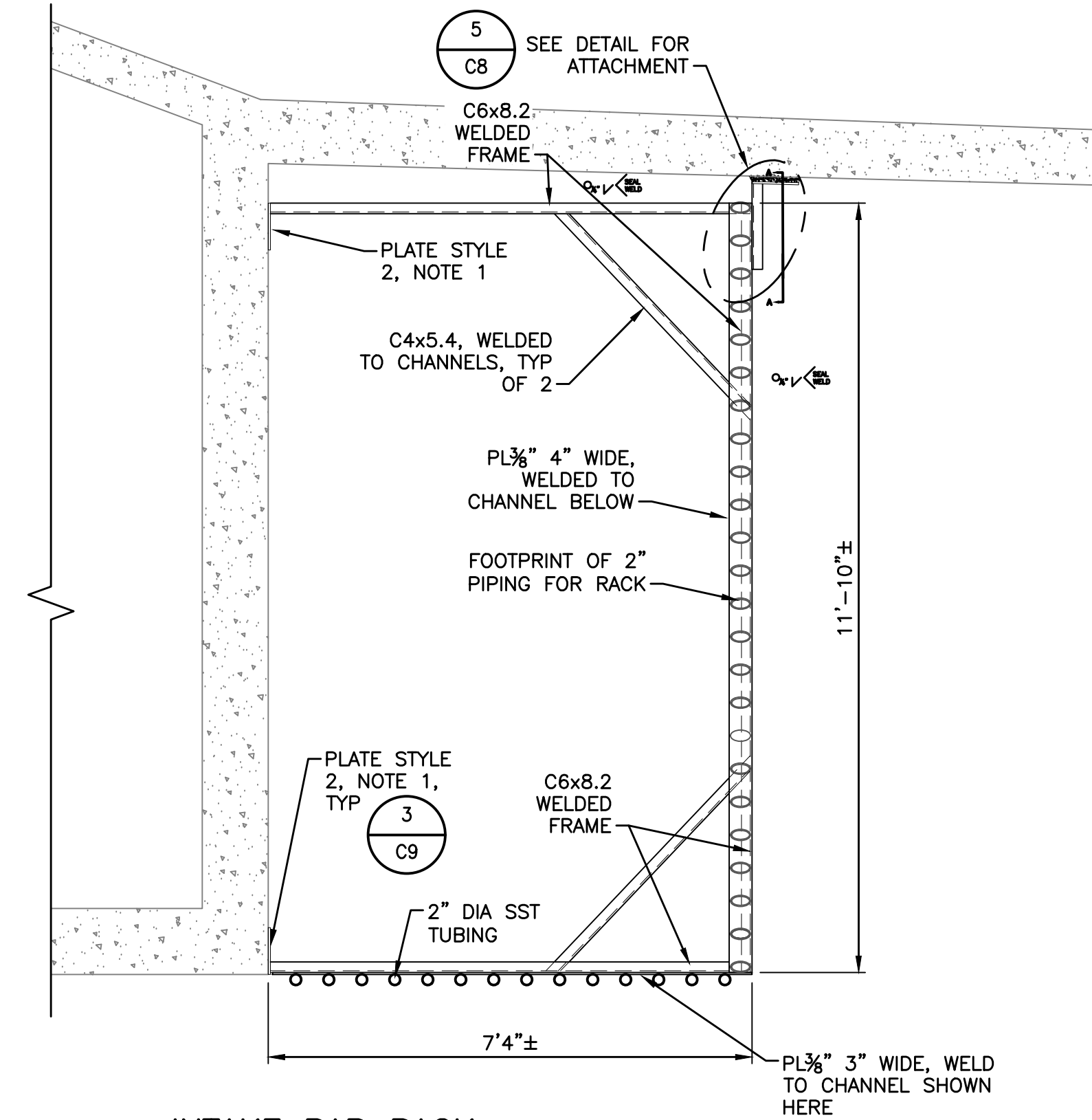
DRAWING NUMBER
C7
SHEET NUMBER
9 OF 12



INTAKE RACK PLAN & UPPER DECK FRAMING LAYOUT
SCALE: 1/2" = 1'-0"

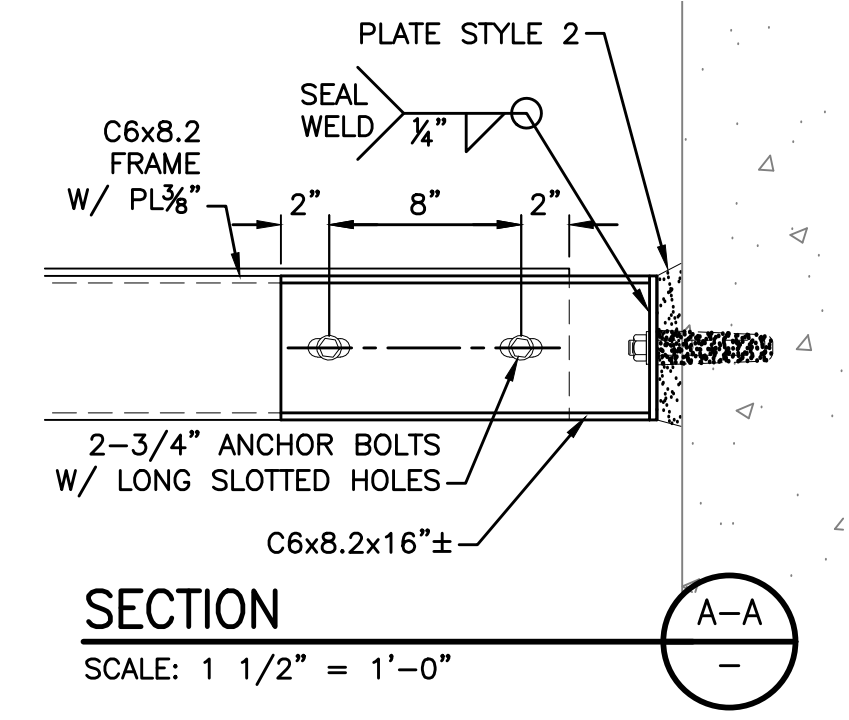


INTAKE DECK GRATING PLAN & GUARDRAIL LAYOUT
SCALE: 1" = 1'-0"

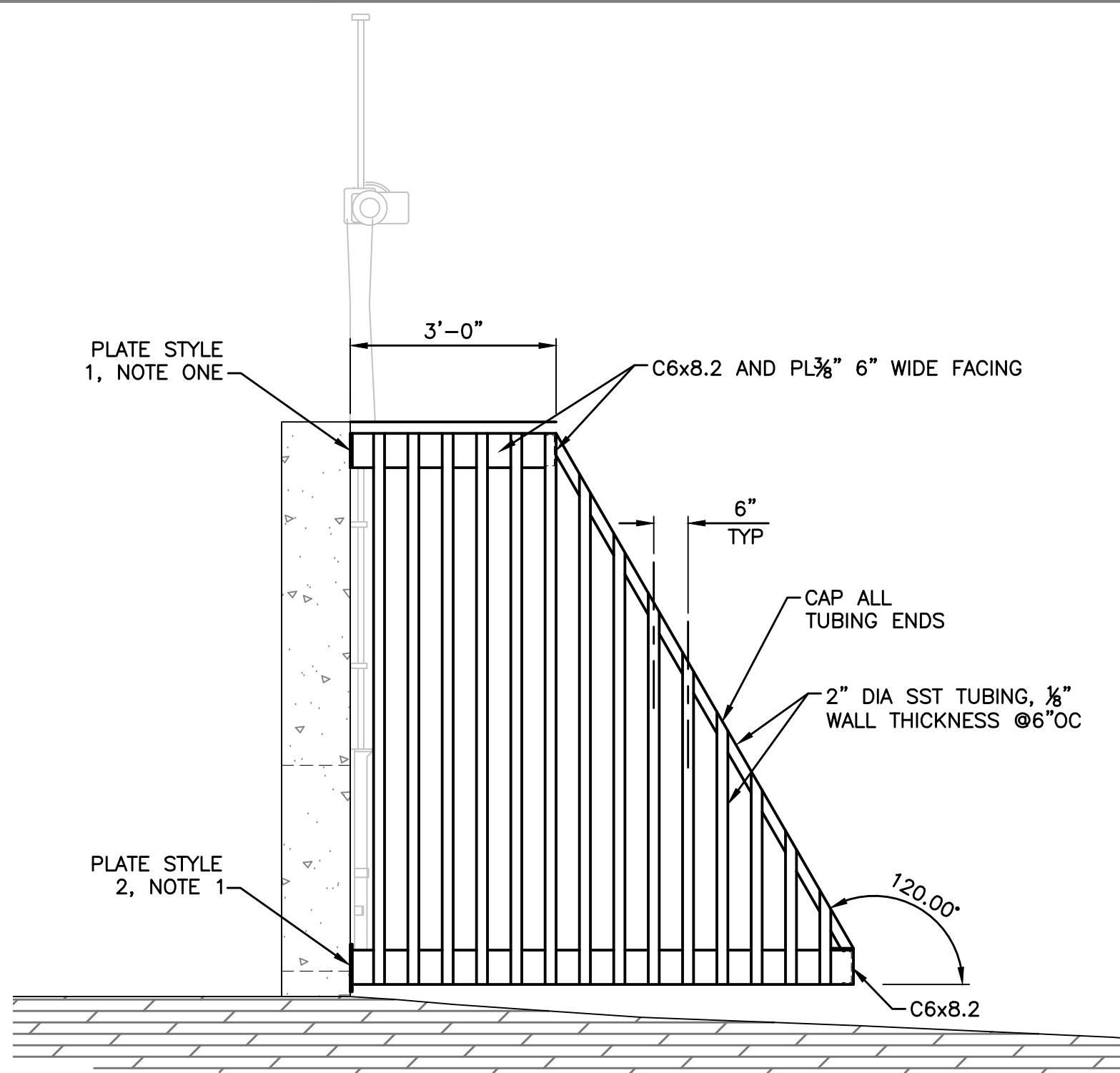


INTAKE BAR RACK LOWER FRAMING LAYOUT
SCALE: 1" = 1'-0"

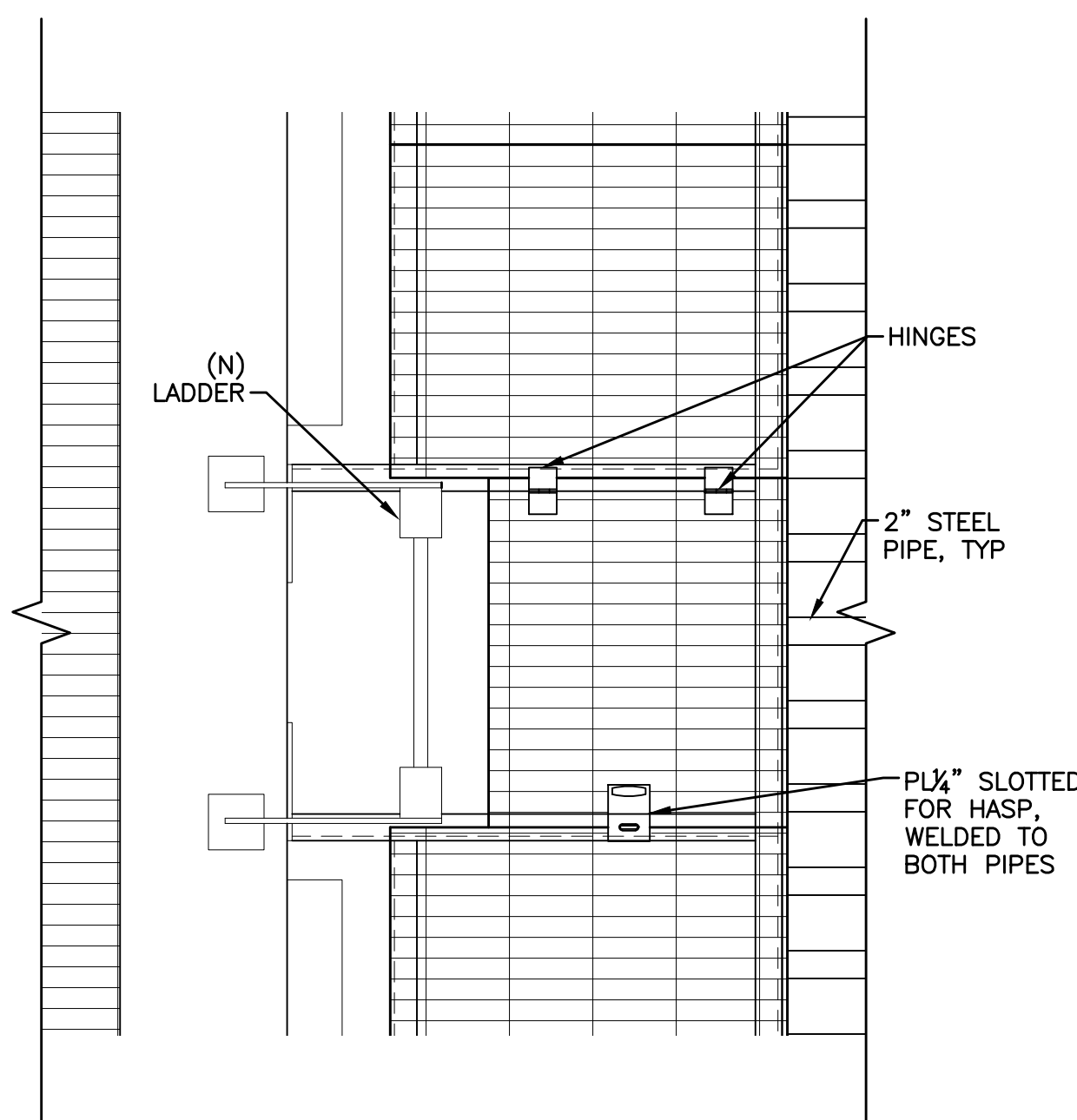
NOTES:
1. SEE DETAIL 3/C9 FOR ALL INTAKE RACK MOUNTING PLATE STYLES.
2. PLACE RAIL MOUNTINGS TO ACCOMMODATE THE INTAKE RACK PIPES.



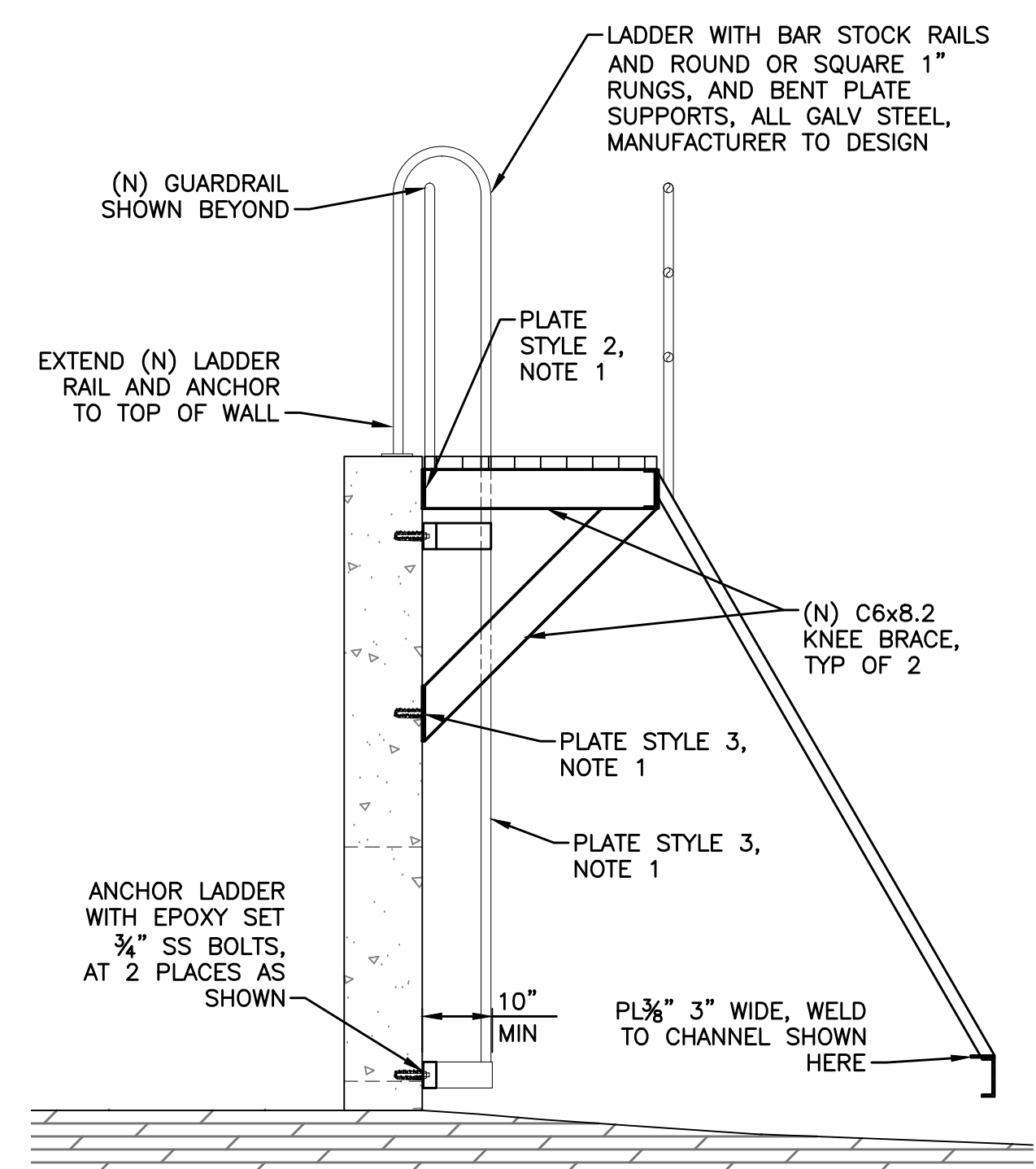
SECTION A-A
SCALE: 1 1/2" = 1'-0"



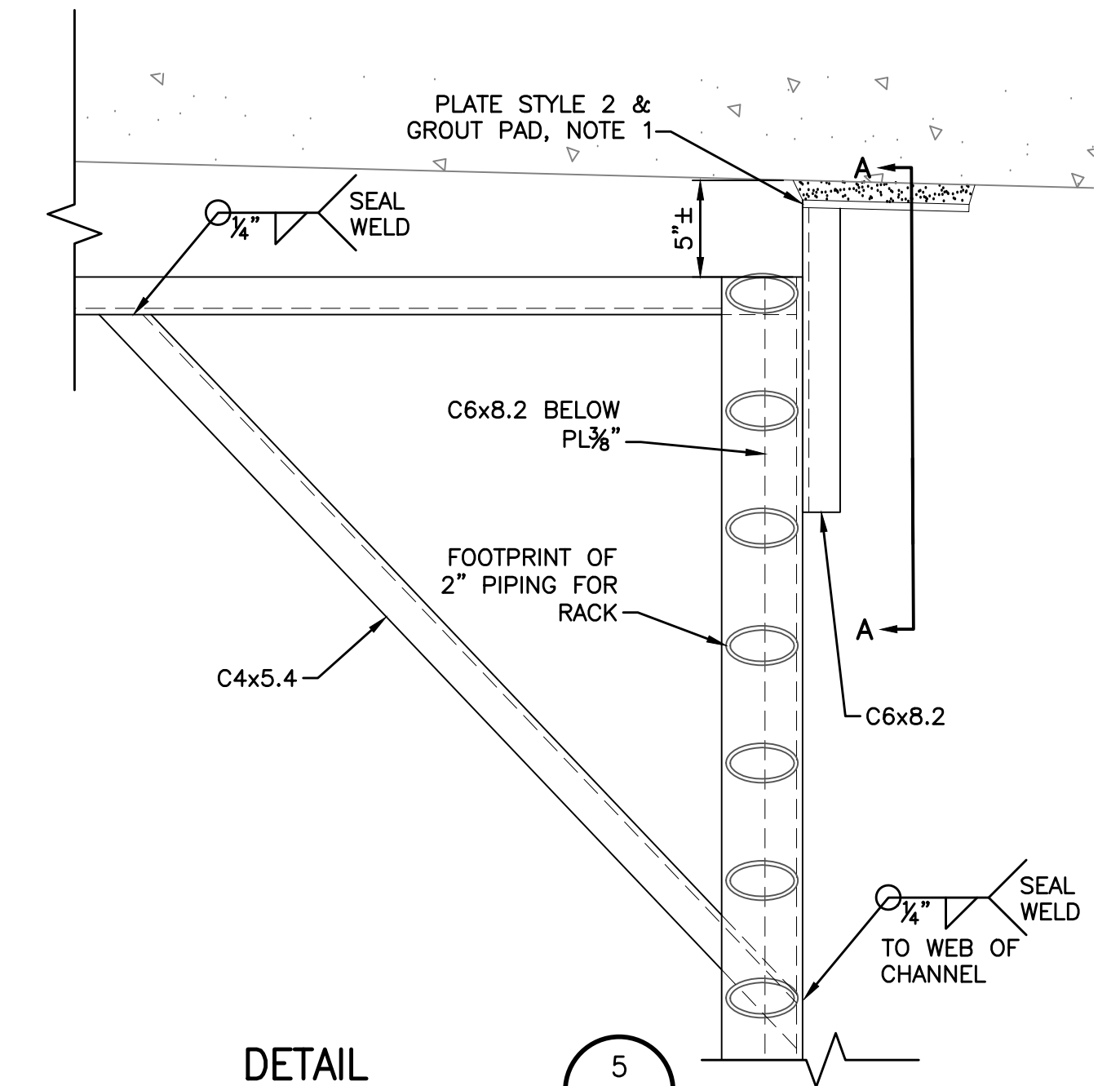
ELEVATION J
SCALE: 1/2" = 1'-0"



INTAKE RACK ACCESS HATCH 4
SCALE: 1" = 1'-0"



SECTION K
SCALE: 1/2" = 1'-0"



DETAIL 5
SCALE: 1 1/2" = 1'-0"

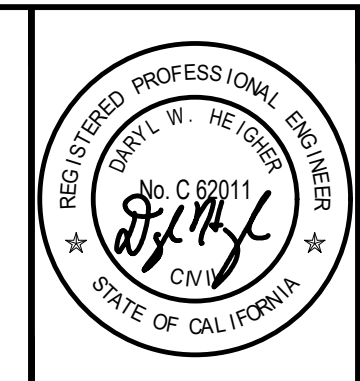
Z:\RM-ONCALL 3-21 TO 3-24\RM-033 GRANLEES DIVERSION DESIGN\DRAWINGS\RM033-FBAY PLAN.DWG

REVISIONS				
REV	DESCRIPTION	DATE	BY	CHKD
1	BID SET	02/24	DWH	DWH

WARNING
0 1"
AT FULL SCALE
(IF BAR IS NOT 1" - SCALE ACCORDINGLY)

DESIGNED: D. HEIGHER
DRAWN: J. CADE
CHECKED: J. DOMENICHELLI
DATE: FEBRUARY 2024

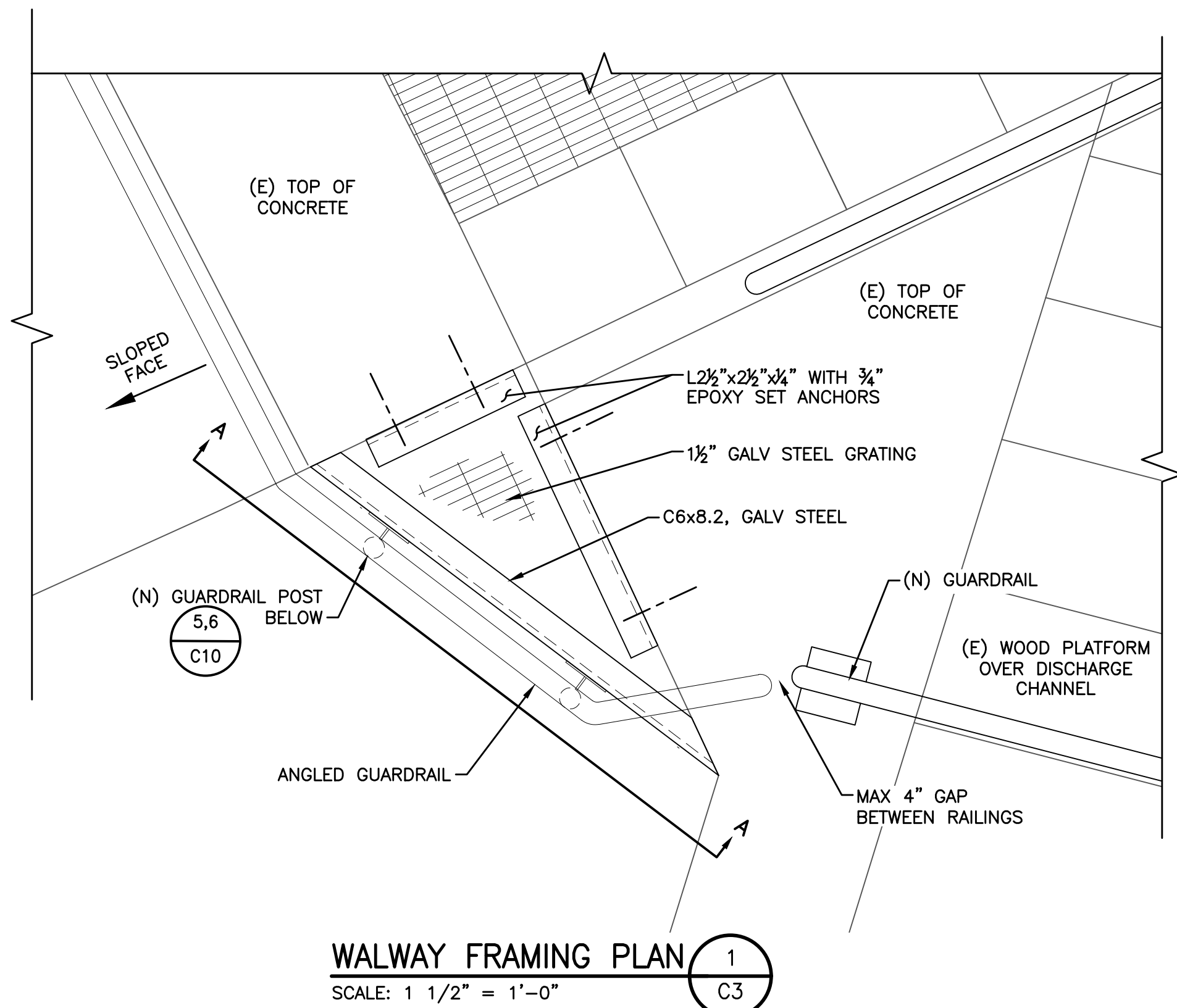
DOMENICHELLI & ASSOCIATES
Domenicelli & Associates
5180 Golden Foothill Pkwy, Suite 220 Ph: (916) 933-1997
El Dorado Hills, CA 95762 Fax: (916) 933-4778



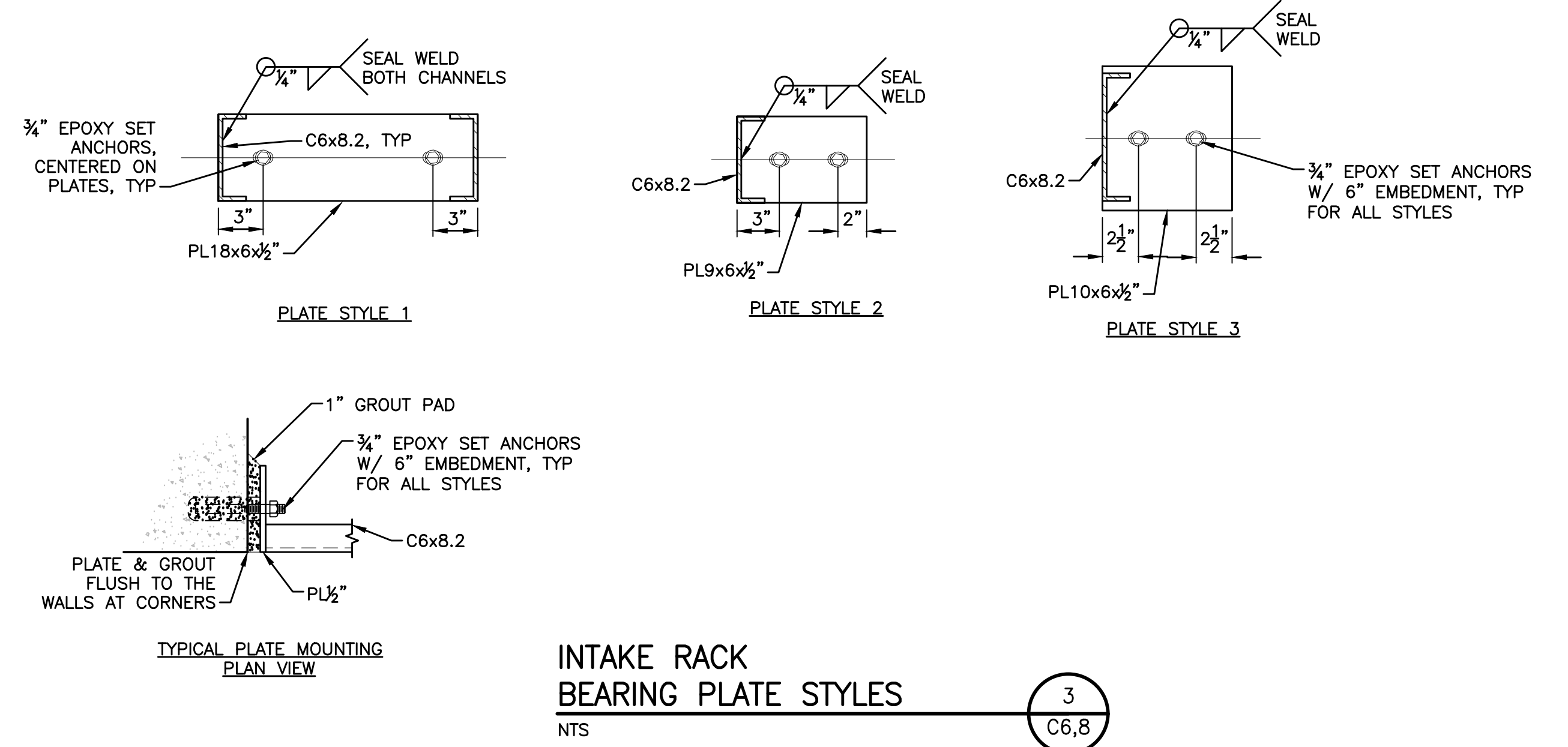
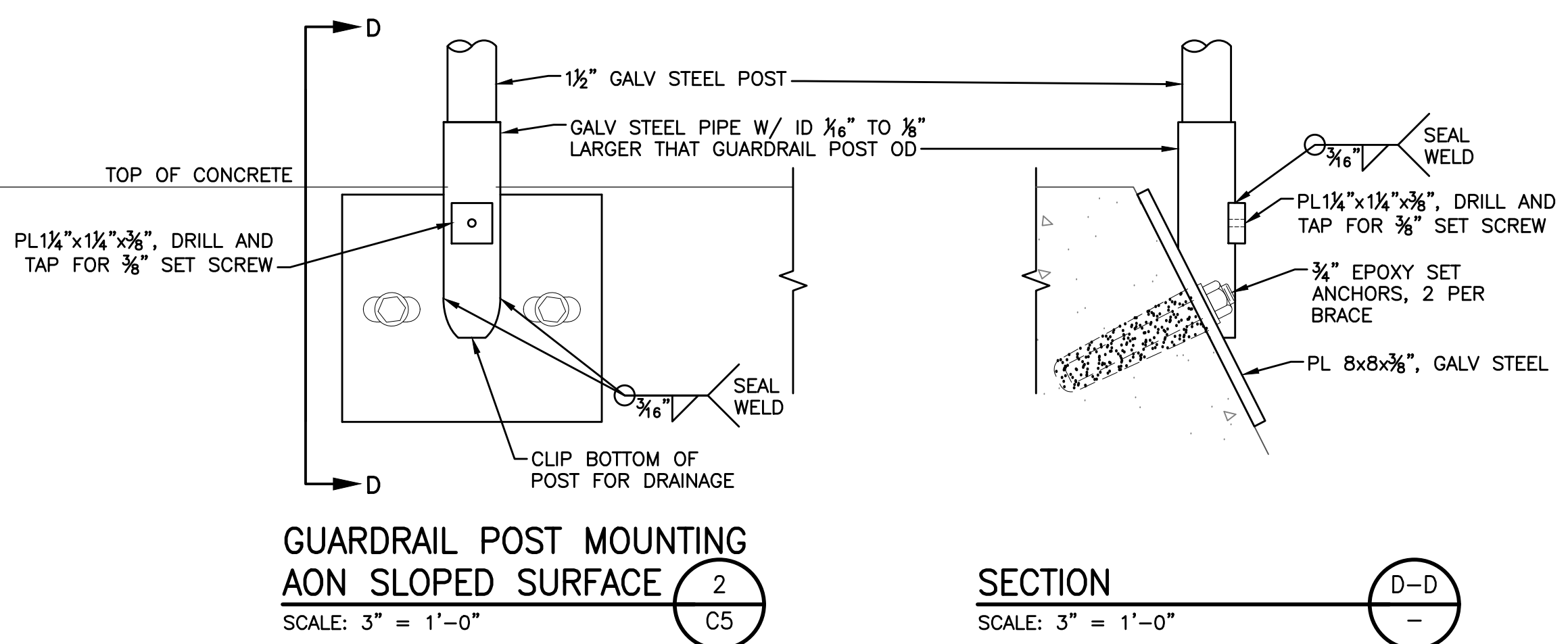
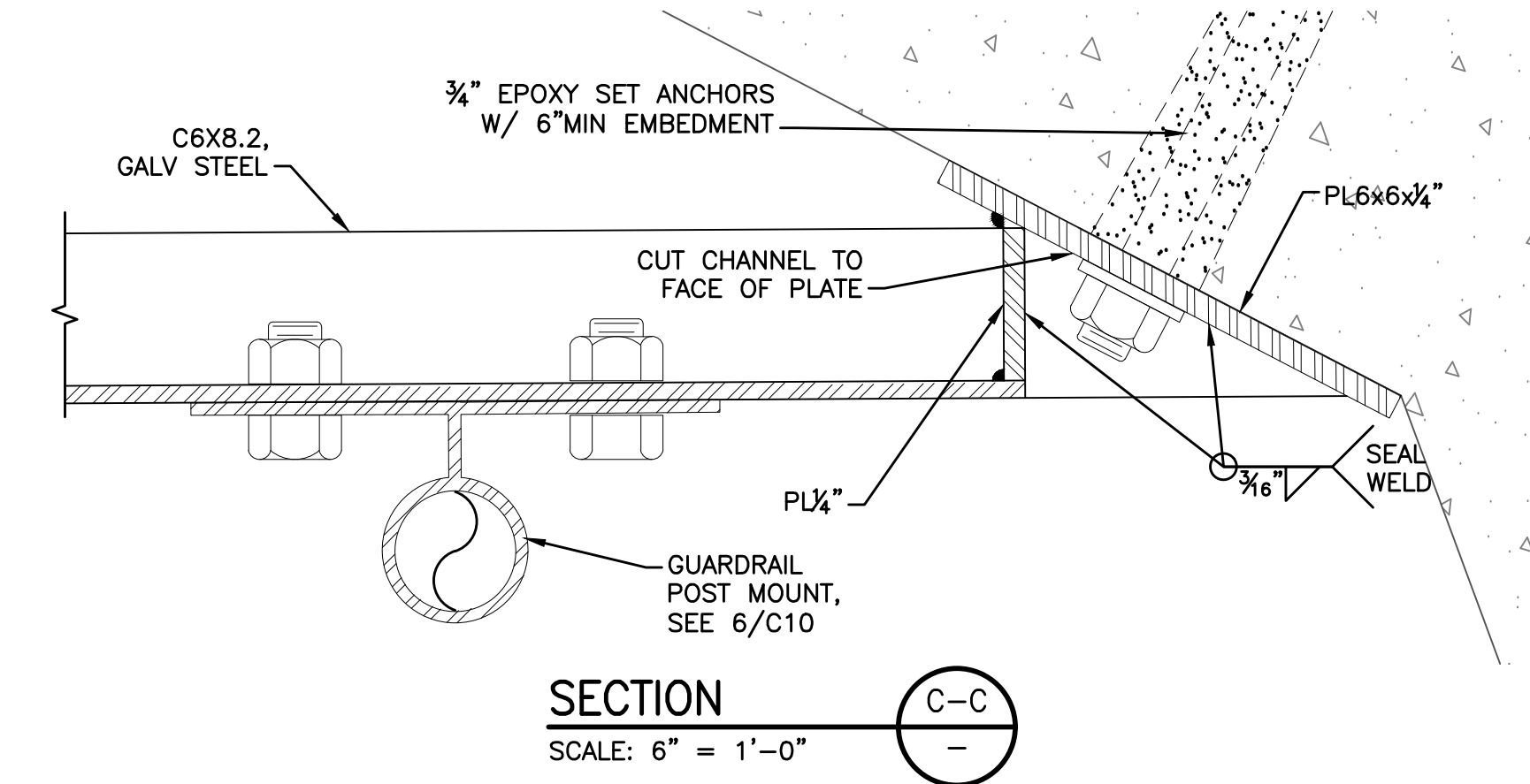
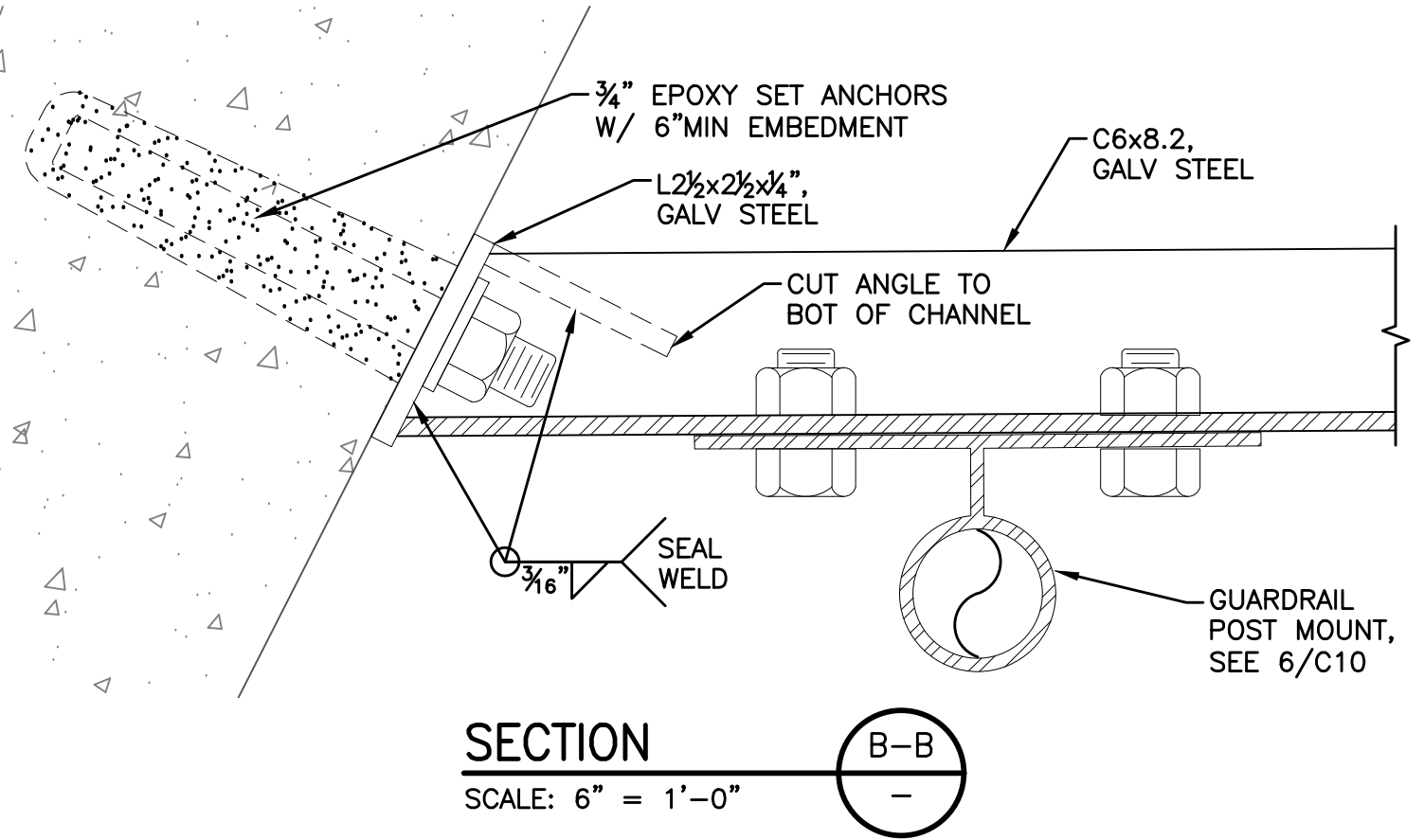
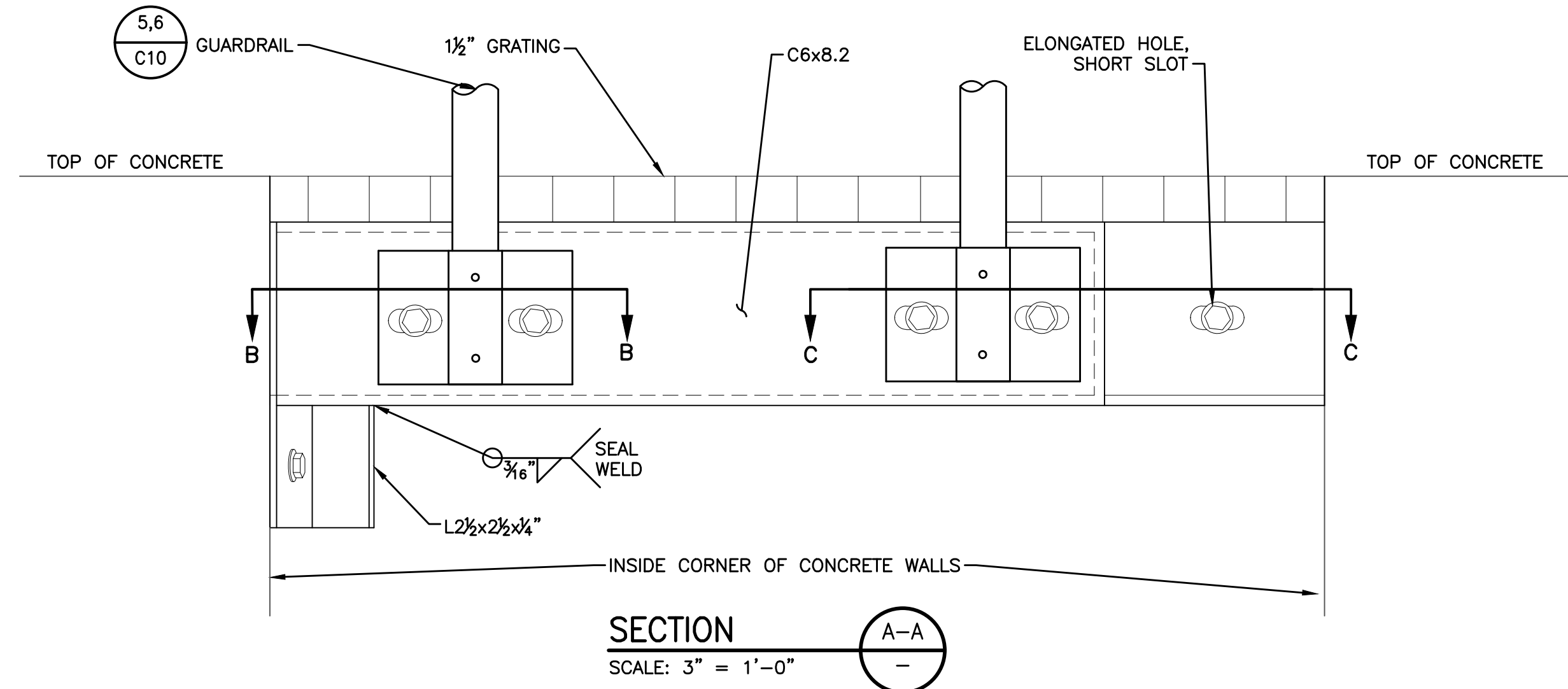
Rancho Murieta Community Services District
15160 Jackson Road, Rancho Murieta (916) 354 3700

RANCHO MURIETA COMMUNITY SERVICES GRANLEES RAW WATER INTAKE IMPROVEMENTS
SECTIONS & DETAILS 4

DRAWING NUMBER	C8
SHEET NUMBER	10 OF 12



WALWAY FRAMING PLAN 1
SCALE: 1 1/2" = 1'-0" C3



Z:\RM-ONCALL 3-21 TO 3-24\RM-033 GRANLEES DIVERSION DESIGN\DRAWINGS\RM033-FRAY PLAN.DWG

REVISIONS				
REV	DESCRIPTION	DATE	BY	CHKD
1	BID SET	02/24	DWH	DWH

WARNING

0 1"
AT FULL SCALE
(IF BAR IS NOT 1" - SCALE ACCORDINGLY)

DESIGNED: D. HEIGHER
DRAWN: J. CADE
CHECKED: J. DOMENICHELLI
DATE: FEBRUARY 2024

DOMENICHELLI & ASSOCIATES

Domenicelli & Associates
5180 Golden Foothill Pkwy, Suite 220 Ph: (916) 933-1997
El Dorado Hills, CA 95762 Fax: (916) 933-4778



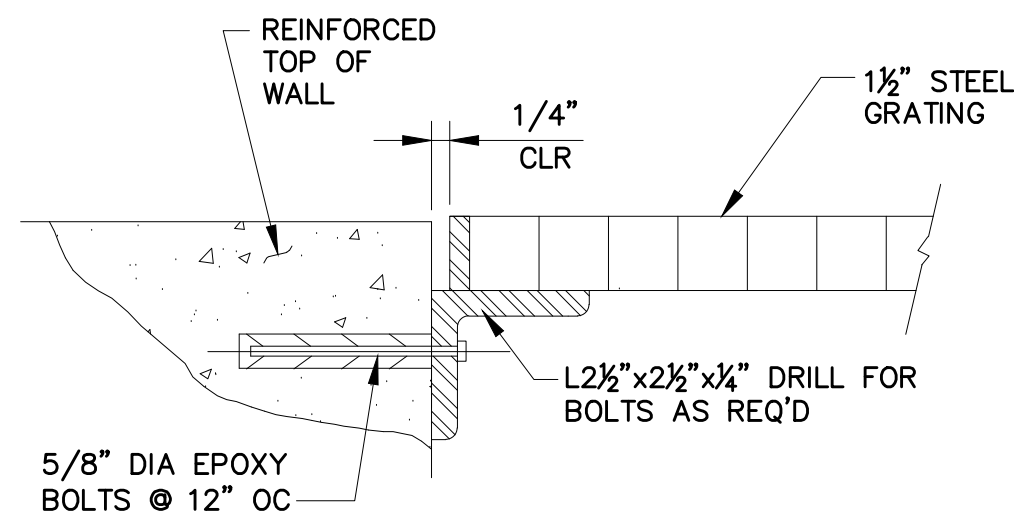
Rancho Murieta
Community Services District

15160 Jackson Road, Rancho Murieta
(916) 354 3700

RANCHO MURIETA COMMUNITY SERVICES
GRANLEES RAW WATER INTAKE IMPROVEMENTS

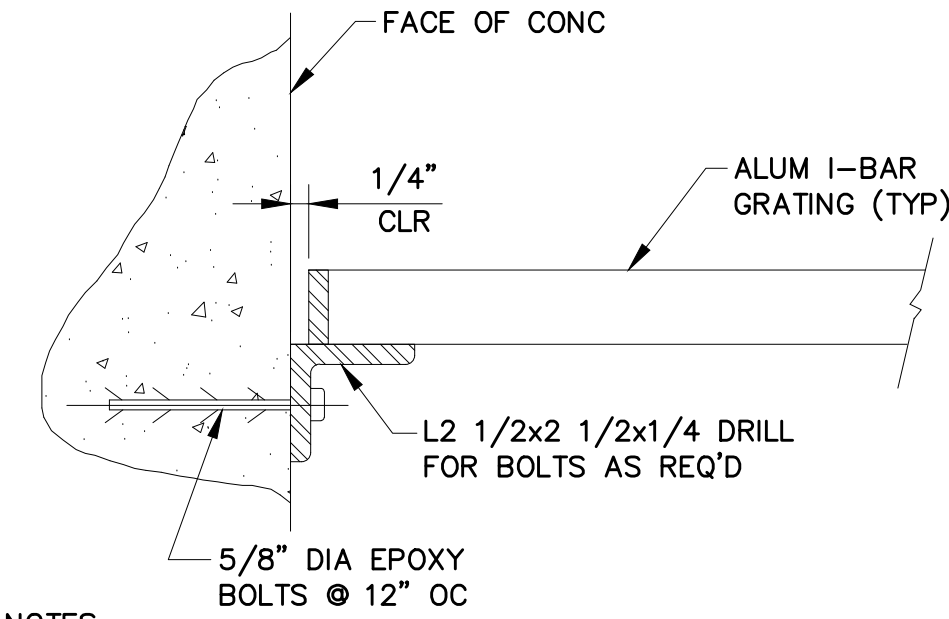
SECTIONS & DETAILS 5

DRAWING NUMBER	C9
SHEET NUMBER	11 OF 12



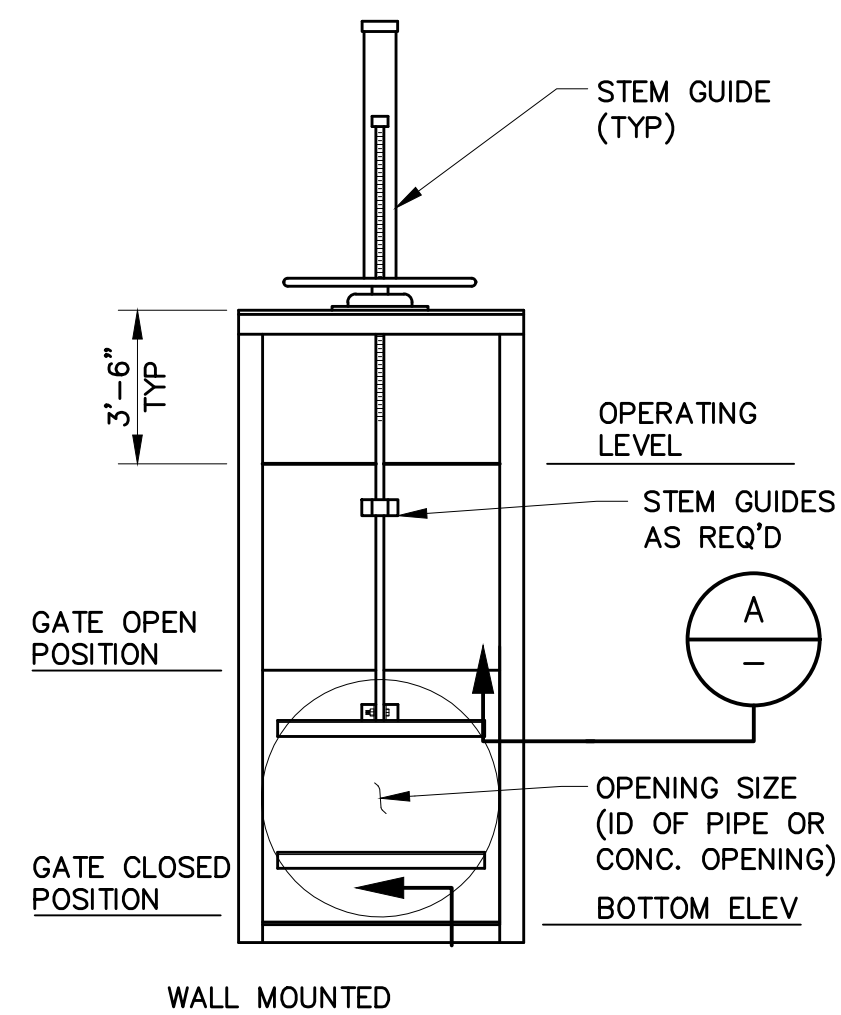
NOTES:
1. HOT DIP GALVANIZE ALL STEEL PARTS AFTER FABRICATION

GRATING SUPPORT DETAIL 1
NTS TYP

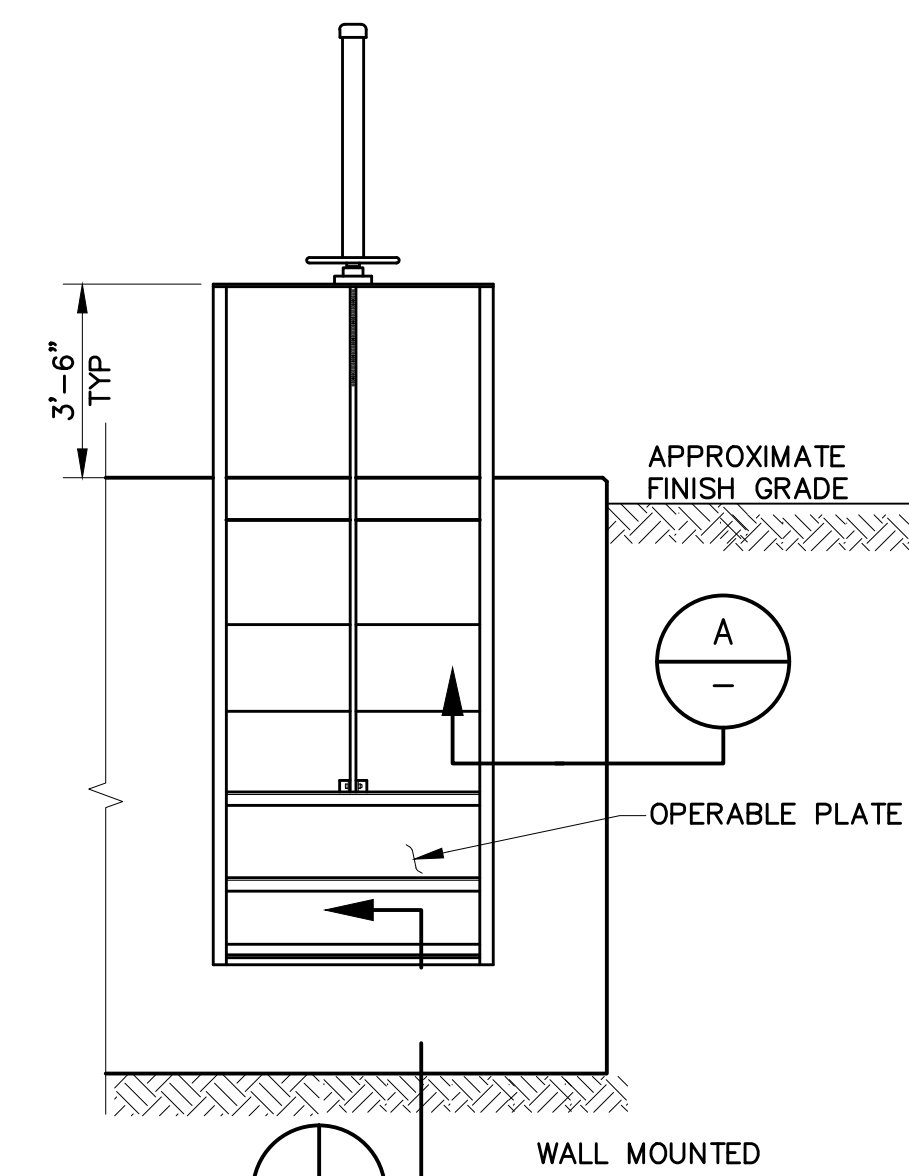


NOTES:
1. HOT DIP GALVANIZE ALL STEEL PARTS AFTER FABRICATION

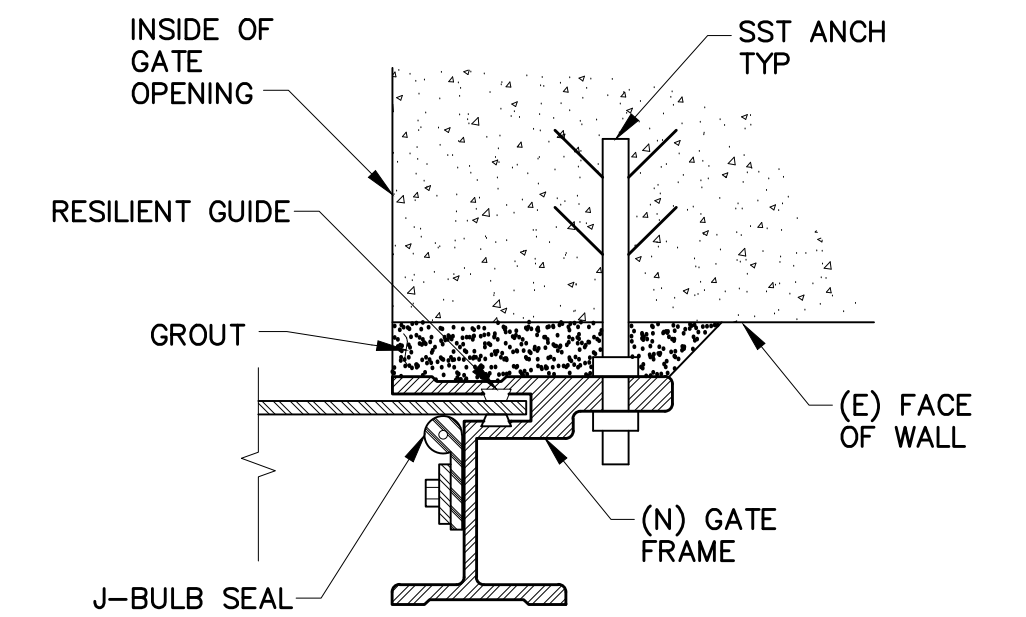
GRATING SUPPORT DETAIL 2
NTS TYP



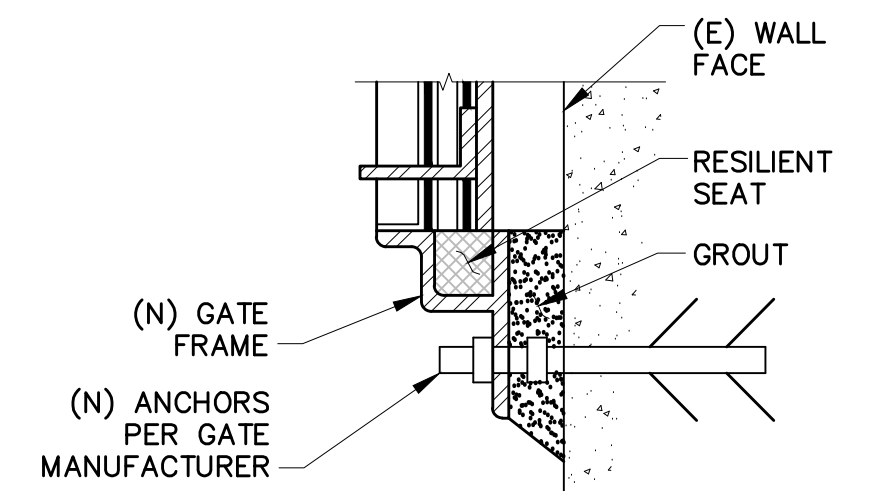
GATE DETAIL 9
NTS TYP



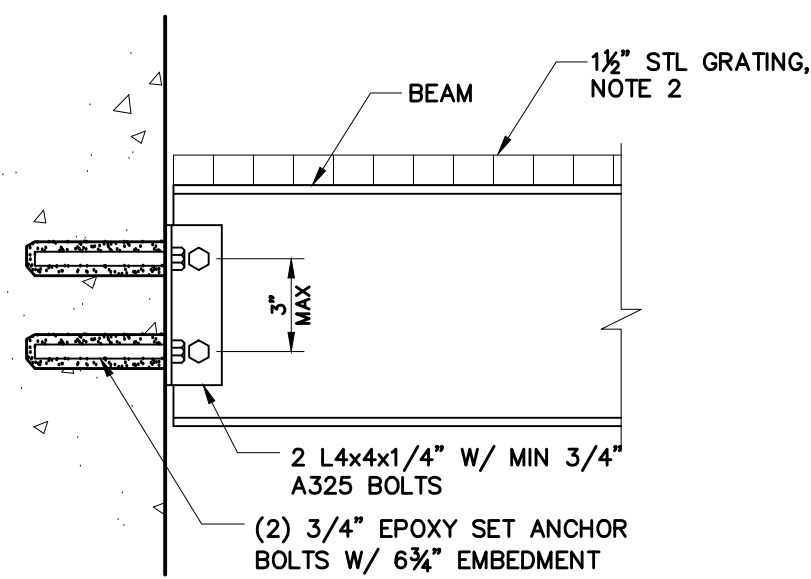
GATE DETAIL 10
NTS TYP



GATE SECTION A
NTS TYP

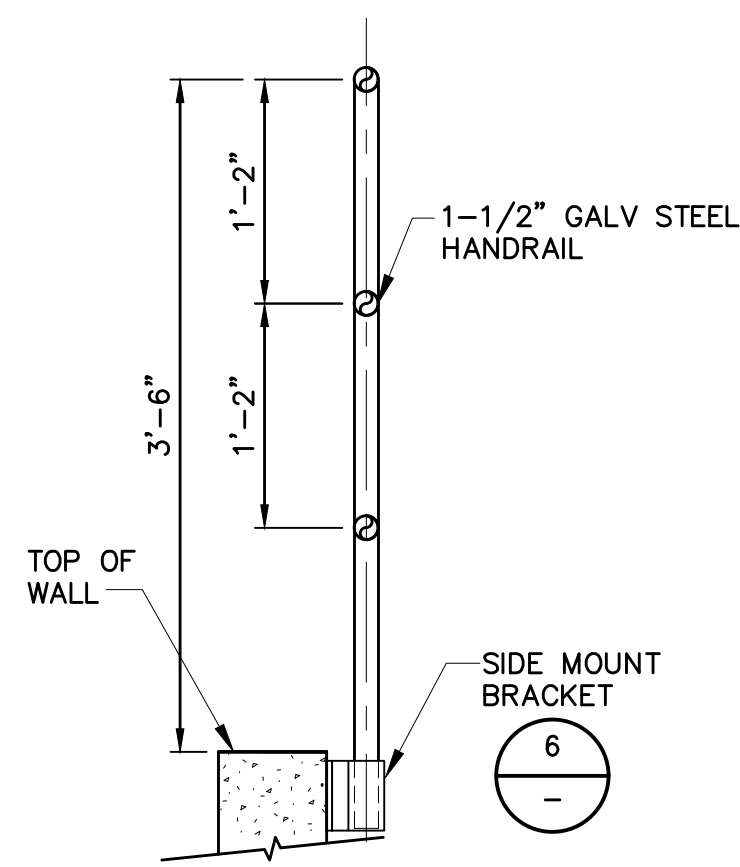


GATE SECTION B
NTS TYP

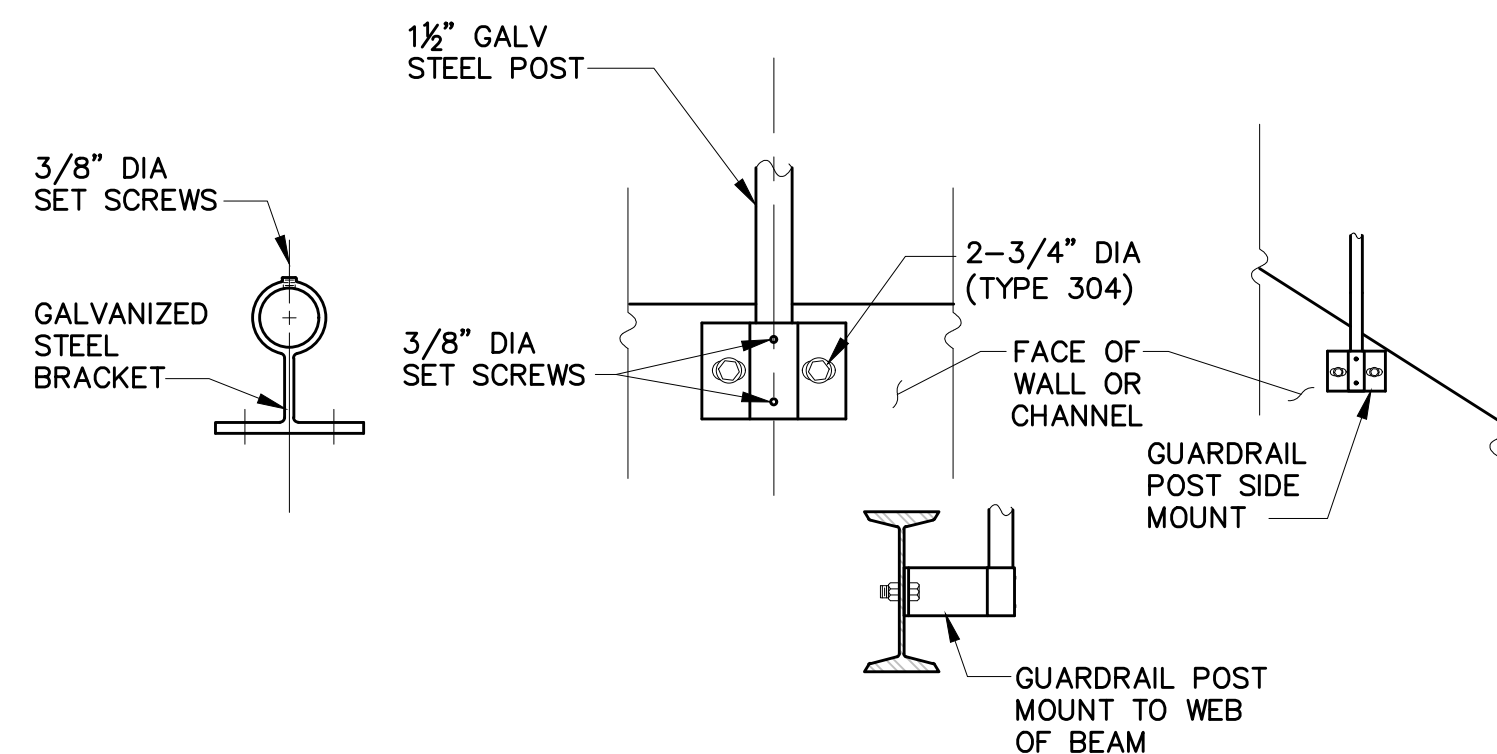


NOTE:
1. HOT DIP GALVANIZE ALL STEEL PARTS AFTER FABRICATION
2. ADJUST ELEVATION AND ORIENTATION OF ANGLE TO ALLOW TOP OF GRATING TO MATCH THE TOP OF THE LOWER WALLS.

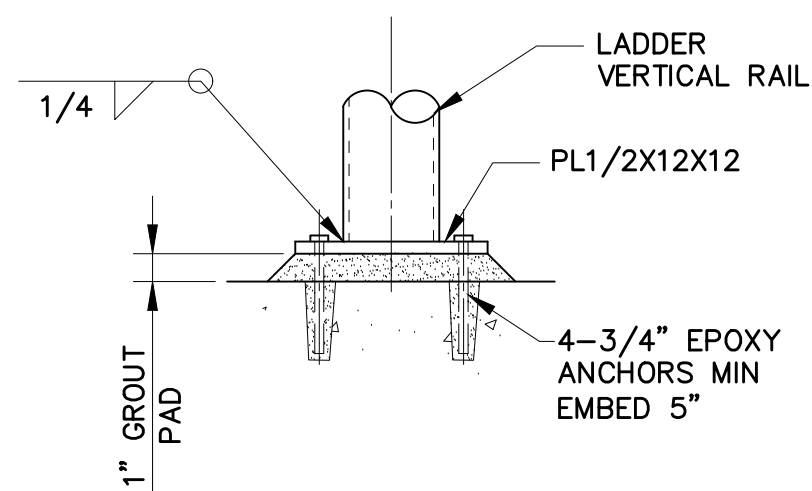
SUPPORT DETAIL 4
NTS TYP



GUARDRAIL DETAIL 5
NTS TYP



GUARDRAIL POST MOUNTING DETAIL 6
NTS TYP



LADDER BASE CONNECTION 7
NTS TYP

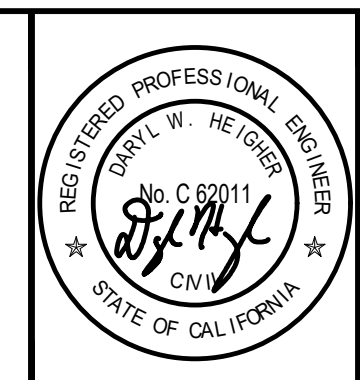
Z:\RM-ONCALL 3-21 to 3-24\RM-033 GRANLEES DIVERSION DESIGN\DRAWINGS\RM033-METDET.DWG

REVISIONS				
REV	DESCRIPTION	DATE	BY	CHKD
1	BID SET	02/24	DWH	DWH

WARNING
0 1"
AT FULL SCALE
(IF BAR IS NOT 1" - SCALE ACCORDINGLY)

DESIGNED: D. HEIGHER
DRAWN: J. CADE
CHECKED: J. DOMENICHELLI
DATE: FEBRUARY 2024

DOMENICHELLI & ASSOCIATES
Domenicelli & Associates
5180 Golden Foothill Pkwy, Suite 220 El Dorado Hills, CA 95762
Ph: (916) 933-1997 Fax: (916) 933-4778



Rancho Murieta Community Services District
15160 Jackson Road, Rancho Murieta (916) 354 3700

RANCHO MURIETA COMMUNITY SERVICES
GRANLEES RAW WATER INTAKE IMPROVEMENTS
TYPICAL DETAILS

DRAWING NUMBER C10
SHEET NUMBER 12 OF 12

Priority	Dam	Dam No.	Most Recent Inspection	Dam Type	Spillway Type	Dam Height (ft)	Dam Length (ft)	Max Dam Storage (ac-ft)	Year Built	2024 Age (yr)	Hazard Potential Classification	Condition Assessment	EAP?	Notes	Possible High-Priority Projects from Inspection Report	Possible Lower-Priority Projects from Inspection Report
1	Calero	1450-3	1/25/2024	Earth	Concrete Pipe	55	2400	2382	1982	42	High	Satisfactory	Yes	Has two embankments: the Main Dam and the East Dam Establish an access agreement with adjacent property owner to maintain the outfall channels for Sumps M1 and M2	RMCS D needs to investigate the sudden drop in measured seepage flow at Sump M1 to determine if the system is functioning properly. RMCS D to mark the East Dam outfall with a T-post or something similar for easy identification during inspections.	Shallow low spots with ponded water were present on the crest during this inspection but did not constitute a dam safety issue. The fallen oak tree needs to be removed and RMCS D needs to remove the sporadic woody vegetation and small trees as part of their regular maintenance activities. Continue with rodent abatement efforts and collapse and backfill burrows with compacted material when encountered.
2	Granlees	451	2/13/2024	Concrete Gravity	Overpour	17	364	75	1921	103	Low	Satisfactory	No	Dam in-line with river and interrupted by island in the middle. This dam is technically two dams on either side of island. Schedule inspection for July/August 2024 to observe dam crests while not spilling. Dam to be inspected for seepage at this time. Report states that neither dam has a functioning low-level outlet. Is this something that needs to be added?	Existing concrete spalling on North Dam and longstanding transverse crack near the left abutment of the South Dam. Age of dam and state of concrete may call for full rehabilitation, especially if seepage through dam is present.	Vegetation at the downstream left groin of the South Dam needs to be removed
3	Michigan Bar No. 1	1450-5	1/25/2024	Earth	Concrete Box Culvert	17	1900	814	1989	35	Significant	Satisfactory	Yes	Dam has two reservoirs, called Reservoir No. 1 and Reservoir No. 2	Repair cracked joint on spillway of Reservoir No. 1. Crack does not pose a dam safety risk at this time since dam only approved to impound water to an elevation that is 0.59 ft below spillway crest.	Sporadic oak trees and berry vine growth remain on the dam that need to be removed as part of the regular maintenance activities. Continue with rodent abatement efforts and collapse and backfill burrows with compacted material when encountered.
4	Chesbro	1450-2	1/25/2024	Earth	Concrete Pipe	79	720	1250	1972	52	High	Satisfactory	Yes	The reservoir has three embankments, the North Dam, Middle Dam, and South Dam.	No high-priority projects identified.	Clear the fallen limbs from the oak tree on the downstream left groin of the North Dam. Remove the berry vine growth from the upstream face of the Middle Dam. Continue rodent abatement efforts
5	Clementia	1450-4	2/13/2024	Earth	Concrete Box Culvert	33	1300	850	1976	48	Significant	Satisfactory	Yes		No high-priority projects identified.	Continue removing sporadic woody vegetation from the dam faces and crest as needed. Continue with rodent abatement efforts and collapse and backfill burrows with compacted material when encountered.
6	Michigan Bar No. 2	1450-6	2/13/2024	Earth	Concrete Pipe	36	1400	35	1983	41	Low	Satisfactory	No	The dam has five ponds, but only the sections of embankment impounding Pond No. 3 and No. 5 are jurisdictional. The ponds are equipped with overflow structures that connect each pond. Pond No. 5 has a spillway pipe which discharges into Reservoirs No. 1 and No. 2 at Michigan Bar No. 1 Dam.	No high-priority projects identified.	Continue with rodent abatement efforts and collapse and backfill burrows with compacted material when encountered.

No.	Dam	Dam No.	Most Recent Inspection	Dam Type	WL relative to dam crest at time of inspection (ft)	Spillway Type	WL relative to spillway at time of inspection (ft)	Inspection Recommendations	Inspection Conclusions	Dam Inspection Observations	Spillway Inspection Observations
1	Granlees	451	2/13/2024	Concrete Gravity	-4.5	Overpour	0.5	<p>Schedule the next inspection with RMCS D in July/August 2024 to observe the dam when it is not spilling</p> <p>Vegetation at the downstream left groin of the South Dam needs to be removed</p>	<p>From the known information and visual inspection, the dam, reservoir, and the appurtenances are judged safe for continued use</p>	<p>The North and South concrete gravity dam overpour structures were spilling during this inspection.</p> <p>The visible sections of the crests, upstream faces, and downstream faces showed no signs of instability or distress.</p> <p>Spalling mentioned in previous inspection reports at the overpour section of the North Dam was not observed during the inspection due to the spill.</p> <p>The longstanding transverse crack near the left abutment of the South Dam was obscured by the spill and was not observed during the inspection.</p> <p>The vegetation at the downstream left groin of the South Dam was still present and needs to be removed. No other objectional vegetation was noted during the inspection.</p>	<p>The spillway approaches, crests, and downstream channels were clear and unobstructed.</p>
2	Chesbro	1450-2	1/25/2024	Earth	-8.1	Concrete Pipe	-3	<p>The maintenance items listed in the last inspection report had been satisfactorily completed.</p> <p>The following items were identified during this inspection and need to be completed as part of the regular maintenance activities:</p> <p>Clear the fallen limbs from the oak tree on the downstream left groin of the North Dam.</p> <p>Remove the berry vine growth from the upstream face of the Middle Dam.</p>	<p>From the known information and visual inspection, the dam, reservoir, and the appurtenances are judged safe for continued use.</p>	<p>The reservoir has three embankments, the North Dam, Middle Dam, and South Dam. I walked the crests, downstream groins, and toes of each dam. The visible portions of the upstream and downstream faces were uniform and showed no signs of instability or distress.</p> <p>Vegetation control on the dams was generally satisfactory. As requested, the mature tree located near the toe of the North Dam had been pruned up. The young trees and woody vegetation on the downstream face and toe of the Middle Dam noted during the last inspection had also been removed.</p> <p>During this inspection, it was noted that large limbs had fallen from the oak tree located in the left downstream groin of the North Dam that need to be removed. Berry vine growth was observed on the upstream face of the Middle Dam that needs to be removed.</p> <p>No major rodent activity was observed, but RMCS D needs to continue with their abatement efforts and collapse and backfill burrows with compacted material when encountered.</p>	<p>The spillway approach, control section, and concrete pipe were clear and unobstructed. As requested, the bush in the approach channel had been removed.</p> <p>There were no stoplogs in the spillway structure in accordance with the Certificate of Approval which requires the stoplogs be removed between October 1 and April 15 of each year, both dates inclusive.</p>
3	Calero	1450-3	1/25/2024	Earth	-11	Concrete Pipe	-6	<p>As requested, RMCS D had removed the shrub on the upstream faces of the East Dam, removed the vegetation and grass growth in the spillway approach, and removed the accessible vegetation from the outfall channel at Sump M1. The status of the outfall channels for Sumps M1 and M2 were discussed during this inspection. Both sumps drain onto an adjacent property downstream of the Main Dam. A portion of the Sump M1 channel is accessible, but the outfall pipe for Sump M2 is located on the adjacent property. RMCS D is currently working on contacting the adjacent property owner to establish an access agreement to maintain the outfall channels for Sumps M1 and M2.</p> <p>The following maintenance items were identified during this inspection: The downed oak tree on the downstream face of the Main Dam needs to be removed. Sporadic woody vegetation and small tree growth needs to be removed from the Main Dam.</p> <p>RMCS D needs to investigate the sudden drop in measured seepage flow at Sump M1 to determine if the system is functioning properly.</p>	<p>From the known information and visual inspection, the dam, reservoir, and the appurtenances are judged safe for continued use.</p>	<p>I walked the crests, downstream groins, and toes of the Main and East Dams. The visible portions of the upstream and downstream faces were uniform and showed no signs of instability or distress. The status of the crest road and previously reported potholes were discussed during this inspection. RMCS D reportedly placed gravel along the crest road since the last inspection and does so on an as needed basis. Shallow low spots with ponded water were present on the crest during this inspection but did not constitute a dam safety issue.</p> <p>Vegetation control was satisfactory apart from sporadic small woody vegetation growth on the Main Dam and the fallen oak tree at the toe of the Main Dam that was covering a portion of the downstream face. The fallen oak tree needs to be removed and RMCS D needs to remove the sporadic woody vegetation and small trees as part of their regular maintenance activities.</p> <p>No major rodent activity was observed, but RMCS D needs to continue with their abatement efforts and collapse and backfill burrows with compacted material when encountered.</p>	<p>The spillway control section, and concrete pipe were clear and unobstructed. The concrete surfaces were in satisfactory condition. As requested, RMCS D had removed the vegetation and grass growth in the spillway approach.</p> <p>There were no stoplogs in the spillway structure in accordance with the Certificate of Approval which requires the stoplogs be removed between October 1 and April 15 of each year, both dates inclusive.</p>
4	Clementia	1450-4	2/13/2024	Earth	-7.9	Concrete Box Culvert	0.1	<p>As requested, RMCS D had cleared the berry vines at the downstream spillway and outlet channel.</p> <p>The dam is well maintained, but RMCS D needs to continue removing sporadic woody vegetation from the dam faces and crest as needed.</p>	<p>From the known information and visual inspection, the dam, reservoir, and the appurtenances are judged safe for continued use.</p>	<p>The crest, upstream face, and downstream face were in satisfactory condition with no signs of instability or distress.</p> <p>Vegetation control on the dam was satisfactory apart from sporadic woody vegetation growth that RMCS D needs to remove as part of their regular maintenance activities.</p> <p>No major rodent activity was observed, but RMCS D needs to continue with their abatement efforts and collapse and backfill burrows with compacted material when encountered.</p>	<p>The spillway, control section, box culvert, and downstream channel were clear and unobstructed.</p> <p>The concrete structure remains in satisfactory condition. Stoplogs were not in place, in accordance with the Certificate of Approval which requires the boards be removed between October 1 and April 15 each year, both dates inclusive.</p> <p>As requested, RMCS D had cleared the berry vines at the downstream spillway and outlet channel.</p>
5	Michigan Bar No. 1	1450-5	1/25/2024	Earth	-20	Concrete Box Culvert	-17.6	<p>The owner had removed some of the woody vegetation identified during the last inspection and the spillway approach was clear, but sporadic oak trees and berry vine growth remain on the dam that need to be removed as part of the regular maintenance activities.</p>	<p>From the known information and visual inspection, the dam, reservoir, and the appurtenances are judged safe for continued use.</p>	<p>The dam has two reservoirs, Reservoir No. 1 and Reservoir No. 2. I walked the crests of the two reservoirs. The crests were in satisfactory condition. The visible portion of the upstream faces and the downstream faces were in satisfactory condition with no signs of instability or distress.</p> <p>Intermittent oak tree and berry vine growth were present on the dam. RMCS D had removed some of the woody vegetation growth identified during the last inspection and I instructed them to continue removing the objectional vegetation as part of their regular maintenance activities.</p> <p>No major rodent activity was observed, but RMCS D needs to continue with their abatement efforts and collapse and backfill burrows with compacted material when encountered.</p>	<p>Reservoir No. 1 has a box culvert emergency spillway. The spillway approach section and downstream channel were clear and unobstructed. Seasonal grass was present in front of the box culvert intake but did not constitute an impediment to flows. The cracking on the 2020 repair to the right side of the box culvert intake appeared unchanged from the past inspection. The cracked joint does not pose a dam safety concern at this time. The Certificate of Approval allows water to be impounded to Elevation 163.00 in Reservoir No. 1, which is 0.59-feet below the invert of the emergency spillway crest.</p>
6	Michigan Bar No. 2	1450-6	2/13/2024	Earth	-2.5	Concrete Pipe	0	<p>The dam is well maintained.</p> <p>The outlet slide gates for Pond No. 3 and Pond No. 5 are due to be cycled in the presence of DSOD during the next inspection.</p>	<p>From the known information and visual inspection, the dam, reservoir, and the appurtenances are judged safe for continued use.</p>	<p>The dam has five ponds, but only the sections of embankment impounding Pond No. 3 and No. 5 are jurisdictional.</p> <p>The visible upstream faces, crests, and downstream faces and groins were in satisfactory condition, showing no signs of instability or distress. Vegetation control was satisfactory. No major rodent activity was observed, but RMCS D needs to continue with their abatement efforts and collapse and backfill burrows with compacted material when encountered.</p>	<p>The ponds are equipped with overflow structures that connect each pond. Pond No. 5 has a spillway pipe which discharges into Reservoirs No. 1 and No. 2 at Michigan Bar No. 1 Dam.</p> <p>The spillway pipe and each overflow structure were clear and unobstructed.</p>

Outlet Inspection Observations	Seepage Inspection Observations	Overall Instrumentation Inspection Observations	Piezometer Instrumentation Inspection Observations	Seepage Instrumentation Inspection Observations
<p>Neither dam has a functioning low-level outlet. The low-level outlet system consists of a sluice gate at the pumping plant intake at the North Dam and the fish ladder at the South Dam.</p> <p>The California Water Code section 6102.5(c) requires that the controls be fully cycled by the owner annually, and in the presence of DSOD every three years. The sluice gate was fully exercised during this inspection without issue. It is due to be cycled in the presence of DSOD again during the 2026-2027 inspection cycle.</p>	<p>The seepage conditions at the dam could not be assessed due to the ongoing spill.</p>	<p>There is no instrumentation for this dam, and none is deemed necessary.</p>	<p>N/A</p>	<p>N/A</p>
<p>The low-level outlet is controlled by an upstream slide gate and a downstream butterfly valve.</p> <p>The California Water Code section 6102.5(c) requires that the upstream and downstream controls be fully cycled by the owner annually, and in the presence of DSOD every three years. Both controls were fully exercised during this inspection without issue. They are due to be cycled in the presence of DSOD again during the 2026-2027 inspection cycle.</p>	<p>The dam embankments were damp due to recent precipitation, but no other signs of seepage (i.e. live flow, overly saturated ground, abnormally green vegetation) were observed on the downstream faces, groins or toes of the dams.</p> <p>Each dam was constructed with a chimney and blanket drain system. At the North Dam, this collected seepage daylighted at a manhole drain at the toe. Standing water was present at the outfall but there was no live flow.</p> <p>Seepage at the Middle Dam is collected in a sump and the sump pump is metered. Sump readings are recorded monthly and submitted with the annual instrumentation submittals.</p> <p>Seepage at the South Dam is collected at three manhole drains along the toe. Each manhole drain was observed to be dry. These seepage observations are consistent with past inspections at similar reservoir levels.</p>	<p>Instrumentation at the dam consists of one seepage sump pump and six survey monuments.</p> <p>Four manhole drains located at the North Dam and South Dam are monitored visually for flow but are not measured. The latest instrumentation submittal was received under cover letter dated March 23, 2023, and covers data through the 2022 calendar year.</p> <p>Conclusion: The instrumentation data indicate the dam is performing satisfactorily, and no additional instrumentation is deemed necessary at this time.</p>	<p>N/A</p>	<p>There is one sump pump located at the toe of the Middle Dam. Sump readings are recorded monthly. Data is provided from 2004 through 2022. Seepage measured at the sump generally follows changes in the reservoir level, with a historical max at the Middle Dam sump around 575,000 gallons per month (~13.3 GPM). This behavior continued in 2022 and the Middle Dam sump remained within its historical range, with an annual max around 175,000 gallons per month (~4.1 GPM).</p>
<p>The low-level outlet is controlled by an upstream slide gate and a downstream sluice gate. The California Water Code section 6102.5(c) requires that the upstream and downstream controls be fully cycled by the owner annually, and in the presence of DSOD every three years. Both controls were fully exercised during this inspection without issue. They are due to be cycled in the presence of DSOD again during the 2026-2027 inspection cycle.</p>	<p>The dam embankments were damp due to recent precipitation, but no other signs of seepage (i.e. live flow, overly saturated ground, abnormally green vegetation) were observed on the downstream faces, groins or toes of the dams.</p> <p>The Main Dam is equipped with two sumps (Sumps M1 and M2) and the East Dam is equipped with one (East Dam). All were tested during this inspection and were in good working condition. Sump readings are recorded monthly and submitted with the annual instrumentation submittals. The status of the outfall channels for Sumps M1 and M2 were discussed during this inspection. Both sumps drain onto an adjacent property downstream of the Main Dam. A portion of the Sump M1 channel is accessible, but the outfall pipe for Sump M2 is located on the adjacent property. RMCS D is currently working on contacting the adjacent property owner to establish an access agreement to maintain the outfall channels for Sumps M1 and M2. The outfall for the East Dam is located in the upstream right groin of the East Dam and was observed to be clear and unobstructed. I suggested that RMCS D mark the East Dam outfall with a T-post or something similar for easy identification during inspections.</p>	<p>Instrumentation at the dam consists of two piezometers, three seepage sump pumps, and eleven survey monuments.</p> <p>The latest instrumentation submittal was received under cover letter dated March 23, 2023, and covers data through the 2022 calendar year.</p> <p>Conclusion: The instrumentation data indicate the dam is performing satisfactorily, and no additional instrumentation is deemed necessary at this time. RMCS D needs to investigate the sudden drop in measured seepage flow at Sump M1 to determine if the system is functioning properly.</p>	<p>There are two open standpipe piezometers (P-3 and P-4) aligned near the maximum section of the Main Dam. P-3 is located in the crest, upstream of the chimney drain. P-4 is located in the downstream bench, downstream of the chimney drain and above the blanket drain. Since installation in 2008, P-3 has shown minor fluctuations corresponding to changes in reservoir level, and generally fluctuates between 15 to 20 feet above its tip elevation. This is reasonable given its location upstream of the chimney drain. Since installation in 2008, P-4 has shown little to no fluctuation, remaining within a few feet of its tip elevation. This is reasonable given its location downstream of the chimney drain and above the blanket drain and suggests the two drains are functioning as intended.</p>	<p>There are two sump pumps at the Main Dam (Sumps M1 and M2) and one sump pump at the East Dam (East Dam) that collect seepage. Sump pump data at each sump is collected monthly and plotted as cumulative flow for the month. Data for each sump is provided from 2004 through 2022. Sump M1 generally records the most flow of the three sumps with response to changes in reservoir level with a historical max around 400,000 gallons per month (~9.3 GPM). Sump M1 showed an appreciable drop in measured flow in 2022. Sump M1 has exhibited similar behavior prior to 2006, but the owner should investigate the drop in flow to ensure the flow meter is functioning correctly. Sump M2 shows fluctuations that correspond to changes in reservoir level, with a historical max around 80,000 gallons per month (~1.9 GPM). This behavior continued in 2022 and Sump M2 remained within its historical range, with an annual max around 75,000 gallons per month (~1.7 GPM). East Dam also shows fluctuations that correspond to changes in reservoir level, with a historical max around 50,000 gallons per month (~1.2 GPM). This behavior continued in 2022 and East Dam remained within its historical range, with an annual max around 25,000 gallons per month (~0.6 GPM).</p>
<p>The low-level outlet is controlled by an upstream slide gate and downstream gate valve. The California Water Code section 6102.5(c) requires that the upstream and downstream controls be fully cycled by the owner annually, and in the presence of DSOD every three years.</p> <p>Both controls were fully exercised during this inspection without issue. They are due to be cycled in the presence of DSOD again during the 2026-2027 inspection cycle.</p>	<p>The dam embankment was damp due to morning dew, but no other signs of seepage (i.e. live flow, overly saturated ground, abnormally green vegetation) were observed on the downstream faces, groins, or toe of the dam.</p> <p>Seepage is collected in a sump at the toe of the dam and the sump pump is metered. Sump readings are recorded monthly and submitted with the annual instrumentation submittals. The outfall for the sump pump and the surrounding area were observed to be clear.</p>	<p>Instrumentation at the dam consists of two piezometers, a seepage sump pump, and five survey monuments.</p> <p>Conclusion: The instrumentation data indicate the dam is performing satisfactorily, and no additional instrumentation is deemed necessary at this time.</p>	<p>There are two open standpipe piezometers (P-1 and P-2) aligned near the maximum section of the dam. P-1 is located in the crest, upstream of the chimney drain. P-2 is located in the downstream shell, downstream of the chimney drain and above the blanket drain.</p> <p>Since installation in 2008, P-1 has shown minor fluctuations corresponding to changes in reservoir level, but generally fluctuates between 8 to 10 feet above its tip elevation. This is reasonable given its location upstream of the chimney drain.</p> <p>Since installation in 2008, P-2 has generally read dry. This is reasonable given its location downstream of the chimney drain and above the blanket drain and suggests the two drains are functioning as intended.</p>	<p>There is one sump pump located at the toe of the dam. Sump readings are recorded monthly. Data is provided from 2004 through 2022. Seepage measured at the sump generally follows changes in the reservoir level, with a historical max prior to 2017 around 50,000 gallons per month (~1.2 GPM).</p> <p>A new meter and pumping system were installed in late 2016/early 2017. Since this installation, the seasonal maximum has been as high as 500,000 gallons per month (~11.5 GPM). This behavior continued in 2022 and the sump remained within its historical range, with an annual max around 150,000 gallons per month (~3.5 GPM).</p>
<p>The dam does not have a traditional low-level outlet. The reservoir can be dewatered via pumps located at the southwest end of Reservoir No. 1. The pumps were in satisfactory condition and RMCS D regularly uses them for irrigation purposes.</p>	<p>The dam embankment was damp due to recent precipitation, but no other signs of seepage (i.e. live flow, overly saturated ground, abnormally green vegetation) were observed on the downstream faces, toes, or toe ditch of the dams.</p>	<p>There is no instrumentation for this dam, and none is deemed necessary at this time.</p>	<p>N/A</p>	<p>N/A</p>
<p>The low-level outlet system is comprised of drain lines for both Ponds No. 3 and No. 5. The drains discharge into a diversion manhole located at the north end of the reservoir between Ponds No. 3 and No. 5. Each drain line is controlled by a slide gate located in the manhole. Releases then discharge through a single drain line into Michigan Bar No. 1 Dam.</p> <p>The slide gate which controls the drain line into Michigan Bar No. 1 Dam is left in the fully open position and the operating stem has been removed.</p> <p>The California Water Code section 6102.5(c) requires that the outlet controls be fully cycled by the owner annually, and in the presence of DSOD every three years. The controls for Ponds No. 3 and No. 5 were fully cycled in the presence of DSOD on February 10, 2022. They are due to be cycled in the presence of DSOD again during the next inspection.</p>	<p>The dam embankment was damp due to morning dew, but no other signs of seepage (i.e. live flow, overly saturated ground, abnormally green vegetation) were observed on the downstream faces, groins, or toe of the dam.</p>	<p>There is no instrumentation for this dam, and none is deemed necessary at this time.</p>	<p>N/A</p>	<p>N/A</p>

Survey Instrumentation Inspection Observations
N/A
<p>There are six survey monuments, three on the crest of the North and three on the crest of the Middle Dam. The monuments are surveyed every five years for vertical and horizontal displacements. The latest survey was conducted in April 2020. The data from the latest survey was reviewed in the inspection report dated April 15, 2022, with no unusual trends noted. The next survey is due to be performed in 2025.</p>
<p>There are eleven survey monuments located along the crests of the Main and East Dams. The monuments are surveyed every five years for vertical and horizontal displacements. The latest survey was conducted in April 2020. The data from the latest survey was reviewed in the inspection report dated April 15, 2022, with no unusual trends noted. The next survey is due to be performed in 2025.</p>
<p>There are five survey monuments at the dam. The monuments are surveyed every five years for vertical and horizontal displacements. The latest survey was conducted in April 2020. The data from the latest survey was reviewed in the inspection report dated April 15, 2022, with no unusual trends noted. The next survey is due to be performed in 2025.</p>
N/A
N/A

Dam Name	CA ID	Federal ID	Owner Names	Owner Types	Primary Owner Type	Non-Federal Dam on Federal Property	Primary Purpose	Purposes	Source Agency	State or Federal Agency ID	Latitude
Granlees	451	CA00599	Consumnes Irrigation Association and Rancho Murieta Community Services District	Private	Public Utility	No	Other	Other;Irrigation;Water Supply	California	1450.007	38.4976
Chesbro	1450-2	CA00995	Rancho Murieta Community Services District	Public Utility	Public Utility	No	Water Supply	Water Supply	California	1450.002	38.509
Calero	1450-3	CA01209	Rancho Murieta Community Services District	Public Utility	Public Utility	No	Water Supply	Water Supply;Irrigation;Recreation	California	1450.003	38.5246
Clementia	1450-4	CA01119	Rancho Murieta Community Services District	Public Utility	Public Utility	No	Water Supply	Water Supply;Recreation	California	1450.004	38.5017
Michigan Bar No. 1	1450-5	CA01243	Rancho Murieta Community Services District	Public Utility	Public Utility	No	Water Supply	Water Supply;Other;Irrigation	California	1450.005	38.4825
Michigan Bar No. 2	1450-6	CA01288	Rancho Murieta Community Services District	Public Utility	Public Utility	No	Water Supply	Water Supply;Other;Irrigation	California	1450.006	38.4821

Longitude	State	County	City	Distance to Nearest City (Miles)	River or Stream Name	Congressional District	State Regulated Dam	State Jurisdictional Dam	State Regulatory Agency	State Permitting Authority	State Inspection Authority	State Enforcement Authority
-121.066	California	Sacramento			Cosumnes River	Congressional District 07, California	Yes	Yes	DWR, Division of Safety of Dams	Yes	Yes	Yes
-121.0726	California	Sacramento	Rancho Murieta	0	Tr Cosumnes Rv	Congressional District 07, California	Yes	Yes	DWR, Division of Safety of Dams	Yes	Yes	Yes
-121.0827	California	Sacramento	Rancho Omochumnes	3	Crevis Creek	Congressional District 07, California	Yes	Yes	DWR, Division of Safety of Dams	Yes	Yes	Yes
-121.0702	California	Sacramento	Rancho Murieta	0	Tr Cosumnes Rv	Congressional District 07, California	Yes	Yes	DWR, Division of Safety of Dams	Yes	Yes	Yes
-121.0827	California	Sacramento	Wilton	5	Tr Cosumnes Rv	Congressional District 07, California	Yes	Yes	DWR, Division of Safety of Dams	Yes	Yes	Yes
-121.0824	California	Sacramento			Tr Cosumnes Rv	Congressional District 07, California	Yes	Yes	DWR, Division of Safety of Dams	Yes	Yes	Yes

Federally Regulated Dam	Built Under the Authority of the Secretary of Agriculture	NRCS Watershed Dam Authorization	Primary Dam Type	Dam Types	Dam Height (Ft)	Structural Height (Ft)	NID Height (Ft)	NID Height Category	Dam Length (Ft)	Volume (Cubic Yards)	Year Completed	Year Completed Category	NID Storage (Acre-Ft)
No	No	N/A	Gravity	Gravity	17	12	17	Less than 25 feet	364	1200	1921	1920-1929	75
No	No	N/A	Earth	Earth	79	75.9	79	51-100 feet	720	425000	1972	1970-1979	1250
No	No	N/A	Earth	Earth	55	52	55	51-100 feet	2400	990000	1982	1980-1989	2832
No	No	N/A	Earth	Earth	33	27	33	25-50 feet	1300	230000	1976	1970-1979	850
No	No	N/A	Earth	Earth	17	14.6	17	Less than 25 feet	1900	464000	1989	1980-1989	814
No	No	N/A	Earth	Earth	36	33.5	36	25-50 feet	1400	184800	1983	1980-1989	35

Max Storage (Acre-Ft)	Surface Area (Acres)	Drainage Area (Sq Miles)	Data Last Updated	Last Inspection Date	Inspection Frequency	Hazard Potential Classification	Condition Assessment	Condition Assessment Date	EAP Prepared	EAP Last Revision Date	Website URL	Operational Status	Operational Status Date
75	30	535	12/23/2022	2/10/2022	0.5	Low	Satisfactory	9/1/2017	Not Required		https://damsafety.org/california	Normal Operations	2/22/2023
1250	46	0.14	2/22/2024	2/10/2022	1	High	Satisfactory	9/1/2017	Yes	10/5/2022	https://damsafety.org/california	Normal Operations	2/22/2023
2832	110	0.33	2/22/2024	2/10/2022	1	High	Satisfactory	9/1/2017	Yes	10/5/2022	https://damsafety.org/california	Normal Operations	2/22/2023
850	70	2.35	12/23/2022	2/10/2022	1	Significant	Satisfactory	9/1/2017	Yes	10/5/2022	https://damsafety.org/california	Normal Operations	2/22/2023
814	34		2/22/2024	2/10/2022	1	Significant	Satisfactory	9/1/2017	Yes	10/5/2022	https://damsafety.org/california	Normal Operations	2/22/2023
35	2.29		12/23/2022	2/10/2022	0.5	Low	Satisfactory	9/1/2017	Not Required		https://damsafety.org/california	Normal Operations	2/22/2023

Inundation Maps Added to NID?
No
Yes
Yes
No
Yes
No

**AGREEMENT BETWEEN RANCHO MURIETA COMMUNITY SERVICES
DISTRICT AND RANCHO MURIETA ASSOCIATION CONCERNING THE
TRANSFER OF REAL PROPERTY**

THIS AGREEMENT (“Agreement”) is entered into and made effective May __, 2024 by Rancho Murieta Community Services District (“RMCS D”) and Rancho Murieta Association (“RMA”). RMCS D and RMA are hereinafter collectively referred to as the Parties (“Parties”) who agree as follows:

RECITALS

A. RMCS D is the fee owner of certain property in Sacramento County, California, as more particularly described in Exhibit A to this Agreement. The property and any and all fixtures and appurtenances attached to the property shall hereinafter collectively be referred to as the Property (“Property”). RMCS D acquired the Property on May 30, 2006.

B. RMCS D maintains and operates a pedestrian bridge, which lies on portions of the Property.

C. Prior to RMCS D’s acquisition of the Property, there was an understanding and agreement, between RMCS D and RMA, that RMCS D would hold title to the Property for a duration of time to better navigate the requirements of the California Environmental Quality Act and the Subdivision Map Act. It was further understood and agreed upon between RMCS D and RMA that RMCS D would ultimately transfer title of the Property to RMA at no cost.

D. RMA is willing to accept, and RMCS D is willing to transfer the Property to RMA, including all operational, maintenance, and liability obligations, on the terms and conditions provided in this Agreement.

E. RMCS D’s Board of Directors has obtained concurrence from the California Department of Housing and Community Development that the proposed transfer is exempt from the Surplus Land Act (Gov. Code, §§ 54220-234.).

AGREEMENT

NOW, THEREFORE, the Parties hereto mutually agree as follows:

1. Transfer of Property. For good and valuable consideration, the receipt and adequacy of which are hereby acknowledged, RMCS D agrees to transfer and RMA agrees to accept the Property, under the terms and conditions of this Agreement. Upon full execution of this Agreement and within 10 days of the date first stated above, RMCS D shall execute, record, and deliver a grant deed in the form provided in Exhibit B granting the Property to RMA. The date that RMCS D delivers an original grant deed to RMA shall be deemed the “Date of Transfer.”

2. Title to the Property. RMCS D has good and marketable title to the Property subject to the exceptions of record and as may be disclosed by an inspection of the Property. RMCS D has no actual knowledge of any unrecorded or undisclosed legal or equitable interest in the Property owned or claimed by anyone. RMCS D has no knowledge that anyone will, at the Closing, have any right to possession of the Property, except as disclosed by this Agreement or otherwise in writing to RMA. There are no unsatisfied mechanics' or materialmen's lien rights on the Property. No assessment lien or bond encumbers the Property, and no governmental authority has undertaken any action that could give rise to an assessment lien affecting the Property. A title report dated October 18, 2022 is attached as Exhibit C. RMA, at its sole cost, may obtain an updated title report and a policy of title insurance for the Property if desired.

3. Consideration and "As Is" Transfer. There shall be no monetary consideration for the transfer of the Property. In exchange for RMCS D's transfer of fee title of the Property to RMA, RMA agrees to the obligations set forth in this Agreement. Furthermore, RMA has agreed to accept the Property as of the Date of Transfer on an "as is" basis. RMCS D and RMA agree that the Property will be transferred "as is, where is, with all faults," without representation or warranty of any kind, express or implied (including, without limitation, warranty of income potential, operating expenses, uses, merchantability, or fitness for a particular purpose), and RMA disclaims and renounces any such representation or warranty.

4. Release. Effective from and after the Date of Transfer, RMA hereby waives, releases, acquits, and forever discharges RMCS D, and RMCS D's agents, directors, officers, and employees to the maximum extent permitted by law, of and from any and all claims, actions, causes of action, demands, rights, liabilities, damages, losses, costs, expenses, or compensation whatsoever, direct or indirect, known or unknown, foreseen or unforeseen, that it now has or that may arise in the future because of or in any way growing out of or connected with this Agreement and the Property (including without limitation the condition of the Property), except matters arising from RMCS D's fraud or intentional misrepresentation. RMA expressly waives its rights granted under the provisions of any law that provides that a general release does not extend to claims that RMA does not know or suspect to exist in its favor at the time of executing the release, which if known by it must have materially affected its agreement to release RMCS D including, without limitation, California Civil Code §1542, which provides:

A GENERAL RELEASE DOES NOT EXTEND TO CLAIMS THAT THE CREDITOR OR RELEASING PARTY DOES NOT KNOW OR SUSPECT TO EXIST IN HIS OR HER FAVOR AT THE TIME OF EXECUTING THE RELEASE AND THAT, IF KNOWN BY HIM OR HER, WOULD HAVE MATERIALLY AFFECTED HIS OR HER SETTLEMENT WITH THE DEBTOR OR RELEASED PARTY.

RMCS D and RMA have each initialed this section 4 to further indicate their awareness and acceptance of each and every provision of this Agreement. The provisions of this section 4 will survive the completion of this Agreement.

5. Indemnification and Hold Harmless. RMA recognizes and hereby agrees that RMCS D and its directors, officers, officials, employees, and agents shall not be liable for any injury or death to any person or damage to any property arising from or on the Property after the completion of this Agreement. RMA, therefore, shall protect, indemnify and hold RMCS D, its directors, officers, officials, employees, and agents harmless from any and all claims, causes of actions, demands or charges and from any loss or liability, including but not limited to all costs, penalties, expenses, attorneys' fees, litigation costs and other fees, caused or contributed to in whole or in part or claimed to be caused or contributed to in whole or in part, whether directly or indirectly, by reason of any negligent act, omission or fault or willful misconduct whether active or passive of RMA, its officers, employees, independent contractors or agents, arising out of or in any way connected with operations or maintenance of the Property, except where the act or omission is caused by the active negligence, sole negligence or willful misconduct of RMCS D, its officers, directors, officials, employees, volunteers or agents. In addition, if RMCS D should be sued as a result of such operations or maintenance or failure to perform, RMCS D may notify RMA which then shall have the duty to defend RMCS D, or at RMCS D's option, pay for such defense including but not limited to payment of all reasonable attorney's fees and expenses incurred by RMCS D.

The completion of this Agreement shall not release RMA from its obligations under this Section 5, so long as the event upon which the claim is predicated shall have occurred subsequent to the effective date of this Agreement and arose out of or was in any way connected with the duties under this Agreement by the indemnifying party, its officers, employees, independent contractors or agents, or the employee, agent or independent contractor of any one of them.

In any and all claims against either party, or its officers, officials, directors, employees, volunteers or agents, by any employee of RMA, any independent contractor, anyone directly or indirectly employed by any of them or anyone for whose acts any of any of them may be liable, the indemnification obligation under this section shall not be limited in any way by any limitation on the amount or type of damages, compensation or benefits payable by or for the party or any of its independent contractors under Workers' Compensation acts, disability benefit acts or other employee benefit acts.

6. Entire Agreement. The Parties intend this writing to be the sole, final, complete, exclusive and integrated expression and statement of the terms of their contract concerning the Property. This Agreement supersedes all prior oral or written negotiations, representations, contracts or other documents that may be related to the Property, except those other documents (if any) that are expressly referenced in this Agreement. This Agreement may be amended only by a subsequent written contract approved and signed by Parties.

7. Notices. Any notice, demand, invoice or other communication required or permitted to be given under this Agreement must be in writing and delivered either (a) in person, (b) by prepaid, first class U.S. mail, (c) by a nationally-recognized commercial overnight courier service that guarantees next day delivery and provides a receipt, or (d) by email with confirmed receipt. Such notices, etc. shall be addressed as follows:

If to RMCS D, to: Rancho Murieta Community Services District
 c/o General Manager
 P.O. Box 1050
 Rancho Murieta, CA 95683

If to RMA, to: Rancho Murieta Association
 c/o General Manager
 7191 Murieta Pkwy.
 Rancho Murieta, CA 95683

Notice given as above will be deemed given (a) when delivered in person, (b) three days after deposited in prepaid, first-class U.S. mail, (c) on the date of delivery as shown on the overnight courier service receipt, or (d) upon the sender's receipt of an email from the other party confirming the delivery of the notice, etc. Any party may change its contact information by notifying the other party of the change in the manner provided above.

8. Cooperation. Each party to this Agreement agrees to do all things that may be necessary, including, without limitation, the execution of all documents which may be required hereunder, in order to implement and effectuate this Agreement.

9. Interpretation of this Agreement. The Parties acknowledge that each party and its attorney have reviewed, negotiated and revised this Agreement and that the normal rule of construction to the effect that any ambiguities are to be resolved against the drafting party shall not be employed in the interpretation of this Agreement or any document executed and delivered by any party in connection with the transactions contemplated by this Agreement.

10. Recitals. The recitals at page 1 of this Agreement are true and correct and incorporated herein by this reference and made a part hereof.

11. Signature Authority. Each party warrants that the person signing this Agreement is authorized to act on behalf of the party for whom that person signs. The Parties may execute and deliver this Agreement and documents necessary to perform it, including task orders and amendments, in any number of original or facsimile counterparts. When each party has signed and delivered at least one counterpart to the other party, each counterpart shall be deemed an original and, taken together, the counterparts shall constitute one and the same document, which shall be binding and effective.

IN WITNESS WHEREOF, the Parties hereto have executed this Agreement on the day and year first above written.

Rancho Murieta Community Services District

By: _____

Timothy Maybee
President, Board of Directors

Rancho Murieta Association

By: _____

Scott Adams
President, Board of Directors



EXHIBIT A
Legal Description

EXHIBIT B

<p>Recording Requested By:</p> <p>Rancho Murieta Community Services District</p> <p>When Recorded, Please Mail This Document To:</p> <p>Rancho Murieta Community Services District P.O. Box 1050 Rancho Murieta, CA 95683</p> <p>No recording fee per Government Code §§ 6103 & 27383</p> <p>APN: 073-0190-107</p>	<p>- This Space For Recorder's Use Only -</p>
---	---

GRANT DEED

By this instrument dated __[date]__ __, for a valuable consideration, Rancho Murieta Community Services District, a California special district (Grantor), grants to Rancho Murieta Association, a California nonprofit corporation (Grantee), certain real property situated in the State of California, County of Sacramento, more particularly described in Exhibit A attached to this Deed and incorporated in it by this reference, subject, however, to: (a) taxes and assessments, both general and special, not now due and payable; (b) building and zoning ordinances, laws, regulations and restrictions by municipal or other governmental authority; (c) any and all leases, easements, rights-of-way, encumbrances, conditions, covenants, restrictions, reservations and exceptions of record; and (d) all matters including, but not limited to, road, highway, pipeline, railroad and utility easements which would be disclosed by a survey and inspection of the property.

Excepting from the property conveyed a perpetual, non-exclusive right-of-way easement in favor of Grantor for ingress and egress to the property.

Executed this _____, 2024.

Rancho Murieta Community Services District:

By: _____
Timothy Maybee
President, Board of Directors

Exhibit C

Title Report dated October 18, 2022

Order No.
2202072497-PL

Ref No.
Pedestrian Bridge

Guarantee No.
A04286-CTG-205977

CONDITION OF TITLE GUARANTEE

SUBJECT TO THE EXCLUSIONS FROM COVERAGE, AND THE GUARANTEE CONDITIONS ATTACHED HERETO AND MADE A PART OF THIS GUARANTEE,



OLD REPUBLIC NATIONAL TITLE INSURANCE COMPANY

GUARANTEES

the Assured named in Schedule A of this Guarantee against loss or damage not exceeding the Amount of Liability stated in Schedule A sustained by the Assured by reason of any incorrectness in the Assurances set forth in Schedule A:


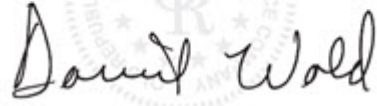
Dated: October 18th, 2022 at 8:00:00 AM

OLD REPUBLIC NATIONAL TITLE INSURANCE COMPANY
A Corporation
400 Second Avenue South, Minneapolis, Minnesota 55401
(612) 371-1111

Countersigned:

By 

Validating Officer

By  *C. Monroe* President
Attest  *David Wald* Secretary

Schedule A

Order No.	2202072497-PL
Ref. No.	Pedestrian Bridge
Guarantee No.	A04286-CTG-205977
Liability	\$ 500.00
Date of Guarantee	October 18th, 2022 at 8:00:00 AM
Fee	\$ 400.00

1. Name of Assured:

Rancho Murieta Community Services District and Coast Land Civil

2. The estate or interest in the Land which is covered by this Guarantee is:

Fee

3. The Land referred to in this Guarantee is situated in the unincorporated area of the County of Sacramento, State of California, and is described as follows:

A portion of Parcel 7 as shown on that "Amended Parcel Map-Amending Map filed in Book 117, Parcel Maps, Page 15" filed in [Book 123 of Parcel Maps, at Page 26](#) in the Office of the Recorder of Sacramento County, California described as follows:

Beginning at a point from which a 3/4" iron pipe at the centerline intersection of De La Cruz Drive and Granlee Lane as said intersection is shown on the "Plat of Rancho Murieta Unit No. 6" filed in [Book 213 of Maps at Page 6](#), Sacramento County Records bears North 12° 56' 25" East 417.25 feet to a point on the Northerly line of said Parcel 7 and the centerline of Granlee Lane as shown on said "Plat of Rancho Murieta Unit 6", and along said centerline, North 15° 05' 46" West 156.70 feet;

Thence from said point of beginning South 12° 12' 16" East 20.00 feet;

Thence South 77° 47' 44" West 130.91 feet;

Thence South 14° 17' 37" East 340.83 feet;

Thence North 75° 42' 23" East 50.00 feet;

Thence South 14° 17' 37" East 67.49 feet to a point on the Northerly line of an Easement Quitclaim Deed to Rancho Murieta Community Services District recorded in [Book 20040924, Page 1234](#), Sacramento County Records;

Thence along said Northerly line and along the arc of a curve to the left having a radius of 300.00 feet, through a central angle of 19° 26' 56", said arc being subtended by a chord of South 85° 03' 21" West 101.35 feet;

Thence continuing along said Northerly line and along the arc of a curve to the left having a radius of 300.00 feet, through a central angle of 16° 39' 24", said arc being subtended by a chord of South 67° 00' 11" West 86.91 feet;

Thence continuing along said Northerly line South 58° 40' 29" West 67.03 feet;

Thence leaving said Northerly line North 14° 17' 37" West 95.09 feet;

Page 2 of 11 Pages

OLD REPUBLIC NATIONAL TITLE INSURANCE COMPANY

Thence North 75° 42' 23" East 75.00 feet;

Thence North 14° 17' 37" West 404.15 feet;

Thence North 77° 47' 44" East 151.91 feet;

Thence South 12° 12' 16" East 30.00 feet;

Thence North 77° 47' 44" East 106.63 feet;

Thence South 12° 12' 16" East 20.00 feet to the point of beginning.

APN: 073-0190-107

4. Assurances:

According to the Public Records as of the Date of Guarantee,

- a. Title to the estate or interest in the Land is vested in:

Rancho Murieta Community Services District, a public entity chartered under California Government Code Sections 61000 et seq.

- b. Title to the estate or interest is subject to defects, liens or encumbrances shown in Schedule B which are not necessarily shown in the order of their priority.

Schedule B

Order No.	2202072497-PL
Ref. No.	Pedestrian Bridge
Guarantee No.	A04286-CTG-205977
Liability	\$ 500.00
Date of Guarantee	October 18th, 2022 at 8:00:00 AM
Fee	\$ 400.00

1. Taxes and assessments, general and special, are currently not assessed because of a statutory exemption. Should the statutory exemption change, taxes may be levied against the land.
2. The lien of supplemental taxes, if any, assessed pursuant to the provisions of Section 75, et seq., of the Revenue and Taxation Code of the State of California.
3. Assessments or charges that may be levied, of record or not, by the City or County of Sacramento. Further information on said assessments may be obtained by contacting the City at (916) 808-5454 or the County at (916) 875-5555. Specifically request current and delinquent charges.
4. Assessments that may be levied by the Rancho Murieta Utility District. Further information on said assessments may be obtained by contacting said district at (916) 354-3707. Specifically request current and delinquent charges.
5. Any adverse claim based upon the assertion that:
 - (a) Said land or any part thereof is now or at any time has been below the highest of the high water marks of the Consumnes River in the event the boundary of said Consumnes River has been artificially raised or is now or at any time has been below the high water mark, if Consumnes River is in its natural state.
 - (b) Some portion of said land has been created by artificial means or has accreted to such portion so created.
 - (c) Some portion of said land has been brought within the boundaries thereof by an avulsive movement of the Consumnes River, or has been formed by accretion to any such portion.
6. Any rights in favor of the public which may exist on said land if said land or portions thereof are or were at any time used by the public.
7. Any right, title, claims, or other interest, and such rights as may be incidental thereto, whether or not shown by the public records to the waters of Consumnes River.

8. Any easement for water course over that portion of said land lying within the banks of Consumnes River and any changes in the boundary lines of said land that have occurred or may hereafter occur from natural causes.

9. An easement affecting that portion of said land and for the purposes stated herein and incidental purposes as provided in the following

Granted To : Pacific Gas and Electric Company, a corporation, duly organized and existing under and by virtue of the laws of the State of California
For : Transmission and distribution of electricity
Recorded : [May 7, 1914 in Book 399 of Deeds, Page 343](#)
Affects : The exact location is not defined of record

Note: Reference is made to said instrument for full particulars.

10. An easement affecting that portion of said land and for the purposes stated herein and incidental purposes as provided in the following

Granted To : Pacific Gas and Electric Company, a California corporation
For : Transmission and distribution of electricity
Recorded : [July 29, 1936 in Book 586 of Official Records, Page 137](#)
Affects : A portion of said land

Note: Reference is made to said instrument for full particulars.

11. An easement affecting that portion of said land and for the purposes stated herein and incidental purposes as provided in the following

Granted To : Pacific Gas and Electric Company
For : Electrical facilities
Recorded : [May 2, 1939 in Book 749 of Official Records, Page 319](#)

Note: Reference is made to said instrument for full particulars.

12. An easement affecting that portion of said land and for the purposes stated herein and incidental purposes as provided in the following

Granted To : Josephine D. Granlees and Wells Fargo Bank, a Corporation, as Trustee under The Will of Arthur J. Granlees, deceased
For : Ingress and egress
Recorded : [February 24, 1965 in Book 5185 of Official Records, Page 45 under Recorder's Serial Number 15610](#)
Affects : A portion of said land

The present ownership of said easement and other matters affecting the interests thereto, if any, are not shown herein.

13. An easement affecting that portion of said land and for the purposes stated herein and incidental purposes as provided in the following

Instrument : Easement
Granted To : Josephine D. Granlees and Wells Fargo Bank, a Corporation, as
Trustee under The Will of Arthur J. Granlees, deceased
For : Right of Way Easement for Roadway
Recorded : [February 24, 1965 in Book 5185 of Official Records, Page 50 under
Recorder's Serial Number 15611](#)
Affects : A portion of said land

The present ownership of said easement and other matters affecting the interests thereto, if any, are not shown herein.

14. An easement affecting that portion of said land and for the purposes stated herein and incidental purposes as provided in the following

Instrument : Easement
Granted To : Bank of America, N.T.& S.A., as Corporate Co-Trustee of the Pension
Trust Fund for Operating Engineers
For : Diversion and conveyance water and to flow water
Recorded : [November 8, 1973 in Book 731108 of Official Records, Page 101
under Recorder's Serial Number 106261](#)

15. An easement affecting that portion of said land and for the purposes stated herein and incidental purposes as provided in the following

Instrument : Easement
Granted To : Rancho Murieta Association, a California corporation
For : Pedestrian Ingress and egress
Recorded : [April 15, 1974 in Book 740415 of Official Records, Page 303 under
Recorder's Serial Number 30742](#)
Affects : A portion of said land

16. An easement affecting that portion of said land and for the purposes stated herein and incidental purposes as provided in the following

Instrument : Easement
Granted To : Rancho Murieta Association, a California corporation
For : Vehicular and Pedestrian temporary road
Recorded : [April 15, 1974 in Book 740415 of Official Records, Page 308 under
Recorder's Serial Number 30743](#)

17. An unrecorded agreement for maintenance and regulation as contained in Paragraph VI of an agreement dated December 27, 1978 between Rancho Murieta Properties, Inc. and the County of Sacramento, as disclosed by an instrument recorded July 17, 1979, [in Book 790717, Page 1232](#), Official Records.

18. An easement affecting that portion of said land and for the purposes stated herein and incidental purposes as provided in the following

Granted To : The County of Sacramento
For : Public access easement for park purposes with the reservation of right to alter boundary line
Recorded : [July 17, 1979 in Book 790717 of Official Records, Page 1232 under Recorder's Serial Number 118596](#)
Affects : A portion of said land

19. Matters as contained or referred to in an instrument,

Entitled : Resolution No. 78-1490
Executed By : Sacramento County and Rancho Murieta Properties, Inc.
Dated : December 27, 1978
Recorded : [December 27, 1978 in Book 791025 of Official Records, Page 1092 under Recorder's Serial Number 182595](#)
Which Among Other Things Provides : To convey and to dedicate to Sacramento County lands and river access easements in Rancho Murieta

20. An easement affecting that portion of said land and for the purposes stated herein and incidental purposes as provided in the following

Instrument : Resolution No. 79-1041
Reserved By : County of Sacramento
For : Walkway
Recorded : [October 25, 1979 in Book 791025 of Official Records, Page 1144 under Recorder's Serial Number 182598](#)
Affects : A 6 foot wide walkway on bridge

21. Matters as contained or referred to in an instrument,

Entitled : An Agreement for Available and Use of Reclaimed Wastewater
Executed By : Rancho Murieta Community Services District, Rancho Murieta Properties, Inc., Rancho Murieta Country Club, and CBC Builders Inc.
Recorded : [May 17, 1988 in Book 880517 of Official Records, Page 1871 under Recorder's Serial Number 103731](#)

And as modified by an instrument, executed by Rancho Murieta Community Services District, Rancho Murieta Country Club, Rancho Murieta Properties, Inc. and CBC Builders Inc., recorded [May 4, 1994 in Book 940504 of Official Records, Page 873](#)

22. Recitals as shown or noted on the filed map.

23. An easement affecting that portion of said land and for the purposes stated herein and incidental purposes as provided in the following

Granted To : Rancho Murieta Community Services District
For : Levee Maintenance Easement
Recorded : [July 30, 1990 in Book 900730 of Official Records, Page 1503](#)
Affects : A portion of said land

24. Matters as contained or referred to in an instrument,

Entitled : Park Development Agreement
Executed By : Rancho Murieta Association, Rancho Murieta Community Services District, Rancho Murieta Properties, Inc., CBC Builders, Inc., and SHF, Inc.
Dated : February 20, 1991
Recorded : [February 21, 1991 in Book 910221 of Official Records, Page 1274](#)

25. An easement affecting that portion of said land and for the purposes stated herein and incidental purposes as provided in the following

Granted To : Sacramento Municipal Utility District and Pacific Bell
For : Public utilities
Recorded : [August 15, 1991 in Book 910815 of Official Records, Page 818](#)
Affects : A portion of said land

26. An easement affecting that portion of said land and for the purposes stated herein and incidental purposes as provided in the following

Granted To : Rancho Murieta Community Services District
For : Public utilities and Water and Pump Station site
Recorded : [January 25, 1994 in Book 940125 of Official Records, Page 1830](#)
Affects : The Northerly portion of said land

27. An easement affecting that portion of said land and for the purposes stated herein and incidental purposes as provided in the following
- Instrument : Easement
Granted To : Rancho Murieta Community Services District
For : Road and public utilities
Recorded : [September 24, 2004 in Book 20040924 of Official Records, Page 1219](#)
28. Matters as contained or referred to in an instrument,
- Entitled : Easement Quitclaim Deed
Executed By : PTF for Operating Engineers LLC, a Delaware limited liability company and Rancho Murieta Community Services District
Recorded : [September 24, 2004 in Book 20040924 of Official Records, Page 1229](#)
29. Matters as contained or referred to in an instrument,
- Entitled : Easement Quitclaim Deed
Executed By : Rancho North Properties, LLC, a California limited liability company and PTF for Operating Engineers LLC, a Delaware limited liability company and Rancho Murieta Community Services District
Recorded : [September 24, 2004 in Book 20040924 of Official Records, Page 1234](#)
30. Matters as contained or referred to in an instrument,
- Entitled : Easement Quitclaim Deed
Executed By : Rancho North Properties, LLC, a California limited liability company and PTF for Operating Engineers LLC, a Delaware limited liability company and Rancho Murieta Community Services District
Recorded : [September 24, 2004 in Book 20040924 of Official Records, Page 1235](#)
31. Matters as contained or referred to in an instrument,
- Entitled : Easement Quitclaim Deed
Executed By : Rancho North Properties, LLC, a California limited liability company and PTF for Operating Engineers LLC, a Delaware limited liability company
Recorded : [September 24, 2004 in Book 20040924 of Official Records, Page 1238](#)

32. Matters as contained or referred to in an instrument,
Entitled : Easement Quitclaim Deed
Executed By : Rancho North Properties, LLC, a California limited liability company
and PTF for Operating Engineers LLC, a Delaware limited liability
company
Recorded : [September 24, 2004 in Book 20040924 of Official Records, Page 1239](#)

33. An easement affecting that portion of said land and for the purposes stated herein and
incidental purposes as provided in the following
Instrument : Grant Deed
Reserved By : PTF for Operating Engineers, LLC, a Delaware limited liability
company
For : Use of, access and ingress to, and egress from, the Remainder Lands
across the Bridge Site shall be limited to pedestrian, bicycle and/or
golf cart uses
Recorded : [May 30, 2006 in Book 20060530 of Official Records, Page 1844](#)
Affects : A portion of said land

Upon the terms and conditions contained therein.

34. An easement affecting that portion of said land and for the purposes stated herein and
incidental purposes as provided in the following
Granted To : Rancho Murieta Association, a California nonprofit mutual benefit
corporation
For : Access for pedestrian, bicycle and occasional golf cart traffic in and
over the Birdge Improvements
Recorded : [May 30, 2006 in Book 20060530 of Official Records, Page 1845](#)
Affects : The exact location of easement is not defined of record

Upon the terms and conditions contained therein.

35. Matters as contained or referred to in an instrument,
Entitled : Easement Agreement
Executed By : PRF for Operating Engineers, LLC, a Delaware limited liability
company and Rancho Murieta Association, a California nonprofit
mutual benefit corporation
Recorded : [May 30, 2006 in Book 20060530 of Official Records, Page 1846](#)

36. Water rights, claims or title to water, whether or not shown by the public records.

EXCLUSIONS FROM COVERAGE (Revised 06-05-14)

Except as expressly provided by the assurances in Schedule A, the Company assumes no liability for loss or damage by reason of the following:

- (a) Defects, liens, encumbrances, adverse claims or other matters affecting the title to any property beyond the lines of the Land.
- (b) Defects, liens, encumbrances, adverse claims or other matters, whether or not shown by the Public Records
 - (1) that are created, suffered, assumed or agreed to by one or more of the Assureds; or
 - (2) that result in no loss to the Assured.
- (c) Defects, liens, encumbrances, adverse claims or other matters not shown by the Public Records.
- (d) The identity of any party shown or referred to in any of the schedules of this Guarantee.
- (e) The validity, legal effect or priority of any matter shown or referred to in any of the schedules of this Guarantee.
- (f) (1) Taxes or assessments of any taxing authority that levies taxes or assessments on real property; or,
 - (2) proceedings by a public agency which may result in taxes or assessments, or notices of such proceedings, whether or not the matters excluded under (1) or (2) are shown by the records of the taxing authority or by the Public Records.
- (g) (1) Unpatented mining claims;
 - (2) reservations or exceptions in patents or in Acts authorizing the issuance thereof;
 - (3) water rights, claims or title to water, whether or not the matters excluded under (1), (2) or (3) are shown by the Public Records.

GUARANTEE CONDITIONS

1. DEFINITION OF TERMS

The following terms when used in the Guarantee mean:

- (a) "the Assured": the party or parties named as the Assured in this Schedule A, or on a supplemental writing executed by the Company.
- (b) "Land": the Land described or referred to in Schedule A, and improvements affixed thereto which by law constitute real property. The term "land" does not include any property beyond the lines of the area described or referred to in Schedule A, nor any right, title, interest estate or easement in abutting streets, roads, avenues, alleys, lanes, ways or waterways.
- (c) "Mortgage": mortgage, deed of trust, trust deed, or other security instrument.
- (d) "Public Records": those records established under state statutes at Date of Guarantee for the purpose of imparting constructive notice of matters relating to real property to purchasers for value and without knowledge.
- (e) "Date of Guarantee": the Date of Guarantee set forth in Schedule A.
- (f) "Amount of Liability": the Amount as stated in Schedule A.

2. NOTICE OF CLAIM TO BE GIVEN BY ASSURED

An Assured shall notify the Company promptly in writing in case knowledge shall come to the Assured of any assertion of facts, or claim of title or interest that is contrary to the assurances set forth in Schedule A and that might cause loss or damage for which the Company may be liable under this Guarantee. If prompt notice shall not be given to the Company, then all liability of the Company shall terminate with regard to the matter or matters for which prompt notice is required; provided, however, that failure to notify the Company shall in no case prejudice the rights of the Assured under this Guarantee unless the Company shall be prejudiced by the failure and then only to the extent of the prejudice.

3. NO DUTY TO DEFEND OR PROSECUTE

The Company shall have no duty to defend or prosecute any action or proceeding to which the Assured is a party, notwithstanding the nature of any allegation in such action or proceeding.

4. COMPANY'S OPTION TO DEFEND OR PROSECUTE ACTIONS; DUTY OF ASSURED TO COOPERATE

Even though the Company has no duty to defend or prosecute as set forth in Paragraph 3 above:

- (a) The Company shall have the right, at its sole option and cost, to institute and prosecute any action or proceeding, interpose a defense, as limited in Paragraph 4(b), or to do any other act which in its opinion may be necessary or desirable to establish the correctness of the assurances set forth in Schedule A or to prevent or reduce loss or damage to the Assured. The Company may take any appropriate action under the terms of this Guarantee, whether or not it shall be liable hereunder, and shall not thereby concede liability or waive any provision of this Guarantee. If the Company shall exercise its rights under this paragraph, it shall do so diligently.
- (b) If the Company elects to exercise its options as stated in Paragraph 4(a) the Company shall have the right to select counsel of its choice (subject to the right of the Assured to object for reasonable cause) to represent the Assured and shall not be liable for and will not pay the fees of any other counsel, nor will the Company pay any fees, costs or expenses incurred by an Assured in the defense of those causes of action which allege matters not covered by this Guarantee.
- (c) Whenever the Company shall have brought an action or interposed a defense as permitted by the provisions of this Guarantee, the Company may pursue any litigation to final determination by a court of competent jurisdiction and expressly reserves the right, in its sole discretion, to appeal from an adverse judgment or order.

GUARANTEE CONDITIONS (Continuation)

(d) In all cases where this Guarantee permits the Company to prosecute or provide for the defense of any action or proceeding, the Assured shall secure to the Company the right to so prosecute or provide for the defense of any action or proceeding, and all appeals therein, and permit the Company to use, at its option, the name of such Assured for this purpose. Whenever requested by the Company, the Assured, at the Company's expense, shall give the Company all reasonable aid in any action or proceeding, securing evidence, obtaining witnesses, prosecuting or defending the action or lawful act which in the opinion of the Company may be necessary or desirable to establish the correctness of the assurances set forth in Schedule A or to prevent or reduce loss or damage to the Assured. If the Company is prejudiced by the failure of the Assured to furnish the required cooperation, the Company's obligations to the Assured under the Guarantee shall terminate.

5. PROOF OF LOSS OR DAMAGE

(a) In the event the Company is unable to determine the amount of loss or damage, the Company may, at its option, require as a condition of payment that the Assured furnish a signed proof of loss. The proof of loss must describe the defect, lien, encumbrance, or other matter that constitutes the basis of loss or damage and shall state, to the extent possible, the basis of calculating the amount of the loss or damage.

(b) In addition, the Assured may reasonably be required to submit to examination under oath by any authorized representative of the Company and shall produce for examination, inspection and copying, at such reasonable times and places as may be designated by any authorized representative of the Company, all records, books, ledgers, checks, correspondence and memoranda, whether bearing a date before or after Date of Guarantee, which reasonably pertain to the loss or damage. Further, if requested by any authorized representative of the Company, the Assured shall grant its permission, in writing, for any authorized representative of the Company to examine, inspect and copy all records, books, ledgers, checks, correspondence and memoranda in the custody or control of a third party, which reasonably pertain to the loss or damage. All information designated as confidential by the Assured provided to the Company pursuant to this paragraph shall not be disclosed to others unless, in the reasonable judgment of the Company, it is necessary in the administration of the claim. Failure of the Assured to submit for examination under oath, produce other reasonably requested information or grant permission to secure reasonably necessary information from third parties as required in the above paragraph, unless prohibited by law or governmental regulation, shall terminate any liability of the Company under this Guarantee to the Assured for that claim.

6. OPTIONS TO PAY OR OTHERWISE SETTLE CLAIMS: TERMINATION OF LIABILITY

In case of a claim under this Guarantee, the Company shall have the following additional options:

(a) To pay or tender payment of the Amount of Liability together with any costs, attorneys' fees, and expenses incurred by the Assured that were authorized by the Company

up to the time of payment or tender of payment and that the Company is obligated to pay.

(b) To pay or otherwise settle with the Assured any claim assured against under this Guarantee. In addition, the Company will pay any costs, attorneys' fees, and expenses incurred by the Assured that were authorized by the Company up to the time of payment or tender of payment and that the Company is obligated to pay; or

(c) To pay or otherwise settle with other parties for the loss or damage provided for under this Guarantee, together with any costs, attorneys' fees, and expenses incurred by the Assured that were authorized by the Company up to the time of payment and that the Company is obligated to pay.

Upon the exercise by the Company of either of the options provided for in 6 (a), (b) or (c) of this paragraph the Company's obligation to the Assured under this Guarantee for the claimed loss or damage, other than the payments required to be made, shall terminate, including any duty to continue any and all litigation initiated by the Company pursuant to Paragraph 4.

7. LIMITATION OF LIABILITY

(a) This Guarantee is a contract of Indemnity against actual monetary loss or damage sustained or incurred by the Assured claimant who has suffered loss or damage by reason of reliance upon the assurances set forth in Schedule A and only to the extent herein described, and subject to the Exclusions From Coverage of this Guarantee.

(b) If the Company, or the Assured under the direction of the Company at the Company's expense, removes the alleged defect, lien or, encumbrance or cures any other matter assured against by this Guarantee in a reasonably diligent manner by any method, including litigation and the completion of any appeals therefrom, it shall have fully performed its obligations with respect to that matter and shall not be liable for any loss or damage caused thereby.

(c) In the event of any litigation by the Company or with the Company's consent, the Company shall have no liability for loss or damage until there has been a final determination by a court of competent jurisdiction, and disposition of all appeals therefrom.

(d) The Company shall not be liable for loss or damage to the Assured for liability voluntarily assumed by the Assured in settling any claim or suit without the prior written consent of the Company.

8. REDUCTION OF LIABILITY OR TERMINATION OF LIABILITY

All payments under this Guarantee, except payments made for costs, attorneys' fees and expenses pursuant to Paragraph 4 shall reduce the Amount of Liability under this Guarantee pro tanto.

9. PAYMENT OF LOSS

(a) No payment shall be made without producing this Guarantee for endorsement of the payment unless the Guarantee has been lost or destroyed, in which case proof of loss or destruction shall be furnished to the satisfaction of the Company.

GUARANTEE CONDITIONS (Continuation)

(b) When liability and the extent of loss or damage has been definitely fixed in accordance with these Conditions, the loss or damage shall be payable within thirty (30) days thereafter.

(c) No amendment of or endorsement to this Guarantee can be made except by a writing endorsed hereon or attached hereto signed by either the President, a Vice President, the Secretary, an Assistant Secretary, or validating officer or authorized signatory of the Company.

10. SUBROGATION UPON PAYMENT OR SETTLEMENT

Whenever the Company shall have settled and paid a claim under this Guarantee, all right of subrogation shall vest in the Company unaffected by any act of the Assured claimant. The Company shall be subrogated to and be entitled to all rights and remedies which the Assured would have had against any person or property in respect to the claim had this Guarantee not been issued. If requested by the Company, the Assured shall transfer to the Company all rights and remedies against any person or property necessary in order to perfect this right of subrogation. The Assured shall permit the Company to sue, compromise or settle in the name of the Assured and to use the name of the Assured in any transaction or litigation involving these rights or remedies. If a payment on account of a claim does not fully cover the loss of the Assured the Company shall be subrogated to all rights and remedies of the Assured after the Assured shall have recovered its principal, interest, and costs of collection.

11. ARBITRATION

Either the Company or the Assured may demand that the claim or controversy shall be submitted to arbitration pursuant to the Title Insurance Arbitration Rules of the American Land Title Association ("Rules"). Except as provided in the Rules, there shall be no joinder or consolidation with claims or controversies of other persons. Arbitrable matters may include, but are not limited to, any controversy or claim between the Company and the Assured arising out of or relating to this Guarantee, any service of the Company in connection with its issuance or the breach of a Guarantee provision, or to any other controversy or claim arising out of the transaction giving rise to this Guarantee. All arbitrable matters when the amount of liability is \$2,000,000 or less shall be arbitrated at the option of either the Company or the Assured. All arbitrable matters when the amount of liability is in excess of \$2,000,000 shall be arbitrated only when agreed to by both the Company and the Assured. Arbitration pursuant to this Guarantee and under the Rules shall be binding upon the parties. Judgment upon the award rendered by the Arbitrator(s) may be entered in any court of competent jurisdiction.

12. LIABILITY LIMITED TO THIS GUARANTEE; GUARANTEE ENTIRE CONTRACT

(a) This Guarantee together with all endorsements, if any, attached hereto by the Company is the entire Guarantee and contract between the Assured and the Company. In interpreting any provision of this Guarantee, this Guarantee shall be construed as a whole.

(b) Any claim of loss or damage, whether or not based on negligence, or any action asserting such claim, shall be restricted to this Guarantee.

13. SEVERABILITY

In the event any provision of this Guarantee, in whole or in part, is held invalid or unenforceable under applicable law, the Guarantee shall be deemed not to include that provision or such part held to be invalid, but all other provisions shall remain in full force and effect.

14. CHOICE OF LAW; FORUM

(a) Choice of Law: The Assured acknowledges the Company has underwritten the risks covered by this Guarantee and determined the premium charged therefore in reliance upon the law affecting interests in real property and applicable to the interpretation, rights, remedies, or enforcement of Guaranties of the jurisdiction where the Land is located. Therefore, the court or an arbitrator shall apply the law of the jurisdiction where the Land is located to determine the validity of claims that are adverse to the Assured and to interpret and enforce the terms of this Guarantee. In neither case shall the court or arbitrator apply its conflicts of law principles to determine the applicable law.

(b) Choice of Forum: Any litigation or other proceeding brought by the Assured against the Company must be filed only in a state or federal court within the United States of America or its territories having appropriate jurisdiction.

15. NOTICES, WHERE SENT

All notices required to be given the Company and any statement in writing required to be furnished the Company shall include the number of this Guarantee and shall be addressed to the Company at the office which issued this Guarantee or to its Home Office at 400 Second Avenue South, Minneapolis, Minnesota 55401-2499, (612) 371-1111.